

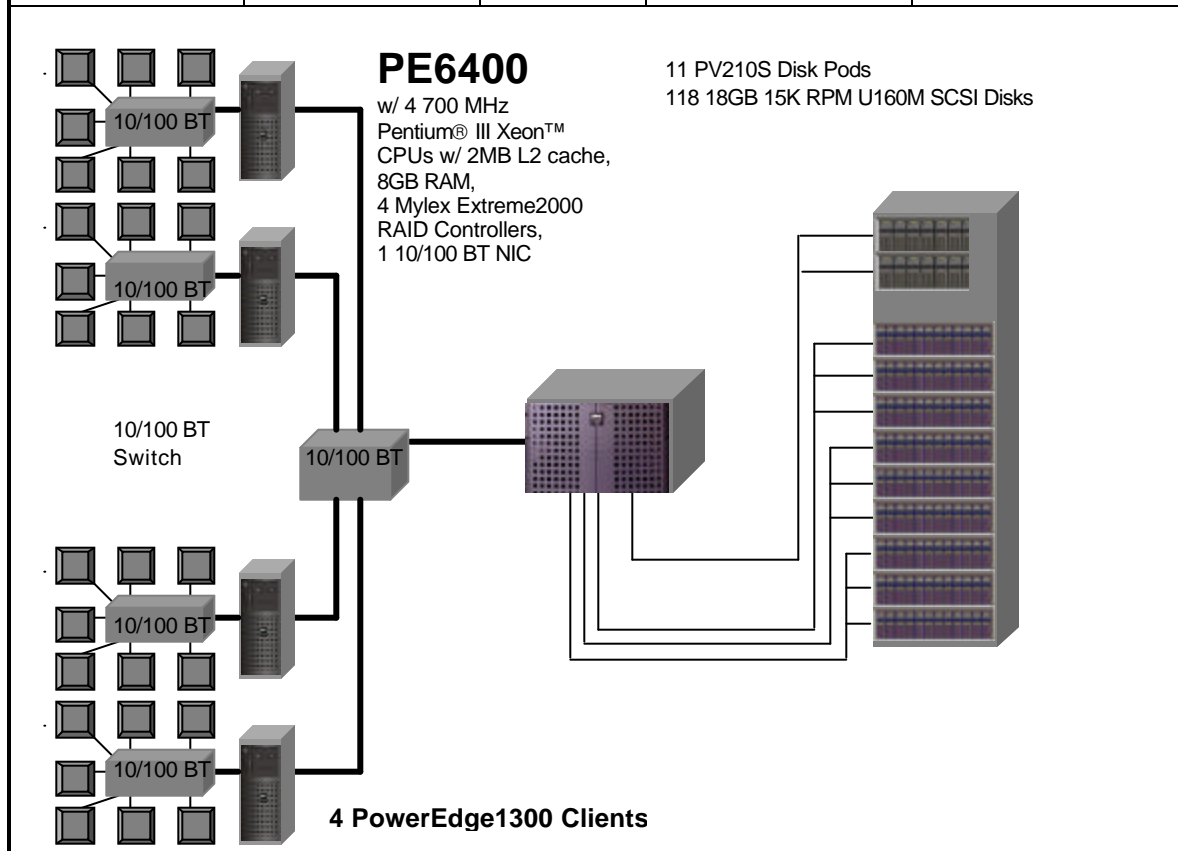


# PowerEdge 6450

Client/Server w/4 PE1300 Front Ends  
Repricing date  
Sept 26, 2001

TPC-C Rev 5.0  
Repricing  
Report Date  
Oct 23, 2000

Total System Cost		TPC-C Throughput	Price/Performance	Availability Date
<b>\$210,862</b>		<b>30,231.37 tpmC</b>	<b>\$6.98/ tpmC</b>	<b>Oct 23, 2000</b>
Processors	Database Manager	OS	Other Software	Number of Users
4 x Pentium® III Xeon™ Processors 700 MHz 2MB L2 Cache	Microsoft SQL Server 2000 Enterprise Edition	Microsoft Windows 2000 Advanced Server	Windows 2000 Server w/ COM+ Internet Information Server 5.0 Microsoft Visual C++	<b>24,320</b>



System Component	Server		Each Client	
Processors	4	Pentium® III Xeon™ @ 700MHz	1	Pentium® III w/ 512 KB L2
Cache		2MB		3 clients @ 600MHz, 1 @ 550
Memory		8192 MB		512 MB
Disk Controllers	4	Mylex ExtremeRAID 2000	1	Adaptec On-Board
	2	Adaptec On-Board		
Disk Drives	118	18 GB SCSI	1	9 GB
	1	9 GB SCSI		
Total Storage		1,985 GB		9 GB
Other	1	10/100 BT NIC	2	
	1	CD-ROM	1	
	1	Internal DAT		

<b>Dell</b>	<b>PowerEdge 6450</b>	<b>TPC-C REV 5.0 EXECUTIVE SUMMARY PAGE 2 OF 2</b>
Upgrade Date: 19-March-01	Client/Server	Report Date: 26-Sept-01

Description	Part Number	Third Party	Unit Price	Qty	Extended Price	3 yr. Maint. Price
		Brand Pricing				
<b>Server Hardware</b>						
Dell PowerEdge 6400	220-0663		1	4,546	1	4,546 1,100
Pentium III Xeon 700 MHz / 2MB L2 - 4 processors	311-0834		1	7,845	1	7,845 -
8 GB RAM, 16 x 512MB DIMMS	311-4118		1	10,855	1	10,855 -
9 GB U160M SCSI 10K RPM Hard Drive	340-8088		1	249	1	249 -
Intel Pro 100+ NIC	430-1970	Intel	1	59	1	59 -
Tape Backup Unit	340-7420		1	999	1	999 -
Dell 15" Monitor	320-0960		1	149	1	149 -
Extreme RAID 2000 PCI SCSI 4 channel RAID controller***	E2000-4-32NB	Mylex	3	1,849	6	11,094 -
Back-UPS Office 650	001332	APC	1	167	13	2,170 539
					<b>Subtotal</b>	<b>37,966 1,639</b>
<b>PowerVault Disk Subsystem</b>						
PV210S, U3 SCSI, PS, Rack mount	220-4099, etc.		1	2,499	11	27,489 8,404
SCSI Cables	310-0313		1	49	11	539 -
18 GB U160M SMRT SCSI 15K RPM Hard Drive *	340-3232		1	499	118	58,882 -
42U Rack	220-0605		1	1,294	1	1,294 -
					<b>Subtotal</b>	<b>88,204 8,404</b>
<b>Server Software</b>						
SQL Server 2000 Ent Edition, Per processor licensing **		Microsoft	2	16,541	4	66,164 6,285
Windows 2000 Advanced Server, 25 Client Licenses **		Microsoft	2	2,399	1	2,399 -
					<b>Subtotal</b>	<b>68,563 6,285</b>
<b>Client Hardware</b>						
Dell PowerEdge 1300, 600 MHz Pentium III w/ 512KB L2****	220-2332		1	549	3	1,647 1,494
Dell PowerEdge 1300, 550 MHz Pentium III w/ 512KB L2****	220-2332		1	549	1	549 498
512MB RAM, 2 DIMMs	311-1108		1	490	4	1,960 -
9GB LVD SCSI Hard Drive,	340-1963		1	249	4	996 -
Ether Express PRO 100+ Ethernet Adapter	430-1970	Intel	1	59	8	472 -
Dell 15" Monitor	320-0960		1	149	4	596 -
					<b>Subtotal</b>	<b>6,220 1,992</b>
<b>Client Software</b>						
Windows 2000 Server, 5 Client Licenses **		Microsoft	2	738	4	2,952 -
Visual C++ Professional 6.0 Win32 **		Microsoft	2	549	1	549 -
					<b>Subtotal</b>	<b>3,501 -</b>
<b>User Connectivity</b>						
8 Port Ethernet Switch ***	CT2208D3	ArkPC	4	61	3	183 -
					<b>Subtotal</b>	<b>183 -</b>
					<b>Other Discounts</b>	<b>(12,096) -</b>
					<b>Total</b>	<b>192,541 18,320</b>

Notes: * Maint. included in PowerVault 210S disk pod or PV650F/630F fibre channel disk pod	<b>Three-Year Cost of Ownership: \$210,861</b>
** All Microsoft maintenance is covered by the maintenance costs of Microsoft SQL Server	
*** 10% or minimum 2 spares are added in place of onsite service (products have a five year return-to-vendor warranty) Pricing: 1 - Dell 2 - Microsoft 3 - Mylex 4 - ArkPC 5 - MicroBarn	<b>tpmC Rating: 30231.00</b>
**** Substituted with PE1400SC/933Mhz/P3 /256KB L2	
<b>Audited by Tom Sawyer, Performance Metrics Inc.</b>	<b>\$/tpmC: 6.98</b>

Prices used in TPC benchmarks reflect the actual prices a customer would pay for a one-time purchase of the stated components. Individually negotiated discounts are not permitted. Special prices based on assumptions about past or future purchases are not permitted. All discounts reflect standard pricing policies for the listed components. For complete details, see the pricing sections of the TPC benchmark specifications. If you find that the stated prices are not available according to these items, please inform the TPC at [pricing@tpc.org](mailto:pricing@tpc.org).

according to these items, please inform the TPC at [pricing@tpc.org](mailto:pricing@tpc.org).

<b>MQTh</b> , computed Maximum Qualified Throughput		30,231.37	
		tpmC	
% throughput difference, reported & reproducibility runs		0.47%	
<b>Response Times</b> (in seconds)			
	Average	90th	Max
- Neworder	0.48	0.86	5.54
- Payment	0.38	0.76	2.73
- Order Status	0.41	0.79	5.45
- Delivery (interactive portion)	0.16	0.34	1.30
- Delivery (deferred portion)	0.32	0.55	1.86
- Stock-Level	1.37	2.18	5.12
- Menu	0.17	0.35	1.32
Response time delay added for emulated components			Menu 0.1
			Resp 0.1
<b>Transaction Mix</b> , in percent of total transactions			
- New-Order			44.84%
- Payment			43.02 %
- Order-Status			4.04 %
- Delivery			4.05 %
- Stock-Level			4.05 %
<b>Keying/Think Times</b> (in seconds),			
	Min	Average	Max
- New-Order	18.01 0.0	18.02 12.04	18.05 120.41
- Payment	3.01 0.0	3.02 12.04	3.02 120.41
- Order-Status	2.01 0.0	2.02 10.02	2.04 100.41
- Delivery	2.01 0.0	2.02 5.06	2.05 50.40
- Stock-Level	2.01 0.0	2.02 5.06	2.04 50.40
<b>Test Duration</b>			
- Ramp-up time			5 minutes
- Measurement interval			30 minutes
- Number of checkpoints			1
- Checkpoint interval			30 minutes
- Number of transactions (all types)			
completed in measurement interval			2,104,156