

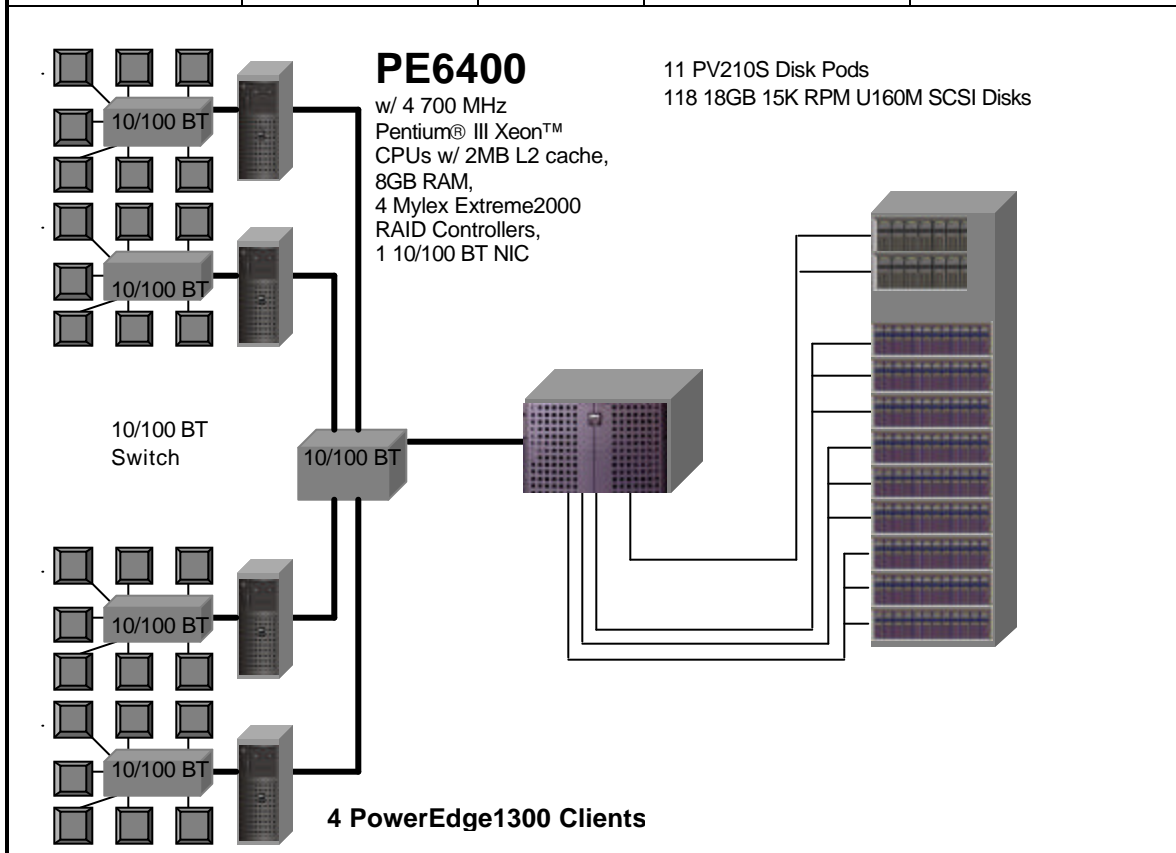


PowerEdge 6400

Client/Server w/4 PE1300 Front Ends
Repricing date
Sept 26, 2001

TPC-C Rev 5.0
Repricing
Report Date
Oct 23, 2000

Total System Cost		TPC-C Throughput	Price/Performance	Availability Date
\$211,426		30,231.37 tpmC	\$7.00/ tpmC	Oct 23, 2000
Processors	Database Manager	OS	Other Software	Number of Users
4 x Pentium® III Xeon™ Processors 700 MHz 2MB L2 Cache	Microsoft SQL Server 2000 Enterprise Edition	Microsoft Windows 2000 Advanced Server	Windows 2000 Server w/ COM+ Internet Information Server 5.0 Microsoft Visual C++	24,320



System Component	Server		Each Client	
Processors	4	Pentium® III Xeon™ @ 700MHz	1	Pentium® III w/ 512 KB L2
Cache		2MB		3 clients @ 600MHz, 1 @ 550
Memory		8192 MB		512 MB
Disk Controllers	4	Mylex ExtremeRAID 2000	1	Adaptec On-Board
	2	Adaptec On-Board		
Disk Drives	118	18 GB SCSI	1	9 GB
	1	9 GB SCSI		
Total Storage		1,985 GB		9 GB
Other	1	10/100 BT NIC	2	
	1	CD-ROM	1	
	1	Internal DAT		

Upgrade Date: 19-March-01	Client/Server	Report Date: 26-Sept-01
---------------------------	---------------	-------------------------

Description	Part Number	Third Party	Unit Price	Qty	Extended Price	3 yr. Maint. Price
		Brand Pricing				
Server Hardware						
Dell PowerEdge 6400	220-0660		5,132	1	5,132	1,100
Pentium III Xeon 700 MHz / 2MB L2 - 4 processors	311-0834		7,845	1	7,845	-
8 GB RAM, 16 x 512MB DIMMS	311-4118		10,855	1	10,855	-
6 Bay HD Back Plane	311-0485		249	1	249	-
9 GB U160M SCSI 10K RPM Hard Drive	340-8088		249	1	249	-
Intel Pro 100+ NIC	430-1970	Intel	59	1	59	-
Tape Backup Unit	340-7467		799	1	799	-
Dell 15" Monitor	320-0960		149	1	149	-
Extreme RAID 2000 PCI SCSI 4 channel RAID controller***	E2000-4-32NB	Mylex	1,849	6	11,094	-
Back-UPS Office 650	001332	APC	167	13	2,170	539
				Subtotal	38,601	1,639
PowerVault Disk Subsystem						
PV210S, U3 SCSI, PS, Rack mount	220-4099, etc.		2,499	11	27,489	8,404
SCSI Cables	310-0313		49	11	539	-
18 GB U160M SMRT SCSI 15K RPM Hard Drive *	340-3232		499	118	58,882	-
42U Rack	220-0605		1,294	1	1,294	-
				Subtotal	88,204	8,404
Server Software						
SQL Server 2000 Ent Edition, Per processor licensing **		Microsoft	16,541	4	66,164	6,285
Windows 2000 Advanced Server, 25 Client Licenses **		Microsoft	2,399	1	2,399	-
				Subtotal	68,563	6,285
Client Hardware						
Dell PowerEdge 1300, 600 MHz Pentium III w/ 512KB L2****	220-2332		549	3	1,647	1,494
Dell PowerEdge 1300, 550 MHz Pentium III w/ 512KB L2****	220-2332		549	1	549	498
512MB RAM, 2 DIMMs	311-1108		490	4	1,960	-
9GB LVD SCSI Hard Drive,	340-1963		249	4	996	-
Ether Express PRO 100+ Ethernet Adapter	430-1970	Intel	59	8	472	-
Dell 15" Monitor	320-0960		149	4	596	-
				Subtotal	6,220	1,992
Client Software						
Windows 2000 Server, 5 Client Licenses **		Microsoft	738	4	2,952	-
Visual C++ Professional 6.0 Win32 **		Microsoft	549	1	549	-
				Subtotal	3,501	-
User Connectivity						
8 Port Ethernet Switch ****	CT2208D3	ArkPC	61	3	183	-
				Subtotal	183	-
				Other Discounts	(12,166)	-
				Total	193,106	18,320

Notes: * Maint. included in PowerVault 210S disk pod or PV650F/630F fibre channel disk pod ** All Microsoft maintenance is covered by the maintenance costs of Microsoft SQL Server *** 10% or minimum 2 spares are added in place of onsite service (products have a five year return-to-vendor warranty) Pricing: 1 - Dell 2 - Microsoft 3 - Mylex 4 - ArkPC 5 - MicroBarn **** Substituted with PE1400SC/933Mhz/P3 /256KB L2 Audited by Tom Sawyer, Performance Metrics Inc.	Three-Year Cost of Ownership: \$211,426 tpmC Rating: 30231.00 \$ / tpmC: 7.00
--	--

Prices used in TPC benchmarks reflect the actual prices a customer would pay for a one-time purchase of the stated components. Individually negotiated discounts are not permitted. Special prices based on assumptions about past or future purchases are not permitted. All discounts reflect standard pricing policies for the listed components. For complete details, see the pricing sections of the TPC benchmark specifications. If you find that the stated prices are not available according to these items, please inform the TPC at pricing@tpc.org.

MQTh , computed Maximum Qualified Throughput		30,231.37	
		tpmC	
% throughput difference, reported & reproducibility runs		0.47%	
Response Times (in seconds)	Average	90th	Max
- Neworder	0.48	0.86	5.54
- Payment	0.38	0.76	2.73
- Order Status	0.41	0.79	5.45
- Delivery (interactive portion)	0.16	0.34	1.30
- Delivery (deferred portion)	0.32	0.55	1.86
- Stock-Level	1.37	2.18	5.12
- Menu	0.17	0.35	1.32
Response time delay added for emulated components		Menu 0.1 Resp 0.1	
Transaction Mix , in percent of total transactions			
- New-Order	44.84%		
- Payment	43.02 %		
- Order-Status	4.04 %		
- Delivery	4.05 %		
- Stock-Level	4.05 %		
Keying/Think Times (in seconds),	Min	Average	Max
- New-Order	18.01 0.0	18.02 12.04	18.05 120.41
- Payment	3.01 0.0	3.02 12.04	3.02 120.41
- Order-Status	2.01 0.0	2.02 10.02	2.04 100.41
- Delivery	2.01 0.0	2.02 5.06	2.05 50.40
- Stock-Level	2.01 0.0	2.02 5.06	2.04 50.40
Test Duration			
- Ramp-up time	5 minutes		
- Measurement interval	30 minutes		
- Number of checkpoints	1		
- Checkpoint interval	30 minutes		
- Number of transactions (all types) completed in measurement interval	2,104,156		