

**TPC Benchmark[®] C
Full Disclosure Report
for
Dell PowerEdge 6600
Using
Microsoft SQL Server 2000 8.0 Enterprise
Edition
and
Microsoft Windows 2000 Advanced Server**

First Edition
Submitted for Review
Jun 01, 2002

First Printing, JUN 01, 2002

Dell believes that the information included in this document is accurate as of the publication date. The information in this document is subject to change without notice. Furthermore, Dell is not responsible for any errors contained within this document.

The pricing information given in this FDR is accurate as of the publication date, JUN 01, 2002 and is generally available.

Benchmark results are highly dependent upon workload, specific application requirements, and system design and implementation. Relative system performance will vary as a result for these and other factors. Therefore, TPC Benchmark C should not be used as a substitute for a specific customer application benchmark when critical capacity planning and/or product evaluation decisions are contemplated.

All performance data contained in this report were obtained in a rigorously controlled environment. Actual performance experienced by a particular customer may vary due to differences in system layout and configuration, hardware and/or software revision levels, and background system activity. The content of this document is for informational purposes only.

Copyright 2000 Dell

All rights reserved. Permission is hereby granted to reproduce this document in whole or in part provided the copyright notice printed above is set forth in full text or on the title page of each item reproduced.

PowerEdge is a trademark of Dell.

Microsoft, Windows 2000 and SQL Server are registered trademarks of Microsoft Corporation.

TPC Benchmark, TPC-C and tpmC are registered trademarks of the Transaction Processing Performance Council.

Intel and Pentium are registered trademarks of Intel Corporation.

Other product names mentioned in this document may be trademarks and/or registered trademarks of their respective companies.

Abstract

Overview

This report documents the methodology and results of the TPC Benchmark™ C test conducted on Dell PowerEdge 6600. The tests were run in a client/server configuration using three PowerEdge 1400's as clients. The operating system used for the benchmark was Microsoft Windows 2000 Advanced Server on the database server and Microsoft Windows 2000 Server on the clients. The database was Microsoft SQL Server 2000 Enterprise Edition. Microsoft COM+ provided the database connection queues. All tests were done in compliance with Revision 5.0 of the Transaction Processing Council's TPC Benchmark™ C Standard Specification. Two standard TPC Benchmark™ C metrics, transactions per second (tpmC) and price per tpmC (\$/tpmC) are reported and referred to in this document. The results from the tests are summarized below.

Hardware	Software	Total System Cost	tpmC	\$/tpmC	Availability Date
Dell PowerEdge 6600	Microsoft Windows 2000 Advanced Server Windows 2000 Server SQL Server 2000 Enterprise Edition	\$183,957	34914.92	\$5.27	Jun. 1, 2002

Auditor

The results of the benchmark and test methodology used to produce the results were audited by Lorna Livingtree of Performance Metrics and have fully met the TPC-C rev 5.0 specifications.

Additional copies of this Full Disclosure Report can be obtained from either the Transaction Processing Performance Council or Dell at the following address:

Transaction Processing Performance Council (TPC)
c/o Administrator, TPC
Presidio of San Francisco
Bldg 572B Ruger St.
San Francisco, CA 94129-0920
Phone: (415) 561-6272, fax 415-561 6120
www.tpc.org

or

Dell
1 Dell Drive
Round Rock, TX 78682
Attention: Mike Molloy

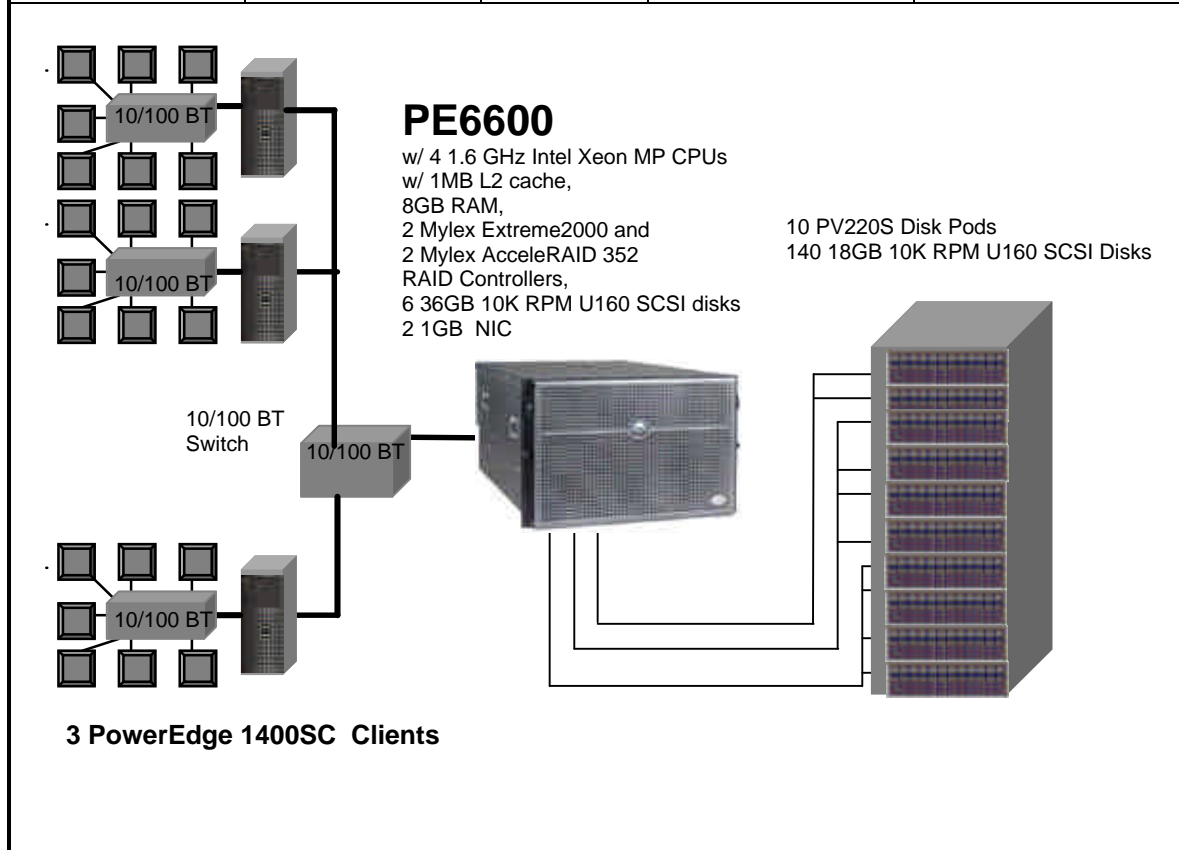


PowerEdge 6600

Client/Server w/3 PE1400 Front Ends

TPC-C Rev 5.0
Report Date
June 01, 2002

Total System Cost	TPC-C Throughput	Price/Performance	Availability Date	
\$183,957	34,914.92 tpmC	\$5.27/ tpmC	Jun 01, 2002	
Processors	Database Manager	OS	Other Software	Number of Users
4 x Intel Xeon™ MP Processors 1.6 GHz 1MB L2 Cache	Microsoft SQL Server 2000 Enterprise Edition	Microsoft Windows 2000 Advanced Server	Windows 2000 Server w/ COM+ Internet Information Server 5.0 Microsoft Visual C++	28,080



System Component	Server		Each Client	
Processors	4	Intel Xeon MP @ 1.6GHz	1	Pentium® III w/ 256 KB L2
Cache		1MB cache		3 clients @ 1 GHz
Memory		8192 MB		512 MB
Disk Controllers	2	Mylex ExtremeRAID 2000	1	Adaptec On-Board
	2	Mylex AcceleRAID 352		
	1	Adaptec On-Board		
Disk Drives	140	18 GB SCSI	1	18 GB
	6	36 GB SCSI		
	1	9 GB SCSI		
Total Storage		2,609 GB		18 GB
Other	2	1GB NIC	2	10/100MB BT NIC
	1	CD-ROM	1	
	1	DAT		

Description	Part Number	Third Party	Unit Price	Qty	Extended Price	3 yr. Maint. Price
		Brand Pricing				
Server Hardware						
Dell PowerEdge 6600	220-8304		1	8,142	1	8,142 1,299
Intel Xeon MP 1.6GHz / 1MB L2 - 4 processors	311-1528		1	14,999	1	14,999 -
8 GB,DDR, 16 x 512MB DIMMS	311-1548		1	7,184	1	7,184 -
18 GB U160M SCSI 10K RPM Hard Drive	340-2769		1	249	1	249 -
Tape Backup Unit	340-7412		1	1,099	1	1,099 -
Dell 15" Monitor	320-0960		1	149	1	149 -
Extreme RAID 2000 PCI SCSI 4 channel RAID controller***	08P3834	Mylex	3	1,320	4	5,280 -
AcceleRAID 352 PCI SCSI 2 Channel RAID controller***	08P2420	Mylex	3	598	2	1,196 -
				Subtotal		38,298 1,299
PowerVault Disk Subsystem						
PV220S, U3 SCSI, PS, Rack mount	220-4476, etc.		1	2,756	10	27,560 6,000
SCSI Cables	310-0679		1	99	5	495 -
18 GB SCSI 10K RPM Hard Drive *	340-2769		1	249	140	34,860 -
36 GB SCSI 10K RPM Hard Drive *	340-6762		1	499	6	2,994 -
42U Rack	220-4492		1	1,184	1	1,184 -
				Subtotal		67,093 6,000
Server Software						
SQL Server 2000 Ent Edition, Per processor licensing **	810-00846	Microsoft	2	16,541	4	66,164 5,850
Windows 2000 Advanced Server, 25 Client Licenses **	C10-00475	Microsoft	2	2,399	1	2,399 -
				Subtotal		68,563 5,850
Client Hardware						
Dell PowerEdge 1400SC, 1.13 GHz Pentium III w/ 256KB L2	220-2308		1	648	3	1,944 1,434
512MB RAM, 4 DIMMs	311-1194		1	408	3	1,224 -
18GB,U160,10K, SCSI Hard Drive,	340-1964		1	249	3	747 -
Ether Express PRO 100+ Ethernet Adapter	430-1970	Intel	1	59	6	354 -
Dell 15" Monitor	320-0960		1	149	3	447 -
				Subtotal		4,716 1,434
Client Software						
Windows 2000 Server, 5 Client Licenses **	C11-00821	Microsoft	2	738	3	2,214 -
Visual C++ Professional 6.0 Win32 **	048-00317	Microsoft	2	549	1	549 -
				Subtotal		2,763 -
User Connectivity						
16 Port Ethernet Switch	220-1499	Dell	1	129	1	129 105
				Subtotal		129 105
		Discounts****				(12,293) -
				Total		169,269 14,688

<p>Notes: * Maint. included in PowerVault 220S disk pod or PV650F/630F fibre channel disk pod</p> <p>** All Microsoft maintenance is covered by the maintenance costs of Microsoft SQL Server</p> <p>*** 10% or minimum 2 spares are added in place of onsite service (products have a five year return-to-vendor warranty) Pricing: 1 - Dell 2 - Microsoft 3 - Computer Giants</p> <p>**** Discount based upon total system cost as purchased by a regular customer. Pricing may be verified by calling 1-800-BUY-DELL referencing quote numbers 83087166 as complex quotes.</p> <p>Audited by Lorna Livingtree, Performance Metrics Inc.</p>	<p>Three-Year Cost of Ownership: \$183,957</p> <p>tpmC Rating: 34914.92</p> <p>\$/tpmC: 5.27</p>
---	--

Prices used in TPC benchmarks reflect the actual prices a customer would pay for a one-time purchase of the stated components. Individually negotiated discounts are not permitted. Special prices based on assumptions about past or future purchases are not permitted. All discounts reflect standard pricing policies for the listed components. For complete details, see the pricing sections of the TPC benchmark specifications. If you find that the stated prices are not available according to these items, please inform the TPC at pricing@tpc.org.

MQTh, computed Maximum Qualified Throughput

34914.92
tpmC

Response Times (in seconds)

	Average	90th	Max
- Neworder	0.49	0.74	5.60
- Payment	0.31	0.52	2.91
- Order Status	0.38	0.60	5.75
- Delivery (interactive portion)	0.14	0.24	1.09
- Delivery (deferred portion)	0.58	1.00	2.02
- Stock-Level	2.11	3.67	9.18
- Menu	0.14	0.25	1.34

Response time delay added for emulated components

Menu 0.1
Resp 0.1

Transaction Mix, in percent of total transactions

- New-Order	44.84%
- Payment	43.06 %
- Order-Status	4.03 %
- Delivery	4.04 %
- Stock-Level	4.04 %

Keying/Think Times (in seconds),

	Min		Average		Max	
- New-Order	18.01	0.0	18.03	12.04	18.29	120.45
- Payment	3.01	0.0	3.03	12.04	3.26	120.46
- Order-Status	2.01	0.0	2.03	10.06	2.17	100.42
- Delivery	2.01	0.0	2.03	5.06	2.21	50.42
- Stock-Level	2.01	0.0	2.03	5.06	2.16	50.42

Test Duration

- Ramp-up time	12 minutes
- Measurement interval	120 minutes
- Number of checkpoints	4
- Checkpoint interval	30 minutes
- Number of transactions (all types) completed in measurement interval	9,720,997

Table of Contents

ABSTRACT	I
OVERVIEW.....	I
AUDITOR	I
TABLE OF CONTENTS	1
INTRODUCTION	5
DOCUMENT STRUCTURE	5
BENCHMARK OVERVIEW	5
SYSTEM OVERVIEW	6
GENERAL ITEMS	7
TEST SPONSOR	7
APPLICATION CODE AND DEFINITION STATEMENTS	7
PARAMETER SETTINGS.....	7
CONFIGURATION DIAGRAMS	8
CLAUSE 1 -- LOGICAL DATABASE DESIGN RELATED ITEMS	10
TABLE DEFINITIONS.....	11
PHYSICAL ORGANIZATION OF THE DATABASE	11
INSERT AND DELETE OPERATIONS	11
HORIZONTAL AND VERTICAL PARTITIONING	11
REPLICATION.....	11
TABLE ATTRIBUTES.....	11
CLAUSE 2 -- TRANSACTION AND TERMINAL PROFILES RELATED ITEMS	12
RANDOM NUMBER GENERATION	12
SCREEN LAYOUT	12
TERMINAL VERIFICATION	12
INTELLIGENT TERMINALS	12
TRANSACTION PROFILES	12
TRANSACTION MIX	13
DEFERRED DELIVERY MECHANISM.....	13
CLAUSE 3 -- TRANSACTION AND SYSTEM PROPERTIES RELATED ITEMS	14
ACID TESTS	14
<i>Atomicity</i>	14
<i>Consistency</i>	14
<i>Isolation</i>	14
<i>Durability</i>	15
CLAUSE 4 -- SCALING AND DATABASE POPULATION RELATED ITEMS	17
TABLE CARDINALITY.....	17
CONSTANT VALUES.....	17
DATA DISTRIBUTION.....	18
PARTITION MAPPING	22
60 DAY SPACE CALCULATION	22
CLAUSE 5 -- PERFORMANCE METRICS AND RESPONSE TIME RELATED ITEMS	23

MEASURED TPMC	23
RESPONSE TIMES	23
THINK TIMES & KEY TIMES	23
RESPONSE TIME DISTRIBUTION CURVES	24
NEW-ORDER RESPONSE TIME VS. THROUGHPUT GRAPH	27
NEW-ORDER THINK TIME DISTRIBUTION GRAPH	28
STEADY-STATE GRAPH	28
STEADY-STATE METHODOLOGY	29
WORK PERFORMED DURING STEADY STATE	29
REPRODUCIBILITY METHODOLOGY	ERROR! BOOKMARK NOT DEFINED.
MEASUREMENT INTERVAL	29
TRANSACTION MIX	30
OTHER METRICS	30
CHECKPOINTS	ERROR! BOOKMARK NOT DEFINED.
CLAUSE 6 -- SUT, DRIVER, AND COMMUNICATION DEFINITION RELATED ITEMS	32
RTE PARAMETERS	32
EMULATED COMPONENTS	32
BENCHMARKED AND TARGETED SYSTEM CONFIGURATION DIAGRAMS	32
NETWORK CONFIGURATION	32
NETWORK BANDWIDTH	32
OPERATOR INTERVENTION	33
CLAUSE 7 -- PRICING RELATED ITEMS	34
HARDWARE AND SOFTWARE LIST	34
AVAILABILITY DATE	34
MEASURED TPMC	34
COUNTRY SPECIFIC PRICING	34
USAGE PRICING	34
SYSTEM PRICING	35
CLAUSE 9 -- AUDIT RELATED ITEMS	36
AUDITOR	36
AVAILABILITY OF THE FULL DISCLOSURE REPORT	36
AUDITOR'S LETTER OF ATTESTATION	37
APPENDIX A - APPLICATION SOURCE CODE	39
TPCC.DLL ISAPI DLL SOURCE CODE	39
<i>isapi_dll/src/tpcc.def</i>	39
<i>isapi_dll/src/tpcc.h</i>	39
<i>isapi_dll/src/tpcc.rc</i>	41
<i>isapi_dll/src/tpcc.cpp</i>	42
<i>isapi_dll/src/resource.h</i>	63
<i>common/src/ReadRegistry.cpp</i>	63
<i>common/src/ReadRegistry.h</i>	64
<i>common/src/error.h</i>	65
<i>common/src/trans.h</i>	67
<i>common/src/txn_base.h</i>	68
<i>db_dblib_dll/src/tpcc_dblib.cpp</i>	69
<i>db_dblib_dll/src/tpcc_dblib.h</i>	78
<i>tm_com_dll/src/tpcc_com.cpp</i>	79
<i>tm_com_dll/src/tpcc_com.h</i>	81
<i>tpcc_com_all/src/methods.h</i>	82
<i>tpcc_com_all/src/resource.h</i>	85

<i>tpcc_com_all/src/tpcc_com_all.cpp</i>	85
<i>tpcc_com_all/src/tpcc_com_all.def</i>	90
<i>tpcc_com_all/src/tpcc_com_all.h</i>	90
<i>tpcc_com_all/src/tpcc_com_all.idl</i>	91
<i>tpcc_com_all/src/tpcc_com_all.rc</i>	92
<i>tpcc_com_all/src/tpcc_com_all.rgs</i>	93
<i>tpcc_com_all/src/tpcc_com_all_i.c</i>	93
<i>tpcc_com_all/src/tpcc_com_no.rgs</i>	95
<i>tpcc_com_all/src/tpcc_com_os.rgs</i>	95
<i>tpcc_com_all/src/tpcc_com_pay.rgs</i>	95
<i>tpcc_com_all/src/tpcc_com_ps.h</i>	96
<i>tpcc_com_all/src/tpcc_com_sl.rgs</i>	98
<i>tpcc_com_ps/src/dlldata.c</i>	98
<i>tpcc_com_ps/src/tpcc_com_ps.def</i>	99
<i>tpcc_com_ps/src/tpcc_com_ps.h</i>	99
<i>tpcc_com_ps/src/tpcc_com_ps.idl</i>	101
<i>tpcc_com_ps/src/tpcc_com_ps_i.c</i>	102
<i>tpcc_com_ps/src/tpcc_com_ps_p.c</i>	103
<i>common/txnlog/include/rtetime.h</i>	124
<i>common/txnlog/include/spinlock.h</i>	124
<i>common/txnlog/include/txnlog.h</i>	125
APPENDIX B - DATABASE DESIGN	129
BUILD SCRIPTS	129
<i>setup.cmd</i>	129
<i>createdb.sql</i>	130
<i>tables.sql</i>	131
<i>idxcuscl.sql</i>	132
<i>idxcusnc.sql</i>	132
<i>idxdiscl.sql</i>	133
<i>idxitmcl.sql</i>	133
<i>idxnodcl.sql</i>	133
<i>idxodlcl.sql</i>	134
<i>idxordcl.sql</i>	134
<i>idxstkcl.sql</i>	134
<i>idxwarcl.sql</i>	134
<i>dbopt1.sql</i>	135
<i>dbopt2.sql</i>	135
<i>dbopt3.sql</i>	136
<i>backup.sql</i>	136
<i>restore.sql</i>	136
STORED PROCEDURES	137
<i>neword.sql</i>	137
<i>payment.sql</i>	139
<i>ordstat.sql</i>	141
<i>delivery.sql</i>	142
<i>stocklev.sql</i>	143
LOADER SOURCE CODE	143
<i>tpcc.h</i>	143
<i>tpccldr.c</i>	145
<i>getargs.c</i>	165
<i>random.c</i>	166
<i>strings.c</i>	168
<i>time.c</i>	171

APPENDIX C - TUNABLE PARAMETERS	172
SERVER CONFIGURATION PARAMETERS.....	172
Microsoft Windows 2000 Advanced Server Parameters.....	172
Microsoft Windows 2000 Advanced Server Configuration	172
Microsoft SQL Server Version 7.0 Startup Parameters.....	172
Microsoft SQL Server Stack Size	173
Mylex Device Drivers and Firmware	173
Mylex Registry Key	173
Qlogic Device Driver	Error! Bookmark not defined.
Giganet Registry Key	Error! Bookmark not defined.
Microsoft SQL Server 7.0 Configuration Parameters	173
Windows 2000 Advanced Server System Information Report For PE6400	174
CLIENT CONFIGURATION PARAMETERS	226
COM+ Settings.....	227
TPCC Application Registry Parameters.....	227
Microsoft Internet Information Server Registry Parameters	227
World Wide Web Service Registry Parameters.....	227
Microsoft Windows 2000 Server System Information Report for PE1300.....	230
RTE INPUT PARAMETERS	282
BenchCraft Configuration File.....	282
APPENDIX D – DISK STORAGE.....	289
60 DAY SPACE	ERROR! BOOKMARK NOT DEFINED.
APPENDIX E - PRICE QUOTATIONS	289

Introduction

Document Structure

The TPC Benchmark C Standard Specification Revision 5.0, written and approved by the Transaction Processing Performance Council (TPC), determines the contents of this report. The format of this report is based on this specification. Most sections of this report begin with the specification requirements printed in italic type, immediately followed by the detail in plain type of how Dell complied with the specification. Where extensive listings are required (such as listing of code), a note is included which references an appendix containing the listing.

Benchmark Overview

TPC Benchmark™ C (TPC-C) is an OLTP workload. It is a mixture of read-only and update intensive transactions that simulate the activities found in complex OLTP application environments. It does so by exercising a breadth of system components associated with such environments, which are characterized by:

- The simultaneous execution of multiple transaction types that span a breadth of complexity
- On-line and deferred transaction execution modes
- Multiple on-line terminal sessions
- Moderate system and application execution time
- Significant disk input/output
- Transaction integrity (ACID properties)
- Non-uniform distribution of data access through primary and secondary keys
- Databases consisting of many tables with a wide variety of sizes, attributes, and relationships
- Contention on data access and update

The performance metric reported by TPC-C is a "business throughput" measuring the number of orders processed per minute. Multiple transactions are used to simulate the business activity of processing an order, and each transaction is subject to a response time constraint.

The performance metric for this benchmark is expressed in transactions-per-minute-C (tpmC). To be compliant with the TPC-C standard, all references to tpmC results must include the tpmC rate, the associated price-per-tpmC, and the availability date of the priced configuration.

Although these specifications express implementation in terms of a relational data model with conventional locking scheme, the database may be implemented using any commercially available database management system (DBMS), database server, file system, or other data repository that provides a functionally equivalent implementation. The terms "table", "row", and "column" are used in this document only as examples of logical data structures.

TPC-C uses terminology and metrics that are similar to other benchmarks, originated by the TPC or others. Such similarity in terminology does not in any way imply that TPC-C results are comparable to other benchmarks. The only benchmark results comparable to TPC-C are other TPC-C results conformant with the same revision.

Despite the fact that this benchmark offers a rich environment that emulates many OLTP applications, this benchmark does not reflect the entire range of OLTP requirements. In addition, the extent to which a customer can achieve the results reported by a vendor is highly dependent on how closely TPC-C approximates the customer application. The relative performance of

systems derived from this benchmark does not necessarily hold for other workloads or environments. Extrapolations to any other environment are not recommended.

Benchmark results are highly dependent upon workload, specific application requirements, and systems design and implementation. Relative system performance will vary as a result of these and other factors. Therefore, TPC-C should not be used as a substitute for a specific customer application benchmarking when critical capacity planning and/or product evaluation decisions are contemplated.

System Overview

The hardware configuration used in this TPC-C test is a Dell PowerEdge 6600 server driven by three Dell PowerEdge 1400 clients. The clients and server are networked together via a 1GB Base T switch. Seven remote terminal emulator (RTE) systems (PowerEdge 2200's) emulate 28,080 users executing the standard TPC-C workload. The RTE's are connected to the three clients through 10/100 BaseT switches. Each switch connects to one client machine at 100 BaseT and to the RTE machines at 10Mbit/sec, half duplex. Microsoft Windows 2000 Advanced Server was the operating system used on the server. Microsoft Windows 2000 Server was used on the clients. Microsoft SQL Server 2000 Standard Edition was the database on the server machine.

The PowerEdge 6600 motherboard uses the ServerWorks Grand Champion High End chipset and can hold up to four Pentium® 4 processors (1.6 GHz with 1 MB L2 cache each). The system has 10 PCI-X 64-bit/100MHz I/O slots and a single legacy 32-bit/33MHz PCI slot. The measured configuration used 8 Gbytes of DDR RAM, which was achieved by using eight 1024 Mbyte DIMMs.

The PowerEdge 6600 has an integrated Adaptec AIC-7892 U160 SCSI controller to which was attached one 9 GB disk drive containing the operating system. In addition, two Mylex ExtremeRAID 2000 4-channel RAID controllers were installed in two PCI-X slots and connected to 8 PowerVault 220S disk pods, which can hold 14 disks each. Additionally, two Mylex AcceleRAID 352 2-channel RAID controller was installed in a PCI-X slot. One AcceleRAID352 was connected to two PV220 disk pods enclosing a total of 28 18GB SCSI disks, containing database data. All of the 10 pods were filled yielding a total of 140 18 GB disks, all containing the database data. The other AcceleRAID352 was connected to the PE6600's internal 2X4 backplane enclosing 6 36Gb SCSI drives mirrored using RAID 10, configured for transaction log data.. There were 5 empty PCI-X slots. A legacy 33MHz PCI slot was empty.

Each client had a single 1GHz Pentium® III processor with 256 Kbytes of L2 cache. Each client had 512 Mbytes of RAM, one 9 GB hard disk, one intergrated Intel Ether Express Pro100+ PCI Ethernet adapter and one Intel Pro 100 Network Interface Card. On each client the Intel Ethernet adapter was connected to the RTE machines through a 10/100 BaseT switch and the Intel Pro NIC was connected to the Database Server through a 10/100 Base T switch. The three clients were driven through six network segments each for a total of 18 network segments. 1560 emulated users were run on each network segment for a total of 28,080 emulated users. The network segments between the switches and RTEs were fixed at 10 Mbit/sec, half duplex.

General Items

Test Sponsor

A statement identifying the sponsor of the Benchmark and any other companies who have participated.

Dell was the test sponsor of this TPC Benchmark™ C.

Application Code and Definition Statements

The application program must be disclosed. This includes, but is not limited to, the code implementing the five transactions and the terminal input/output functions.

The application consists of the Microsoft Benchcraft Remote Terminal Emulator (RTE) program emulating a set of users entering TPC-C transactions through web browsers, and communicating with Client machines running the Microsoft Internet Information Server (IIS) web server. The Client machines use the COM+ transaction monitor to communicate with the database server machine.

On each Client machine IIS loads a custom Microsoft Internet Information Server Application Programming Interface dynamic link library (ISAPI DLL) application program that communicates with the emulated web browsers through the HTTP protocol and with the database server through the COM+ transaction monitor and the Microsoft DBLIB interface. The application supplies fill-in screens to the user for each transaction, then parses the data in each request, and makes a call on SQL Server through the COM+ layer, which manages a set of DBLIB connections to the database server. The resulting data is passed back to the application where it is formatted into HTML and sent back to the user's browser. The Delivery transaction is handled directly from the application to the database without the use of COM+.

The web Client code is listed in Appendix A.

Parameter Settings

Settings must be provided for all customer-tunable parameters and options which have been changed from the default found in actual products; including but not limited to:

- *Database options*
- *Recover/commit options*
- *Consistency/locking options*
- *System parameter, application parameters, and configuration parameters.*

This requirement can be satisfied by providing a full listing of all parameters and options.

Appendix C contains all the database, Windows 2000 Advanced Server, Windows 2000 Server, and Internet Information Service parameters used in this benchmark.

Appendix D contains the 60 day space calculations.

Configuration Diagrams

Diagrams of both the measured and priced system must be provided, accompanied by a description of the differences.

Figures 1 and 2 respectively show the measured and priced full client/server configurations. The system under test (SUT) in the measured system was identical to what was priced.

Figure 1: Measured Configuration

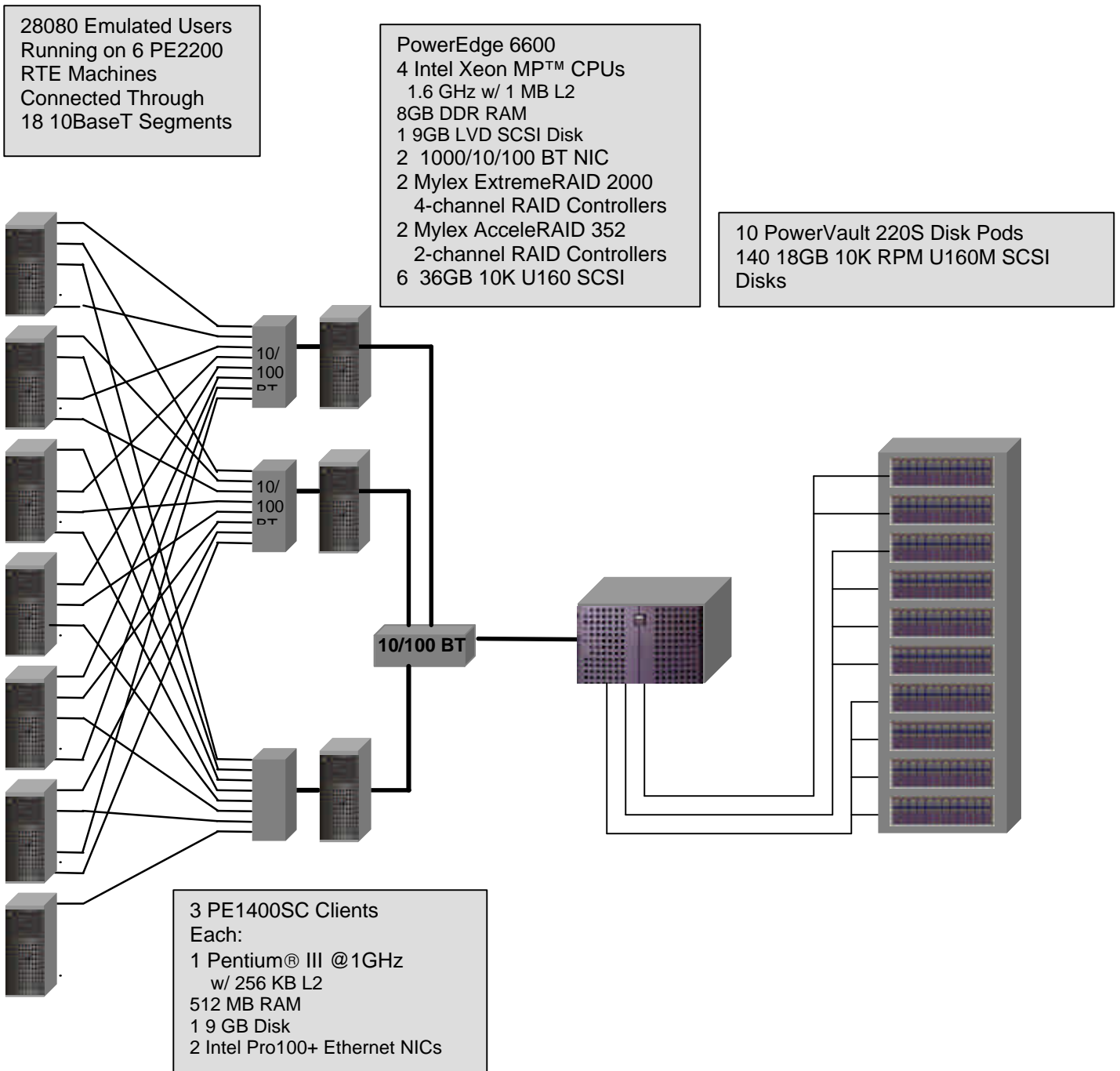
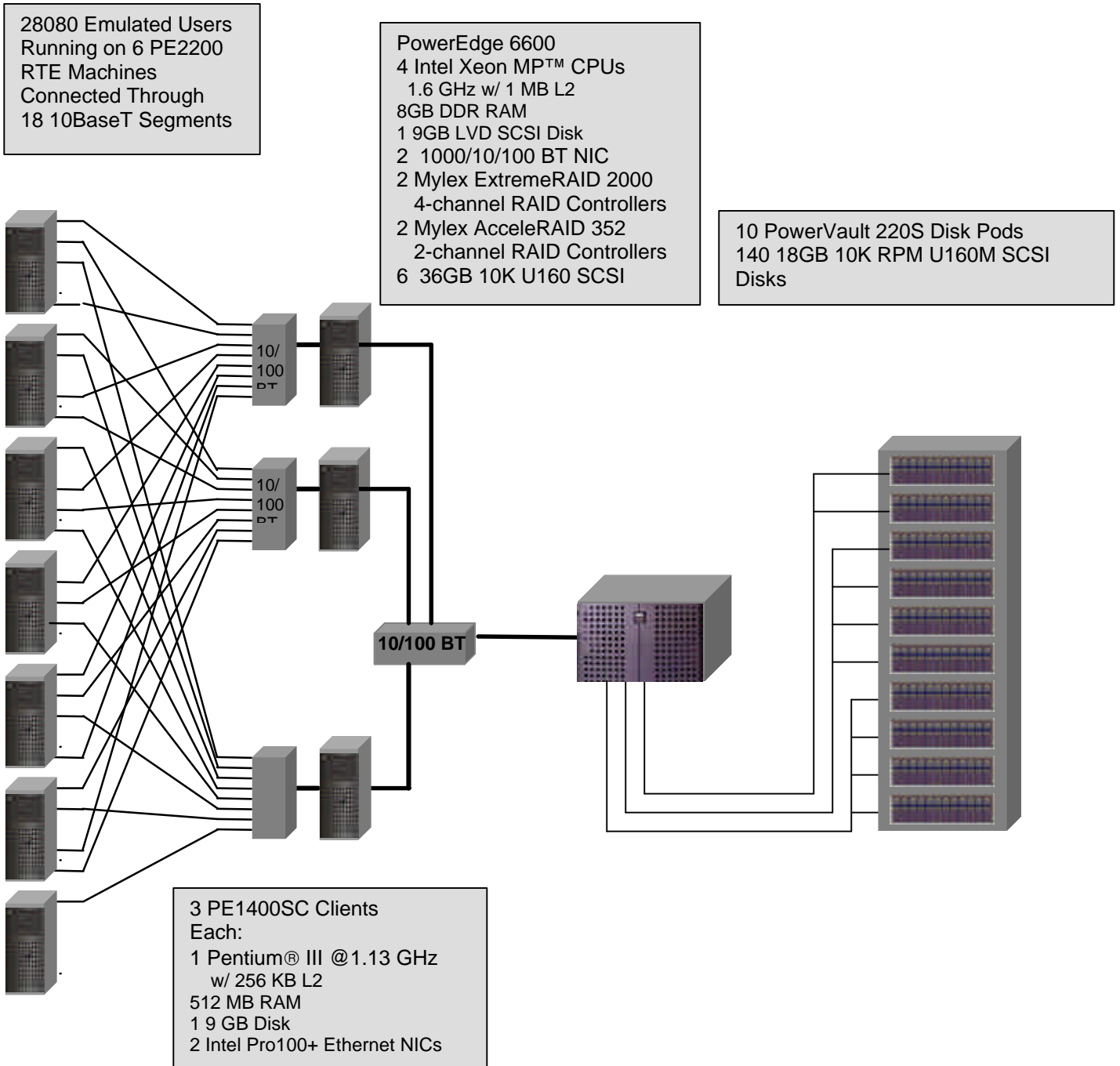


Figure 2: Priced Configuration



Clause 1 -- Logical Database Design Related Items

Table Definitions

Listings must be provided for all table definition statements and all other statements used to set-up the database. (8.1.2.1)

Appendix B contains the code used to define and load the database tables.

Physical Organization of the Database

The physical organization of tables and indices, within the database, must be disclosed. (8.1.2.2)

The measured configuration used 147 disk drives. The organization is shown in Table 5: Data Distribution.

Insert and Delete Operations

It must be ascertained that insert and/or delete operations to any of the tables can occur concurrently with the TPC-C transaction mix. Furthermore, any restriction in the SUT database implementation that precludes inserts beyond the limits defined in Clause 1.4.11 must be disclosed. This includes the maximum number of rows that can be inserted and the maximum key value for these new rows. (8.1.2.3)

Insert and delete functionality was fully operational during the benchmark.

Horizontal and Vertical Partitioning

While there are a few restrictions placed upon horizontal or vertical partitioning of tables and rows in the TPC-C benchmark (see Clause 1.6), any such partitioning must be disclosed. (8.1.2.4)

Partitioning was not used in this benchmark.

Replication

Replication of tables, if used, must be disclosed (see Clause 1.4.6). (8.1.2.5)

Replication was not used in this benchmark.

Table Attributes

Additional and/or duplicated attributes in any table must be disclosed along with a statement on the impact on performance (see Clause 1.4.7). (8.1.2.6)

No additional attributes were used in this benchmark.

Clause 2 -- Transaction and Terminal Profiles Related Items

Random Number Generation

The method of verification for the random number generation must be described. (8.1.3.1)

The random number generation was done internal to the Microsoft BenchCraft RTE program, which was audited independently.

Screen Layout

The actual layouts of the terminal input/output screens must be disclosed. (8.1.3.2)

The screen layouts are based on those in Clauses 2.4.3, 2.5.3, 2.6.3, 2.7.3, and 2.8.3 of the TPC-C Standard Specification. There are some very minor differences based on the fact that this is a web client implementation.

Terminal Verification

The method used to verify that the emulated terminals provide all the features described in Clause 2.2.2.4 must be explained. Although not specifically priced, the type and model of the terminals used for the demonstration in 8.1.3.3 must be disclosed and commercially available (including supporting software and maintenance). (8.1.3.3)

The terminal features were verified by allowing the auditor to manually execute each of the five transaction types, using Microsoft Internet Explorer version 3.0.

Intelligent Terminals

Any usage of presentation managers or intelligent terminals must be explained. (8.1.3.4)

Comment 1: *The intent of this clause is to describe any special manipulations performed by a local terminal or workstation to off-load work from the SUT. This includes, but is not limited to: screen presentations, message bundling, and local storage of TPC-C rows.*

Comment 2: *This disclosure also requires that all data manipulation functions performed by the local terminal to provide navigational aids for transaction(s) must also be described. Within this disclosure, the purpose of such additional function(s) must be explained.*

Application code involved in the manipulation of data was run on the client. Screen manipulation commands in the form of HTML were downloaded to the web browser, which handled input and output presentation graphics. A listing of this code is included in Appendix A. Microsoft Internet Information Service assisted in the processing and presentation of this data.

Transaction Profiles

The percentage of home and remote order-lines in the New-Order transactions must be disclosed. (8.1.3.5)

The percentage of New-Order transactions that were rolled back as a result of an unused item number must be disclosed. (8.1.3.6)

The number of items per orders entered by New-Order transactions must be disclosed. (8.1.3.7)

The percentage of home and remote Payment transactions must be disclosed. (8.1.3.8)

The percentage of Payment and Order-Status transactions that used non-primary key (C_LAST) access to the database must be disclosed. (8.1.3.9)

The percentage of Delivery transactions that were skipped as a result of an insufficient number of rows in the NEW-ORDER table must be disclosed. (8.1.3.10)

Table 1: Transaction Statistics

Transaction	Function	Value
New Order	Home Warehouse Items	99.00%
	Remote Warehouse Items	1.00%
	Rolled Back Transactions	0.99%
	Average Lines Per Order	10.00
Payment	Home Warehouse	84.98%
	Remote Warehouse	15.02%
	Non-Primary Key Access	60.01%
Order Status	Non-Primary Key Access	60.04%
Delivery	Skipped Transactions	0

Transaction Mix

The mix (i.e., percentages) of transaction types seen by the SUT must be disclosed. (8.1.3.11)

Table 2: Transaction mix

Transaction	Percentage
New Order	44.84%
Payment	43.06%
Order Status	4.03%
Delivery	4.04%
Stock Level	4.04%

Deferred Delivery Mechanism

The queuing mechanism used to defer the execution of the Delivery transaction must be disclosed. (8.1.3.12)

The application creates a semaphore-base thread pool consisting of a user-specified number of threads, which open DBLIB connections on the database. When a Delivery transaction is posted one of these threads makes the database call while the transaction's original thread returns control to the user. Upon completion the Delivery thread writes an entry in the Delivery log and returns to the thread pool.

The source code is listed in Appendix A.

Clause 3 -- Transaction and System Properties Related Items

ACID Tests

The results of the ACID tests must be disclosed along with a description of how the ACID requirements were met. This includes disclosing which case was followed for the execution of Isolation Test 7. (8.1.4.1)

All ACID property tests were successful. The executions are described below.

Atomicity

The system under test must guarantee that the database transactions are atomic; the system will either perform all individual operations on the data or will assure that no partially completed operations leave any effects on the data.

Completed Transactions

A row was selected in a script from the warehouse, district and customer tables, and the balances noted. A payment transaction was started with the same warehouse, district and customer identifiers and a known amount. The payment transaction was committed and the rows were verified to contain correctly updated balances.

Aborted Transactions

A row was selected in a script from the warehouse, district and customer tables, and the balances noted. A payment transaction was started with the same warehouse, district and customer identifiers and a known amount. The payment transaction was rolled back and the rows were verified to contain the original balances.

Consistency

Consistency is the property of the application that requires any execution of a database transaction to take the database from one consistent state to another, assuming that the database is initially in a consistent state.

Consistency conditions one through four were tested using a shell script to issue queries to the database. The results of the queries verified that the database was consistent for all four tests. A run was executed under full load lasting over ten (10) minutes and included a checkpoint. The shell script was executed again. The result of the same queries verified that the database remained consistent after the run.

Isolation

Sufficient conditions must be enabled at either the system or application level to ensure the required isolation defined above (clause 3.4.1) is obtained.

Isolation tests one through seven were executed using shell scripts to issue queries to the database. Each script included timestamps to demonstrate the concurrency of operations. The results of the queries were captured to files. The captured files were verified by the auditor to demonstrate the required isolation had been met.

In addition, the phantom tests and the stock level tests were executed and verified.

For Isolation test seven, case A was followed.

Durability

The tested system must guarantee durability: the ability to preserve the effects of committed transactions and insure database consistency after recovery from any one of the failures listed in Clause 3.5.3.

Durable Media Failure

Durability from media failure was demonstrated on a 300 warehouse database. The standard driving mechanism was used to generate the transaction load of 3000 users for the Loss of Data.

Loss of Data

Loss of data was demonstrated on the 300 Warehouse database. The standard driving mechanism was used to generate the transaction load of 3000 users for the test. To demonstrate recovery from a permanent failure of durable media containing TPC-C tables, the following steps were executed:

1. The 300 Warehouse database was used for this test.
2. The database was backed up using SQL Server backup facilities.
3. A sum of D_NEXT_O_ID was taken.
4. 3000 users were logged in to the database and ran transactions.
5. One disk drive in the data array was removed causing SQL Server errors.
6. The RTE was allowed to continue running. Completed transactions enroute from the clients were recorded. Error messages began appearing on the RTE screen.
7. The RTE was stopped.
8. SQL Server was stopped and restarted and a dump of the transaction log was taken.
9. SQL Server was stopped, Windows 2000 was shutdown and the machine powered off.
10. The failed disk was replaced.
11. The machine was powered up, Windows 2000 and SQL Server were started.
12. The TPC-C database was dropped and restored from backup.
13. The transaction log was restored and transactions rolled forward.
14. A new count of D_NEXT_O_ID was taken.
15. This number was compared with the number of new orders reported by the RTE.

Instantaneous Interruption and Loss of Memory/Loss of Log

Instantaneous Interruption and Loss of Memory were demonstrated on the full database with 3000 warehouses in a single test. The standard driving mechanism was used to generate the transaction load of 28,080 users for the test. To demonstrate recovery an instantaneous system interruption caused by powering off the Server, the following steps were executed:

1. The full database was used.
2. A sum of D_NEXT_O_ID was taken.
3. 28,080 users were logged in to the database and ran transactions.
4. The system was run in steady state for 5 minutes.
5. One disk drive in the transaction log array was removed with no effect on Windows 2000 or SQL Server.
6. The system ran for an additional 5 minutes.
6. The Server was powered off by normal means, causing instantaneous interruption.

7. The RTE was allowed to continue running. Completed transactions enroute from the clients were recorded. Error messages began appearing on the RTE screen.
8. The RTE was stopped.
9. The server was powered on again and rebooted.
10. SQL Server was restarted and automatically recovered.
11. A new count of D_NEXT_O_ID was taken.
12. This number was compared with the number of new orders reported by the RTE

Clause 4 -- Scaling and Database Population Related Items

Table Cardinality

The cardinality (e.g., the number of rows) of each table, as it existed at the start of the benchmark run (see Clause 4.2), must be disclosed. If the database was over-scaled and inactive rows of the WAREHOUSE table were deleted (see Clause 4.2.2), the cardinality of the WAREHOUSE table as initially configured and the number of rows deleted must be disclosed. (8.1.5.1)

The database was originally built with 3000 warehouses. The performance run used 2808 warehouses and this is verified by runcheck

Table 3: Table Cardinality

Table	Cardinality as Benchmarked
Warehouse	3,000
District	30,000
Customer	90,000,000
History	90,000,000
NewOrder	27,000,000
Orders	90,000,000
OrderLine	899,996,621
Item	100,000
Stock	300,000,000
Deleted Warehouses	0

Constant Values

The following values were used as constant value inputs to the NURand function for this benchmark.

Table 4: Constant Values

Function	Constant C Value
C_LAST (Build)	123
C_LAST (Run)	208

Data Distribution

The distribution of tables and logs across all media must be explicitly depicted for the tested and priced systems. (8.1.5.2)

The Database was built using a total of 147 disks: 140 9GB for data, 6 36GB for log, and 1 18GB for OS and application software. The data drives were configured as hardware RAID 0. Logs were configured as hardware RAID 10. Mylex ExtremeRAID 2000 RAID Controllers 2 and 3 were configured with 2 logical drives each. Each logical drive spanned 28 disk drives. Mylex AcceleRAID controller 4 was configured with 1 logical drive spanning 28 drives. Disk 1 (controller 1) contained 6 36GB drives hooked to an AcceleRAID controller. Each Windows 2000 data drive contained 3 partitions: partition 1 for customer/stock, partition 2 for miscellaneous, and partition 3 for backup. Partitions 1 and 2 were RAW file systems and partition 3 was formatted NTFS. The details are shown in Table 5.

Table 5: Data Distribution

W2K Disk Administration		Adaptec 7899 Configuration				
Disk 0 17500MB		On-Board Controller # 1				
Partition		On-Board		Channels		
1		Internal	SCSI ID	0		
C: OS NTFS 17500 MB			0	A0-1		
			1			
			2			
			3			

W2K Disk Administration		MYLEX AR352 Configuration					
Disk 1 104131MB		Controller # 1					
Partition		Slot# 2		Channels			
1			SCSI ID	A	B	C	D
S: LOG Unknown 104131MB			0	A1-1			
			1	A2-1			
			2	A3-1			
			3	A4-1			
			4	A5-1			
			5	A6-1			
			8				
			9				
			10				
			11				
			12				
			13				

W2K Disk Administration			MYLEX EX2000P Configuration					
Disk 2 480471MB			Controller # 2					
Partition			Slot# 4		Channels			
1	2	3		SCSI ID	A	B	C	D
E: CS1 Unknown 46592MB	F: MS1 Unknown 26112MB	V: Backup1 NTFS 80005MB		0	A1-1	A2-1		
				1	A1-2	A2-2		
				2	A1-3	A2-3		
				3	A1-4	A2-4		
				4	A1-5	A2-5		
				5	A1-6	A2-6		
				8	A1-7	A2-7		
				9	A1-8	A2-8		
				10	A1-9	A2-9		
				11	A1-10	A2-10		
				12	A1-11	A2-11		
				13	A1-12	A2-12		

W2K Disk Administration			MYLEX EX2000P Configuration					
Disk 3 480471MB			Controller # 2					
Partition			Slot# 4		Channels			
1	2	3		SCSI ID	A	B	C	D
G: CS2 Unknown 46592MB	H: MS2 Unknown 26112MB	W: Backup2 NTFS 80005MB		0			A3-1	A4-1
				1			A3-2	A4-2
				2			A3-3	A4-3
				3			A3-4	A4-4
				4			A3-5	A4-5
				5			A3-6	A4-6
				8			A3-7	A4-7
				9			A3-8	A4-8
				10			A3-9	A4-9
				11			A3-10	A4-10
				12			A3-11	A4-11
				13			A3-12	A4-12

W2K Disk Administration			MYLEX EX2000P Configuration					
Disk 4 480471MB			Controller # 3					
Partition			Slot# 6		Channels			
1	2	3		SCSI ID	A	B	C	D
K: CS3 Unknown 46592MB	L: MS3 Unknown 26112MB	Y: Backup3 NTFS 80005MB		0	A1-1	A2-1		
				1	A1-2	A2-2		
				2	A1-3	A2-3		
				3	A1-4	A2-4		
				4	A1-5	A2-5		
				5	A1-6	A2-6		
				8	A1-7	A2-7		
				9	A1-8	A2-8		
				10	A1-9	A2-9		
				11	A1-10	A2-10		
				12	A1-11	A2-11		
				13	A1-12	A2-12		

W2K Disk Administration			MYLEX EX2000P Configuration					
Disk 5 480471MB			Controller # 3					
Partition			Slot# 6		Channels			
1	2	3		SCSI ID	A	B	C	D
M: CS4 Unknown 46592MB	N: MS4 Unknown 26112MB	Z: Backup4 NTFS 80005MB		0			A3-1	A4-1
				1			A3-2	A4-2
				2			A3-3	A4-3
				3			A3-4	A4-4
				4			A3-5	A4-5
				5			A3-6	A4-6
				8			A3-7	A4-7
				9			A3-8	A4-8
				10			A3-9	A4-9
				11			A3-10	A4-10
				12			A3-11	A4-11
				13			A3-12	A4-12

W2K Disk Administration			MYLEX AR352 Configuration					
Disk 5 480471MB			Controller # 4					
Partition			Slot# 10		Channels			
1	2	3		SCSI ID	A	B	C	D
M: CS5 Unknown 46592MB	N: MS5 Unknown 26112MB	Z: Backup5 NTFS 80005MB		0	A1-1	A2-1		
				1	A1-2	A2-2		
				2	A1-3	A2-3		
				3	A1-4	A2-4		
				4	A1-5	A2-5		
				5	A1-6	A2-6		
				8	A1-7	A2-7		
				9	A1-8	A2-8		
				10	A1-9	A2-9		
				11	A1-10	A2-10		
				12	A1-11	A2-11		
				13	A1-12	A2-12		

Comment: Detailed diagrams for layout of database files on disks can widely vary, and it is difficult to provide exact guideline suitable for all implementations. The intent is to provide sufficient detail to allow independent reconstruction of the test database. The two figures below are examples of database layout descriptions and are not intended to depict or imply any optimal layout for the TPC-C database.

8.1.5.3 A statement must be provided that describes:

1. The data model implemented by the DBMS used (e.g., relational, network, hierarchical)
2. The database interface (e.g., embedded, call level) and access language (e.g., SQL, DL/1, COBOL read/write) used to implement the TPC-C transactions. If more than one interface/access language is used to implement TPC-C, each interface/access language must be described and a list of which interface/access language is used with which transaction type must be disclosed.

Microsoft SQL Server 2000 Enterprise Edition is a relational DBMS.

The interface used was Microsoft SQL Server stored procedures accessed with Remote Procedure Calls embedded in C code using the Microsoft DBLIB interface.

Partition Mapping

The mapping of database partitions/replications must be explicitly described.

Comment: *The intent is to provide sufficient detail about partitioning and replication to allow independent reconstruction of the test database. (8.1.5.4)*

An description of a database partitioning scheme is presented below as an example. The nomenclature of this example was outlined using the CUSTOMER table (in Clause 8.1.2.1), and has been extended to use the ORDER and ORDER_LINE tables as well.

The database was not replicated.

60 day Space Calculation

Details of the 60 day space computations along with proof that the database is configured to sustain 8 hours of growth for the dynamic tables (Order, Order-Line, and History) must be disclosed (see Clause 4.2.3). (8.1.5.5)

To calculate the space required to sustain the database log for 8 hours of growth at steady state, the following steps were followed:

1. The current log space usage was determined by running *dbcc sqlperf(logspace)*
2. Transactions were run against the database with a full load of users.
3. The final log space usage was determined by running *dbcc sqlperf(logspace)*
4. The space used was calculated as the difference between the first and second query.
5. The number of NEW-ORDERS was verified from an RTE report covering the entire run.
6. The space used was divided by the number of NEW-ORDERS giving a spaceused per NEW-ORDER transaction.
7. The space used per transaction was multiplied by the measured tpmC rate times 480 minutes.

The results of the above steps yielded a requirement of 80.64 GB (including mirror) to sustain the log for 8 hours. Space available on the transaction log volume was 101.69GB (including mirror), indicating that enough storage was configured to sustain 8 hours of growth.

The same methodology was used to compute growth requirements for dynamic tables Order, Order-Line and History.

The details of the 60-day space requirement is shown in Appendix D.

Clause 5 -- Performance Metrics and Response Time Related Items

Measured TpmC

Measured tpmC must be reported. (8.1.6.1)

Measured TpmC 34914.92
 Price per TpmC \$5.27

Response Times

Ninetieth percentile, maximum and average response times must be reported for all transaction types as well as for the Menu response time. (8.1.6.2)

Table 6: Transaction Response Times

Transaction	Average	90%	Maximum
New Order	0.49	0.74	5.60
Payment	0.31	0.52	2.91
Order Status	0.38	0.60	5.75
Interactive Delivery	0.14	0.24	1.09
Deferred Delivery	0.58	1.00	2.02
Stock Level	2.11	3.67	9.18
Menu	0.14	0.25	1.34

Think Times & Key Times

The minimum, the average, and the maximum keying and think times must be reported for each transaction type. (8.1.6.3)

Table 7: Transaction Key Times

Transaction	Minimum	Average	Maximum
New Order	18.01	18.03	18.29
Payment	3.01	3.03	3.26
Order Status	2.01	2.03	2.17
Delivery	2.01	2.03	2.21
Stock Level	2.01	2.03	2.16

Table 8: Transaction Think Times

Transaction	Minimum	Average	Maximum
New Order	0.00	12.04	120.45
Payment	0.00	12.04	120.46
Order Status	0.00	10.06	100.42
Delivery	0.00	5.06	50.42
Stock Level	0.00	5.06	50.42

Response Time Distribution Curves

Response Time frequency distribution curves (see Clause 5.6.1) must be reported for each transaction type. (8.1.6.4)

Figure 3: New Order Response Time Distribution



Figure 4: Payment Response Time Distribution

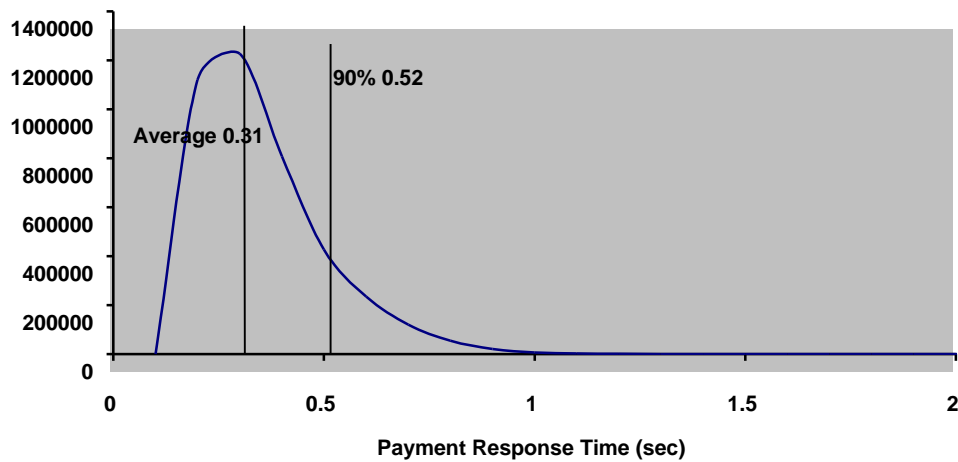


Figure 5: Order Status Response Time Distribution

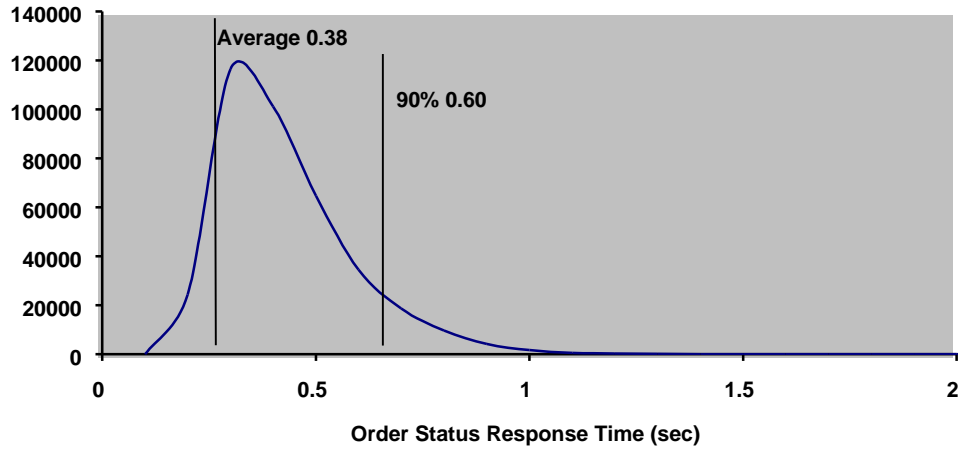


Figure 6: Delivery Response Time Distribution

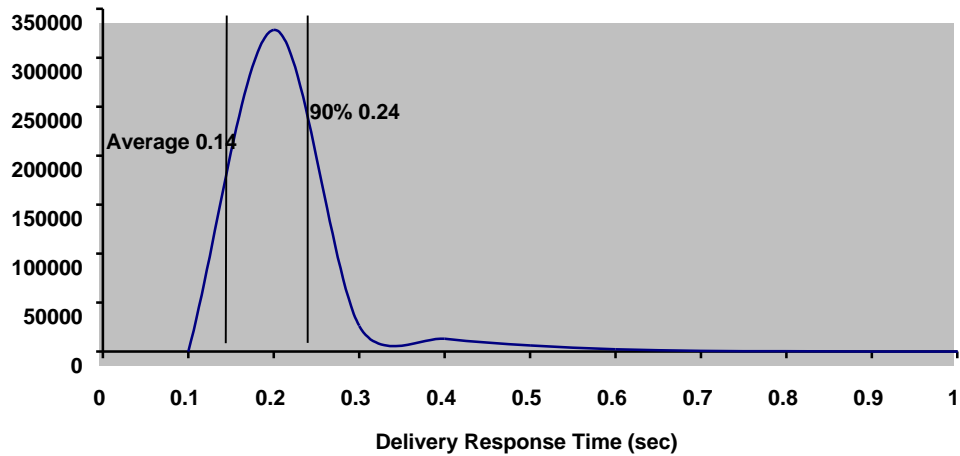
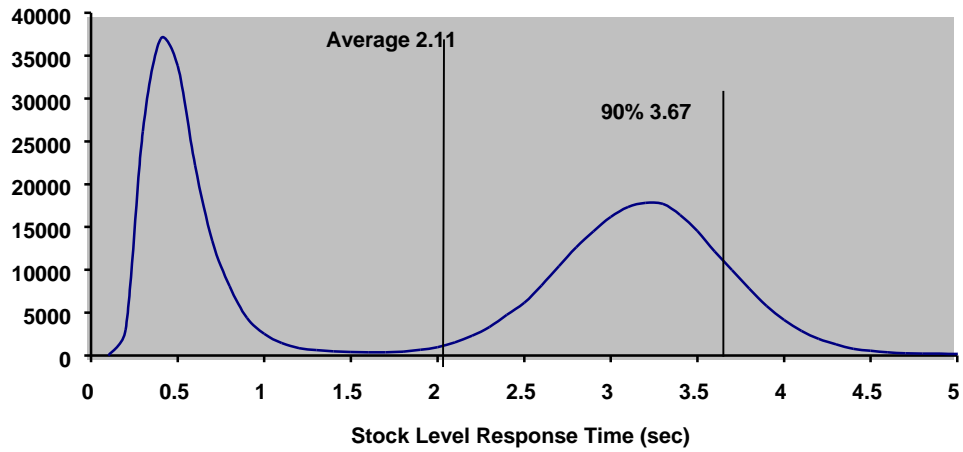


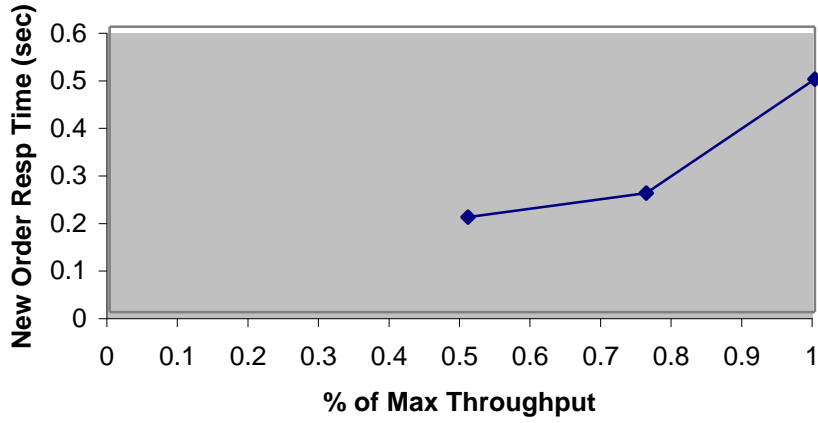
Figure 7: Stock Level Response Time Distribution



New-Order Response Time vs. Throughput Graph

The performance curve for response times versus throughput (see Clause 5.6.2) must be reported for the New-Order transaction. (8.1.6.5)

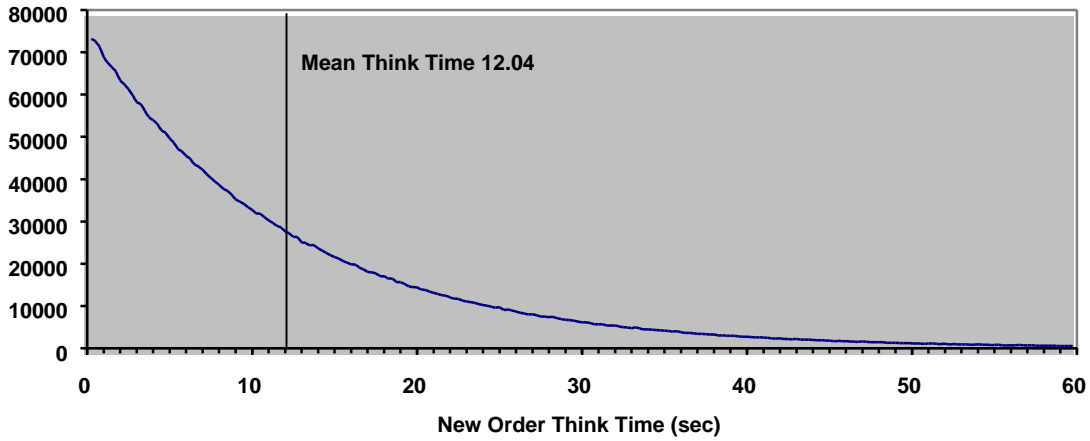
Figure 8: New Order Response Time vs. Throughput



New-Order Think Time Distribution Graph

Think Time frequency distribution curves (see Clause 5.6.3) must be reported for the New-Order transaction (8.1.6.6)

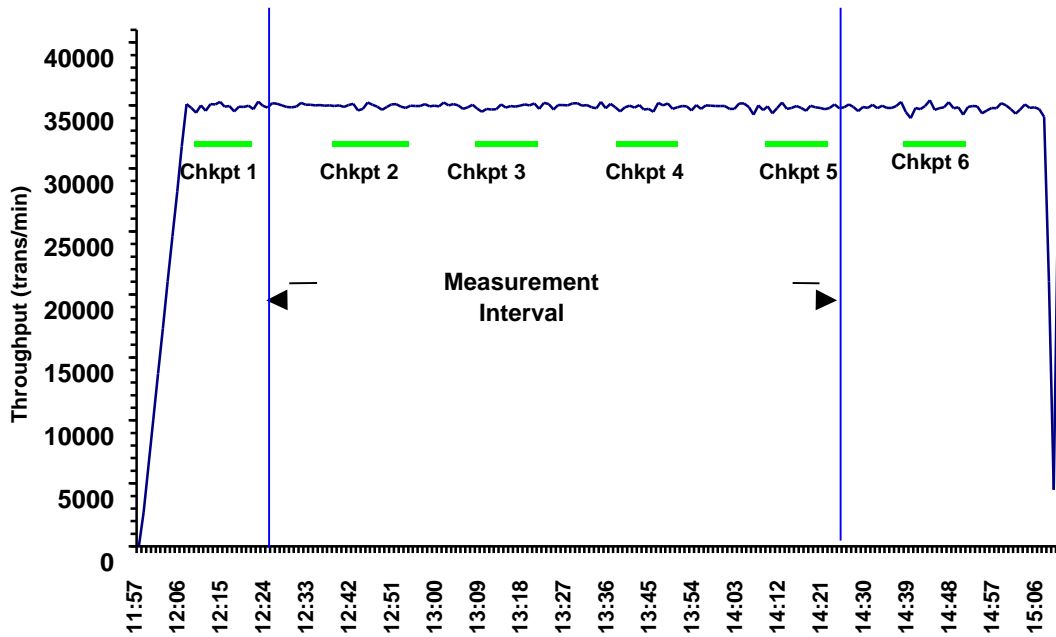
Figure 9: New Order Think Time Distribution



Steady-State Graph

A graph of throughput versus elapsed time (see Clause 5.6.5) must be reported for the New-Order transaction. (8.1.6.8)

Figure 10: New Order Throughput vs. Time



Steady-State Methodology

The method used to determine that the SUT had reached a steady state prior to commencing the measurement interval (see Clause 5.5) must be described. (8.1.6.9)

Steady state was determined using real time monitor utilities from both the operating system and the RTE. Steady state was further confirmed by the throughput data collected during the run and graphed in Figure 10.

Work Performed During Steady State

A description of how the work normally performed during a sustained test (for example checkpointing, writing redo/undo log records, etc.), actually occurred during the measurement interval must be reported. (8.1.6.10)

The RTE generated the required input data to choose a transaction from the menu. This data was timestamped. The menu response for the requested transaction was verified and timestamped in the RTE log files.

The RTE generated the required input data for the chosen transaction. It waited to complete the minimum required key time before transmitting the HTTP request to the client. The transmission was timestamped. The return of the screen with the required response data was timestamped. The difference between these two timestamps was the response time for that transaction and was logged in the RTE log.

The RTE then waited the required think time interval before repeating the process starting at selecting another transaction from the menu.

The RTE transmissions were sent to the web-based application program running on the client machines through Ethernet LANs. These web clients managed the emulated web browser interface as well as all requests to the database on the server. The applications communicated with the database server over another Ethernet LAN using the COM+ transaction monitor and Microsoft SQL Server DBLIB library and RPC calls.

To perform checkpoints at specific intervals, we set SQL Server *recovery interval* to the maximum allowable value and wrote a script to schedule multiple checkpoints at specific intervals. By setting the TRACE FLAG #3502, SQL Server logged the checkpoint beginning and ending time in the ERRORLOG file. The script included a wait time between each checkpoint equal to the measurement interval, which was 30 minutes. The checkpoint script was started manually after the RTE had all users logged in and sending transactions.

At each checkpoint, Microsoft SQL Server wrote to disk all memory pages that had been updated but not yet physically written to disk. Upon completion of the checkpoint, Microsoft SQL Server wrote a special record to the recovery log to indicate that all disk operations had been satisfied to this point.

Measurement Interval

A statement of the duration of the measurement interval for the reported Maximum Qualified Throughput (tpmC) must be included. (8.1.6.12)

The measurement interval was 7200 minutes.

Measurement Period Duration and Checkpoint Duration

The start time and duration in seconds of at least the four (4) longest checkpoints during the measurement interval must be disclosed (see clause 5.5.2.2(2)) (8.1.6.11)

A statement of the duration of the measurement interval for the reported Maximum Qualified Throughput (tpmC) must be included. (8.1.6.12)

	Start	End	Duration
Measurement Interval	12:25:43	14:25:23	7,200
1 st Checkpoint	12:39:38	12:53:38	840
2 nd Checkpoint	13:09:33	13:23:33	841
3 rd Checkpoint	13:39:28	13:53:28	840
4 th Checkpoint	14:09:23	14:23:23	840

Transaction Mix

8.1.6.13 *The method of regulation of the transaction mix (e.g., card decks or weighted random distribution) must be described. If weighted distribution is used and the RTE adjusts the weights associated with each transaction type, the maximum adjustments to the weight from the initial value must be disclosed. (8.1.6.13)*

The RTE was given a weighted random distribution that was not adjusted during the run.

The percentage of the total mix for each transaction type must be disclosed. (8.1.6.14)

Table 9: Transaction Mix

Transaction	Percentage
New Order	44.84%
Payment	43.06%
Order Status	4.03%
Delivery	4.04%
Stock Level	4.04%

Other Metrics

The percentage of New-Order transactions rolled back as a result of invalid item number must be disclosed. (8.1.6.15)

The average number of order-lines entered per New-Order transaction must be disclosed. (8.1.6.16)

The percentage of remote order-lines entered per New-Order transaction must be disclosed. (8.1.6.17)

The percentage of remote Payment transactions must be disclosed. (8.1.6.18)

The percentage of customer selections by customer last name in the Payment and Order-Status transactions must be disclosed. (8.1.6.19)

The percentage of Delivery transactions skipped due to there being fewer than necessary orders in the New-Order table must be disclosed. (8.1.6.20)

Table 10: Transaction Statistics

Transaction	Function	Value
New Order	Home Warehouse Items	99.00%
	Remote Warehouse Items	1.00%
	Rolled Back Transactions	0.99%
	Average Lines Per Order	10.00
Payment	Home Warehouse	84.98%
	Remote Warehouse	15.02%
	Non-Primary Key Access	60.01%
Order Status	Non-Primary Key Access	60.04%
Delivery	Skipped Transactions	0

Clause 6 -- SUT, Driver, and Communication Definition Related Items

RTE Parameters

The RTE input parameters, code fragments, functions, etc. used to generate each transaction input field must be disclosed. (8.1.7.1)

Comment: *The intent is to demonstrate the RTE was configured to generate transaction input data as specified in Clause 2.*

The RTE input parameters are listed in Appendix C - Tunable Parameters.

Emulated Components

It must be demonstrated that the functionality and performance of the components being emulated in the Driver System are equivalent to that of the priced system. The results of the test described in Clause 6.6.3.4 must be disclosed. (8.1.7.2)

No components were emulated.

Benchmarked and Targeted System Configuration Diagrams

A complete functional diagram of both the benchmark configuration and the configuration of the proposed (target) system must be disclosed. A detailed list of all software and hardware functionality being performed on the Driver System, and its interface to the SUT must be disclosed (see Clause 6.6.3.6). (8.1.7.3)

The driver system performed transaction data generation and communication to the client through the standard web browser (HTTP) protocol. It also captured and timestamped the SUT output data for post-processing of the reported metrics. No other functionality was included on the driver system.

Figures 1 & 2 of this report contain detailed diagrams of both the benchmark configuration and the priced configuration.

Network Configuration

The network configurations of both the tested services and the proposed (target) services which are being represented and a thorough explanation of exactly which parts of the proposed configuration are being replaced with the Driver System must be disclosed (see Clause 6.6.4). (8.1.7.4)

The network configurations of the benchmarked and priced configurations were identical.

Network Bandwidth

The bandwidth of the network(s) used in the tested/priced configuration must be disclosed. (8.1.7.5)

The bandwidth of the tested and priced networks were as follows:

- 10 BaseT (10 Mbit/sec) network segments between the RTE/Emulated Users and the switch.
- 100 BaseT (100 Mbit/sec) between the Clients and Server.

Operator Intervention

If the configuration requires operator intervention (see Clause 6.6.6), the mechanism and the frequency of this intervention must be disclosed. (8.1.7.6)

This configuration does not require any operator intervention to sustain eight hours of the reported throughput.

Clause 7 -- Pricing Related Items

Hardware and Software List

A detailed list of hardware and software used in the priced system must be reported. Each separately orderable item must have vendor part number, description, and release/revision level, and either general availability status or committed delivery date. If package-pricing is used, vendor part number of the package and a description uniquely identifying each of the components of the package must be disclosed.

Pricing source(s) and effective date(s) of price(s) must also be reported. (8.1.8.1)

The total 5-year price of the entire configuration must be reported, including: hardware, software, and maintenance charges. Separate component pricing is recommended. The basis of all discounts used must be disclosed. (8.1.8.2)

The details of the hardware and software are reported in the front of this report as part of the executive summary. All third party quotations are included at the end of this report as Appendix E.

Availability Date

The committed delivery date for general availability (availability date) of products used in the price calculations must be reported. When the priced system includes products with different availability dates, the reported availability date for the priced system must be the date at which all components are committed to be available. (8.1.8.3)

Hardware Availability Date: June 01, 2002

Software Availability Date: June 01, 2002

Measured TpmC

A statement of the measured tpmC, as well as the respective calculations for 5-year pricing, price/performance (price/tpmC), and the availability date must be included. (8.1.8.4)

Maximum Qualified Throughput: 34,914.92 tpmC

Price Performance Metric: \$5.27

Country Specific Pricing

Additional Clause 7 related items may be included in the Full Disclosure Report for each country specific priced configuration. Country specific pricing is subject to Clause 7.1.7. (8.1.8.5)

This system is priced for the United States of America.

Usage Pricing

For any usage pricing, the sponsor must disclose (8.1.8.6):

- *Usage level at which the component was priced.*
- *A statement of the company policy allowing such pricing.*

Comment: *Usage pricing may include, but is not limited to, the operating system and database management software.*

The component pricing based on usage is shown below:

- 3 Microsoft Windows 2000 Server Licenses
- 1 Microsoft Windows 2000 Advanced Server License
- 1 Microsoft SQL Server 2000 Enterprise Edition License.
- 1 Microsoft Visual C++ 32 bit Edition
- 3 Year Support for Hardware Components.

System Pricing

System pricing should include subtotals for the following components: Server Hardware, Server Software, Client Hardware, Client Software, and Network Components used for terminal connection (see Clause 7.2.2.3). Clause 6.1 describes the Server and Client components. An example of the standard pricing sheet is shown in Appendix B. (8.1.8.7)

System pricing must include line item indication where non-sponsoring companies' brands are used. System pricing must also include line item indication of third party pricing. See example in Appendix B. (8.1.8.8)

The details of the hardware and software are reported in the front of this report as part of the executive summary. All third party quotations are included at the end of this report as Appendix E.

Clause 9 -- Audit Related Items

Auditor

The auditor's name, address, phone number, and a copy of the auditor's attestation letter indicating compliance must be included in the Full Disclosure Report. (8.1.9.1)

A review of the pricing model is required to ensure that all components required are priced (see Clause 9.2.8). The auditor is not required to review the final Full Disclosure Report or the final pricing prior to issuing the attestations letter. (8.1.9.2)

This TPC-C benchmark has been audited by Lorna Livingtree of Performance Metrics.

Availability of the Full Disclosure Report

The Full Disclosure Report must be readily available to the public at a reasonable charge, similar to the charges for similar documents by the test sponsor. The report must be made available when results are made public. In order to use the phrase "TPC Benchmark™ C", the Full Disclosure Report must have been submitted to the TPC Administrator as well as written permission obtained to distribute same.

Requests for this TPC Benchmark C Full Disclosure Report should be sent to:

Transaction Processing Performance Council
c/o Administrator, TPC
Presidio of San Francisco
Bldg 572B Ruger St.
San Francisco, CA 94129-0920
Phone: (415) 561-6272, fax 415-561 6120
www.tpc.org

or:

Dell
One Dell Way
Round Rock, TX 78682
Attention: Mike Molloy

Auditor's Letter of Attestation

May 24, 2002

Mike Molloy
Senior Manager, Server Performance Analysis
Dell Computer Corporation
One Dell Way
Round Rock, TX 78682

I have verified by remote the TPC Benchmark™ C for the following configuration:

Platform: PowerEdge 6600
Database Manager: Microsoft SQL Server 2000 Enterprise Edition
Operating System: Microsoft Windows 2000 Advanced Server
Transaction Monitor: Microsoft COM+

Servers: PowerEdge 6600				
CPU's	Memory	Disks (total)	90% Response	TpmC
4 Intel Xeon MP @ 1.6 Ghz	Main: 8 GB Cache: 1 MB	140 @ 18GB 6 @ 36 GB	0.74	34,914.92
3 Clients: PowerEdge 1400SC				
1 Pentium III @ 1 Ghz	Main: 512 MB Cache: 256KB	1 @ 9.1GB	Na	Na

In my opinion, these performance results were produced in compliance with the TPC requirements for the benchmark. The following attributes of the benchmark were given special attention:

- The transactions were correctly implemented.
- The database files were properly sized and populated.
- The database was properly scaled with 3000 warehouses of which 2808 were active during the measured interval.
- The ACID properties were successfully demonstrated.
- Data loss durability was demonstrated on an appropriate subset of the SUT with 3000 active users.
- Input data was generated according to the specified percentages.
- Eight hours of mirrored log space was present on the tested system.
- Eight hours of growth space for the dynamic tables was present on the tested system.
- The data for the 60 day space calculation was verified.
- The controller cache was disabled on the log controller.

- The steady state portion of the test was 120 minutes.
- One checkpoint was taken before the measured interval.
- Four checkpoints were taken during the measured interval.

Auditor Notes:

The 1 Ghz processors measured on the clients machines are no longer orderable. The sponsor has substituted a 1.13 Ghz processor in the priced configuration. All other aspects of the processor are the same. This substitution is compliant with the substitution rules.

Sincerely,

A handwritten signature in cursive script that reads "Lorna Livingtree".

Lorna Livingtree
Auditor

Appendix A - Application Source Code

Appendix A - Application Source Code

tpcc.dll ISAPI DLL Source Code

isapi_dll/src/tpcc.def

```
LIBRARY TPCC.DLL

EXPORTS

    GetExtensionVersion @1
    HttpExtensionProc @2
    TerminateExtension @3
```

Isapi_dll/src/tpcc.h

```
/*      FILE:          TPCC.H
 *
 *      Microsoft TPC-C Kit Ver. 4.20.000
 *      Copyright Microsoft, 1999
 *
 *      All Rights Reserved
 *
 *      Version 4.10.000 audited by Richard Gimarc,
 *      Performance Metrics, 3/17/99
 *
 *      PURPOSE:  Header file for ISAPI TPCC.DLL, defines structures and functions used
 *      in the isapi tpcc.dll.
 */

//VERSION RESOURCE DEFINES
#define _APS_NEXT_RESOURCE_VALUE          101
#define _APS_NEXT_COMMAND_VALUE          40001
#define _APS_NEXT_CONTROL_VALUE          1000
#define _APS_NEXT_SYMED_VALUE          101

#define TP_MAX_RETRIES
    50

//note that the welcome form must be processed first as terminal ids assigned here, once
the
//terminal id is assigned then the forms can be processed in any order.
#define WELCOME_FORM                      1
    //beginning form no term id assigned, form id
```

```
#define MAIN_MENU_FORM                    2
    //term id assigned main menu form id
#define NEW_ORDER_FORM                    3
    //new order form id
#define PAYMENT_FORM                      4
    //payment form id
#define DELIVERY_FORM                     5
    //delivery form id
#define ORDER_STATUS_FORM                 6
    //order status id
#define STOCK_LEVEL_FORM                  7
    //stock level form id

//This macro is used to prevent the compiler error unused formal parameter
#define UNUSEDPARAM(x) (x = x)

//This structure defines the data necessary to keep distinct for each terminal or client
connection.
typedef struct _CLIENTDATA
{
    int                iNextFree;
    //index of next free element or -1 if this entry in use.
    int                w_id;
    //warehouse id assigned at welcome form
    int                d_id;
    //district id assigned at welcome form

    int                iSyncId;
    //synchronization id
    int                iTickCount;
    //time of last access;

    CTPCC_BASE        *pTxn;
} CLIENTDATA, *PCLIENTDATA;

//This structure is used to define the operational interface for terminal id support
typedef struct _TERM
{
    int                iNumEntries;
    //total allocated terminal array entries
    int                iFreeList;
    //next available terminal array element or -1 if none
    int                iMasterSyncId;
    //synchronization id
    CLIENTDATA        *pClientData;
    //pointer to allocated client data
} TERM;

typedef TERM *PTERM;
    //pointer to terminal structure type

enum WEBERROR
{
    NO_ERR,
    ERR_COMMAND_UNDEFINED,
    ERR_D_ID_INVALID,
    ERR_DELIVERY_CARRIER_ID_RANGE,
    ERR_DELIVERY_CARRIER_INVALID,
    ERR_DELIVERY_MISSING_OCD_KEY,
```

Appendix A - Application Source Code

```
ERR_DELIVERY_THREAD_FAILED,
ERR_GETPROCADDR_FAILED,
ERR_HTML_ILL_FORMED,
ERR_INVALID_SYNC_CONNECTION,
ERR_INVALID_TERMID,
ERR_LOADDLL_FAILED,
ERR_MAX_CONNECTIONS_EXCEEDED,
ERR_MEM_ALLOC_FAILED,
ERR_MISSING_REGISTRY_ENTRIES,
ERR_NEWORDER_CUSTOMER_INVALID,
ERR_NEWORDER_CUSTOMER_KEY,
ERR_NEWORDER_DISTRICT_INVALID,
ERR_NEWORDER_FORM_MISSING_DID,
ERR_NEWORDER_ITEMID_INVALID,
ERR_NEWORDER_ITEMID_RANGE,
ERR_NEWORDER_ITEMID_WITHOUT_SUPPW,
ERR_NEWORDER_MISSING_IID_KEY,
ERR_NEWORDER_MISSING_QTY_KEY,
ERR_NEWORDER_MISSING_SUPPW_KEY,
ERR_NEWORDER_NOITEMS_ENTERED,
ERR_NEWORDER_QTY_INVALID,
ERR_NEWORDER_QTY_RANGE,
ERR_NEWORDER_QTY_WITHOUT_SUPPW,
ERR_NEWORDER_SUPPW_INVALID,
ERR_NO_SERVER_SPECIFIED,
ERR_ORDERSTATUS_CID_AND_CLT,
ERR_ORDERSTATUS_CID_INVALID,
ERR_ORDERSTATUS_CLT_RANGE,
ERR_ORDERSTATUS_DID_INVALID,
ERR_ORDERSTATUS_MISSING_CID_CLT,
ERR_ORDERSTATUS_MISSING_CID_KEY,
ERR_ORDERSTATUS_MISSING_CLT_KEY,
ERR_ORDERSTATUS_MISSING_DID_KEY,
ERR_PAYMENT_CDI_INVALID,
ERR_PAYMENT_CID_AND_CLT,
ERR_PAYMENT_CUSTOMER_INVALID,
ERR_PAYMENT_CWI_INVALID,
ERR_PAYMENT_DISTRICT_INVALID,
ERR_PAYMENT_HAM_INVALID,
ERR_PAYMENT_HAM_RANGE,
ERR_PAYMENT_LAST_NAME_TOO_LONG,
ERR_PAYMENT_MISSING_CDI_KEY,
ERR_PAYMENT_MISSING_CID_CLT,
ERR_PAYMENT_MISSING_CID_KEY,
ERR_PAYMENT_MISSING_CLT,
ERR_PAYMENT_MISSING_CLT_KEY,
ERR_PAYMENT_MISSING_CWI_KEY,
ERR_PAYMENT_MISSING_DID_KEY,
ERR_PAYMENT_MISSING_HAM_KEY,
ERR_STOCKLEVEL_MISSING_THRESHOLD_KEY,
ERR_STOCKLEVEL_THRESHOLD_INVALID,
ERR_STOCKLEVEL_THRESHOLD_RANGE,
ERR_VERSION_MISMATCH,
ERR_W_ID_INVALID
};

class CWEBCLNT_ERR : public CBaseErr
{
public:
    CWEBCLNT_ERR(WEBERROR Err)
    {
        m_Error = Err;
    }
};

m_szTextDetail = NULL;
m_SystemErr = 0;
m_szErrorText = NULL;
};

CWEBCLNT_ERR(WEBERROR Err, char *szTextDetail, DWORD dwSystemErr)
{
    m_Error = Err;
    m_szTextDetail = new char[strlen(szTextDetail)+1];
    strcpy(m_szTextDetail, szTextDetail);
    m_SystemErr = dwSystemErr;
    m_szErrorText = NULL;
};

~CWEBCLNT_ERR()
{
    if (m_szTextDetail != NULL)
        delete [] m_szTextDetail;
    if (m_szErrorText != NULL)
        delete [] m_szErrorText;
};

WEBERROR m_Error;
char *m_szTextDetail; //
char *m_szErrorText;
DWORD m_SystemErr;

int ErrorType() {return ERR_TYPE_WEBDLL;};
int ErrorNum() {return m_Error;};
char *ErrorText();
};

//These constants have already been defined in engstut.h, but since we do
//not want to include it in the delisrv executable
#define TXN_EVENT_START 2
#define TXN_EVENT_STOP 4
#define TXN_EVENT_WARNING 6 //used to record a warning into the log

//function prototypes

BOOL WINAPI DllMain(HANDLE hModule, DWORD ul_reason_for_call, LPVOID lpReserved);
void WriteMessageToEventLog(LPTSTR lpszMsg);
void ProcessQueryString(EXTENSION_CONTROL_BLOCK *pECB, int *pCmd, int *pFormId, int *pTermId, int *pSyncId);
void WelcomeForm(EXTENSION_CONTROL_BLOCK *pECB, char *szBuffer);
void SubmitCmd(EXTENSION_CONTROL_BLOCK *pECB, char *szBuffer);
void BeginCmd(EXTENSION_CONTROL_BLOCK *pECB, int iFormId, int iTermId);
void ProcessCmd(EXTENSION_CONTROL_BLOCK *pECB, int iFormId, int iTermId);
void StatsCmd(EXTENSION_CONTROL_BLOCK *pECB, char *szBuffer);
void ErrorMessage(EXTENSION_CONTROL_BLOCK *pECB, int iError, int iErrorType, char *szMsg, int iTermId);
void GetKeyValue(char **pQueryString, char *pKey, char *pValue, int iMax, WEBERROR err);
int GetIntKeyValue(char **pQueryString, char *pKey, WEBERROR NoKeyErr, WEBERROR NotIntErr);
void TermInit(void);
void TermDeleteAll(void);
int TermAdd(void);
void TermDelete(int id);
void ErrorForm(EXTENSION_CONTROL_BLOCK *pECB, int iType, int iErrorNum, int iTermId, int iSyncId, char *szErrorText, char *szBuffer);
void MakeMainMenuForm(int iTermId, int iSyncId, char *szForm);
```

Appendix A - Application Source Code

```
void MakeStockLevelForm(int iTermId, STOCK_LEVEL_DATA *pStockLevelData, BOOL bInput, char *szForm);
void MakeNewOrderForm(int iTermId, NEW_ORDER_DATA *pNewOrderData, BOOL bInput, char *szForm);
void MakePaymentForm(int iTermId, PAYMENT_DATA *pPaymentData, BOOL bInput, char *szForm);
void MakeOrderStatusForm(int iTermId, ORDER_STATUS_DATA *pOrderStatusData, BOOL bInput, char *szForm);
void MakeDeliveryForm(int iTermId, DELIVERY_DATA *pDeliveryData, BOOL bInput, char *szForm);
void ProcessNewOrderForm(EXTENSION_CONTROL_BLOCK *pECB, int iTermId, char *szBuffer);
void ProcessPaymentForm(EXTENSION_CONTROL_BLOCK *pECB, int iTermId, char *szBuffer);
void ProcessOrderStatusForm(EXTENSION_CONTROL_BLOCK *pECB, int iTermId, char *szBuffer);
void ProcessDeliveryForm(EXTENSION_CONTROL_BLOCK *pECB, int iTermId, char *szBuffer);
void ProcessStockLevelForm(EXTENSION_CONTROL_BLOCK *pECB, int iTermId, char *szBuffer);
void GetNewOrderData(LPSTR lpszQueryString, NEW_ORDER_DATA *pNewOrderData);
void GetPaymentData(LPSTR lpszQueryString, PAYMENT_DATA *pPaymentData);
void GetOrderStatusData(LPSTR lpszQueryString, ORDER_STATUS_DATA *pOrderStatusData);
BOOL PostDeliveryInfo(short w_id, short o_carrier_id);
BOOL IsNumeric(char *ptr);
BOOL IsDecimal(char *ptr);
void DeliveryWorkerThread(void *ptr);
```

isapi_dll/src/tpcc.rc

```
//Microsoft Developer Studio generated resource script.
//
#include "resource.h"

#define APSTUDIO_READONLY_SYMBOLS
//
// Generated from the TEXTINCLUDE 2 resource.
//
#include "afxres.h"

//
// English (U.S.) resources
//

#if !defined(AFX_RESOURCE_DLL) || defined(AFX_TARG_ENU)
#ifdef _WIN32
LANGUAGE LANG_ENGLISH, SUBLANG_ENGLISH_US
#pragma code_page(1252)
#endif // _WIN32

#ifdef _MAC
//
// Version
//

VS_VERSION_INFO VERSIONINFO
FILEVERSION 0,4,0,0
PRODUCTVERSION 0,4,0,0
FILEFLAGSMASK 0x3fL
#ifdef _DEBUG
FILEFLAGS 0x1L
```

```
#else
FILEFLAGS 0x0L
#endif
FILEOS 0x40004L
FILETYPE 0x2L
FILESUBTYPE 0x0L
BEGIN
BLOCK "StringFileInfo"
BEGIN
BLOCK "040904b0"
BEGIN
VALUE "Comments", "TPC-C HTML DLL Server (DBLIB)\0"
VALUE "CompanyName", "Microsoft\0"
VALUE "FileDescription", "TPC-C HTML DLL Server (DBLIB)\0"
VALUE "FileVersion", "0, 4, 0, 0\0"
VALUE "InternalName", "tpcc\0"
VALUE "LegalCopyright", "Copyright © 1997\0"
VALUE "OriginalFilename", "tpcc.dll\0"
VALUE "ProductName", "Microsoft tpcc\0"
VALUE "ProductVersion", "0, 4, 0, 0\0"
END
END
BLOCK "VarFileInfo"
BEGIN
VALUE "Translation", 0x409, 1200
END
END

#endif // !_MAC

#ifdef APSTUDIO_INVOKED
//
// TEXTINCLUDE
//

1 TEXTINCLUDE DISCARDABLE
BEGIN
"resource.h\0"
END

2 TEXTINCLUDE DISCARDABLE
BEGIN
#include "\"afxres.h\"\\r\\n"
"\0"
END

3 TEXTINCLUDE DISCARDABLE
BEGIN
"\r\\n"
"\0"
END

#endif // APSTUDIO_INVOKED

//
// Dialog
//

IDD_DIALOG1 DIALOG DISCARDABLE 0, 0, 186, 95
```

Appendix A - Application Source Code

```
STYLE_DS_MODALFRAME | WS_POPUP | WS_CAPTION | WS_SYSMENU
CAPTION "Dialog"
FONT 8, "MS Sans Serif"
BEGIN
    DEFPUSHBUTTON   "OK",IDOK,129,7,50,14
    PUSHBUTTON     "Cancel",IDCANCEL,129,24,50,14
END

////////////////////////////////////
//
// DESIGNINFO
//

#ifdef APSTUDIO_INVOKED
GUIDELINES DESIGNINFO DISCARDABLE
BEGIN
    IDD_DIALOG1, DIALOG
    BEGIN
        LEFTMARGIN, 7
        RIGHTMARGIN, 179
        TOPMARGIN, 7
        BOTTOMMARGIN, 88
    END
END
#endif // APSTUDIO_INVOKED

#endif // English (U.S.) resources
////////////////////////////////////

#ifndef APSTUDIO_INVOKED
////////////////////////////////////
//
// Generated from the TEXTINCLUDE 3 resource.
//

////////////////////////////////////
#endif // not APSTUDIO_INVOKED

isapi_dll/src/tpcc.cpp

/*      FILE:          TPCC.C
 *
 *      Microsoft TPC-C Kit Ver. 4.20.000
 *      Copyright Microsoft, 1999
 *
 *      All Rights Reserved
 *
 *      Version 4.10.000 audited by Richard Gimarc,
 *      Performance Metrics, 3/17/99
 *
 *      PURPOSE:  Main module for TPCC.DLL which is an ISAPI service dll.
 *      Contact:  Charles Levine (clevine@microsoft.com)
 *
 *      Change history:
 *      4.20.000 - reworked error handling; added options for COM and Encina
 *      txn monitors
 */
```

```
*/
#include <windows.h>
#include <process.h>
#include <tchar.h>
#include <stdio.h>
#include <stdarg.h>
#include <malloc.h>
#include <stdlib.h>
#include <string.h>
#include <time.h>
#include <sys\timeb.h>
#include <io.h>
#include <assert.h>

#include <sqltypes.h>

#ifdef ICECAP
#include <icapexp.h>
#endif

#include "..\..\common\src\trans.h" //tpckit transaction header contains
definitions of structures specific to TPC-C
#include "..\..\common\src\error.h"
#include "..\..\common\src\txn_base.h"
#include "..\..\common\src\ReadRegistry.h"

#include "..\..\common\txnlog\include\rtetime.h"
#include "..\..\common\txnlog\include\spinlock.h"
#include "..\..\common\txnlog\include\txnlog.h"

// Database layer includes
#include "..\..\db_dblib_dll\src\tpcc_dblib.h" // DBLIB implementation of
TPC-C txns
#include "..\..\db_odbc_dll\src\tpcc_odbc.h" // ODBC implementation of
TPC-C txns

// Txn monitor layer includes
#include "..\..\tm_com_dll\src\tpcc_com.h" // COM Services
implementation on TPC-C txns
#include "..\..\tm_tuxedo_dll\src\tpcc_tux.h" // interface to Tuxedo
libraries
#include "..\..\tm_encina_dll\src\tpcc_enc.h" // interface to Encina
libraries

#include "httpext.h" //ISAPI DLL information
header
#include "tpcc.h" //this dlls specific
structure, value e.t. header.

#define LEN_ERR_STRING 256

// defines for Make<Txn>Form calls to distinguish input and output flavors
#define OUTPUT_FORM 0
#define INPUT_FORM 1

char szMyComputerName[MAX_COMPUTERNAME_LENGTH+1];

//Terminal client id structure
TERM Term = { 0, 0, 0, NULL };

// The WEBCLIENT_VERSION string specifies the version level of this web client interface.
```


Appendix A - Application Source Code

```
// The RTE must be synchronized with the interface level on login, otherwise the login
// will fail. This is a sanity check to catch problems resulting from mismatched
versions
// of the RTE and web client.
#define WEBCLIENT_VERSION "410"

static CRITICAL_SECTION TermCriticalSection;

static HINSTANCE hLibInstanceTm = NULL;
static HINSTANCE hLibInstanceDb = NULL;

TYPE_CTPCC_DBLIB *pCTPCC_DBLIB_new;
TYPE_CTPCC_ODBC *pCTPCC_ODBC_new;
TYPE_CTPCC_TUXEDO *pCTPCC_TUXEDO_new;
TYPE_CTPCC_ENCINA *pCTPCC_ENCINA_new;
TYPE_CTPCC_ENCINA *pCTPCC_ENCINA_post_init;
TYPE_CTPCC_COM *pCTPCC_COM_new;

// For deferred Delivery txns:

CTxnLog *pTxnLog; //used to log delivery transaction information *txnDelilog = NULL;

HANDLE hWorkerSemaphore = INVALID_HANDLE_VALUE;
HANDLE hDoneEvent = INVALID_HANDLE_VALUE;
HANDLE *pDeliHandles = NULL;

// configuration settings from registry
TPCCREGISTRYDATA Reg;

DWORD dwNumDeliveryThreads = 4;
CRITICAL_SECTION DelBuffCriticalSection; //critical section
DELIVERY_TRANSACTION *pDelBuff = NULL;
DWORD dwDelBuffSize = 100;
DWORD // size of circular buffer for delivery txns dwDelBuffFreeCount;
DWORD // number of buffers free dwDelBuffBusyIndex = 0;
DWORD // index position of entry waiting to be delivered dwDelBuffFreeIndex = 0;
DWORD // index position of unused entry

#include "..\..\common\src\ReadRegistry.cpp"

/* FUNCTION: DllMain
*
* PURPOSE: This function is the entry point for the DLL. This implementation is
based on the fact that DLL_PROCESS_ATTACH is only called from the inet
service once.
*
* ARGUMENTS: HANDLE hModule module handle
DWORD ul_reason_for_call reason for call
LPVOID lpReserved reserved for future use
*
* RETURNS: BOOL FALSE errors
occured in initialization
```

```
* TRUE
*/
DLL successfully initialized

BOOL WINAPI DllMain(HANDLE hModule, DWORD ul_reason_for_call, LPVOID lpReserved)
{
    DWORD i;
    char szEvent[LEN_ERR_STRING] = "\0";
    char szLogFile[128];
    char szDllName[128];

    // debugging...
    // DebugBreak();

    try
    {
        switch( ul_reason_for_call )
        {
            case DLL_PROCESS_ATTACH:
            {
                DWORD dwSize =
                MAX_COMPUTERNAME_LENGTH+1;
                GetComputerName(szMyComputerName,
                &dwSize);
                szMyComputerName[dwSize] = 0;

                DisableThreadLibraryCalls((HMODULE)hModule);
                InitializeCriticalSection(&TermCriticalSection);

                if ( ReadTPCCRegistrySettings( &Reg ) )
                    throw new CWEBCLNT_ERR(
                    ERR_MISSING_REGISTRY_ENTRIES );

                dwDelBuffSize = min( Reg.dwMaxPendingDeliveries,
                10000 ); // min with 10000 as a sanity constraint
                dwNumDeliveryThreads = min(
                Reg.dwNumberOfDeliveryThreads, 100 ); // min with 100 as a sanity constraint

                TermInit();

                // load DLL for txn monitor
                if (Reg.eTxnMon == TUXEDO)
                {
                    strcpy( szDllName, Reg.szPath );
                    strcat( szDllName, "tpcc_tuxedo.dll");
                    hLibInstanceTm = LoadLibrary( szDllName );

                    if (hLibInstanceTm == NULL)
                        throw new CWEBCLNT_ERR(
                        ERR_LOADDLL_FAILED, szDllName, GetLastError() );

                    // get function pointer to wrapper for
                    class constructor
                    pCTPCC_TUXEDO_new =
                    (TYPE_CTPCC_TUXEDO*) GetProcAddress(hLibInstanceTm, "CTPCC_TUXEDO_new");
                    if (pCTPCC_TUXEDO_new == NULL)
                        throw new CWEBCLNT_ERR(
                        ERR_GETPROCADDR_FAILED, szDllName, GetLastError() );
                }
                else if (Reg.eTxnMon == ENCINA)
                {
                    strcpy( szDllName, Reg.szPath );
                }
            }
        }
    }
}
```

Appendix A - Application Source Code

```
);
    strcat( szDllName, "tpcc_encina.dll");
    hLibInstanceTm = LoadLibrary( szDllName
);
    if (hLibInstanceTm == NULL)
        throw new CWBCLNT_ERR(
ERR_LOADDLL_FAILED, szDllName, GetLastError() );
    // get function pointer to wrapper for
class constructor
    pCTPCC_ENCINA_new =
(TYPE_CTPCC_ENCINA*) GetProcAddress(hLibInstanceTm,"CTPCC_ENCINA_new");
    pCTPCC_ENCINA_post_init =
(TYPE_CTPCC_ENCINA*) GetProcAddress(hLibInstanceTm,"CTPCC_ENCINA_post_init");
    if (pCTPCC_ENCINA_new == NULL)
        throw new CWBCLNT_ERR(
ERR_GETPROCADDR_FAILED, szDllName, GetLastError() );
    }
    else if (Reg.eTxnMon == COM)
    {
        strcpy( szDllName, Reg.szPath );
        strcat( szDllName, "tpcc_com.dll");
        hLibInstanceTm = LoadLibrary( szDllName
);
    if (hLibInstanceTm == NULL)
        throw new CWBCLNT_ERR(
ERR_LOADDLL_FAILED, szDllName, GetLastError() );
    // get function pointer to wrapper for
class constructor
    pCTPCC_COM_new = (TYPE_CTPCC_COM*)
GetProcAddress(hLibInstanceTm,"CTPCC_COM_new");
    if (pCTPCC_COM_new == NULL)
        throw new CWBCLNT_ERR(
ERR_GETPROCADDR_FAILED, szDllName, GetLastError() );
    }
    // load DLL for database connection
    if ((Reg.eTxnMon == None) ||
(dwNumDeliveryThreads > 0))
    {
        if (Reg.eDB_Protocol == DBLIB)
        {
            strcpy( szDllName, Reg.szPath
);
            strcat( szDllName,
"tpcc_dblib.dll");
            hLibInstanceDb = LoadLibrary(
szDllName );
            if (hLibInstanceDb == NULL)
                throw new
CWBCLNT_ERR( ERR_LOADDLL_FAILED, szDllName, GetLastError() );
            // get function pointer to
wrapper for class constructor
            pCTPCC_DBLIB_new =
(TYPE_CTPCC_DBLIB*) GetProcAddress(hLibInstanceDb,"CTPCC_DBLIB_new");
            if (pCTPCC_DBLIB_new == NULL)
                throw new
CWBCLNT_ERR( ERR_GETPROCADDR_FAILED, szDllName, GetLastError() );
            }
            else if (Reg.eDB_Protocol == ODBC)
            {
                strcpy( szDllName, Reg.szPath
```

```

            strcat( szDllName,
"tpcc_odbc.dll");
            hLibInstanceDb = LoadLibrary(
szDllName );
            if (hLibInstanceDb == NULL)
                throw new
CWBCLNT_ERR( ERR_LOADDLL_FAILED, szDllName, GetLastError() );
            // get function pointer to
wrapper for class constructor
            pCTPCC_ODBC_new =
(TYPE_CTPCC_ODBC*) GetProcAddress(hLibInstanceDb,"CTPCC_ODBC_new");
            if (pCTPCC_ODBC_new == NULL)
                throw new
CWBCLNT_ERR( ERR_GETPROCADDR_FAILED, szDllName, GetLastError() );
            }
        }
    if (dwNumDeliveryThreads)
    {
        // for deferred delivery txns:
        hDoneEvent = CreateEvent( NULL, TRUE /*
manual reset */, FALSE /* initially not signalled */, NULL );
        InitializeCriticalSection(&DelBuffCriticalSection);
        hWorkerSemaphore = CreateSemaphore(
NULL, 0, dwDelBuffSize, NULL );
        dwDelBuffFreeCount = dwDelBuffSize;
        InitJulianTime(NULL);
        // create unique log file name based on
delilog-yymmdd-hhmm.log
        SYSTEMTIME Time;
        GetLocalTime( &Time );
        wsprintf( szLogFile, "%sdelivery-
%2.2d%2.2d%2.2d-%2.2d%2.2d.log",
            Reg.szPath,
Time.wYear % 100, Time.wMonth, Time.wDay, Time.wHour, Time.wMinute );
        txnDelilog = new CTxnLog(szLogFile,
TXN_LOG_WRITE);
        //write event into txn log for START
txnDelilog-
>WriteCtrlRecToLog(TXN_EVENT_START, szMyComputerName, sizeof(szMyComputerName));
        // allocate structures for delivery
buffers and thread mgmt
        pDeliHandles = new
HANDLE[dwNumDeliveryThreads];
        pDelBuff = new
DELIVERY_TRANSACTION[dwDelBuffSize];
        // launch DeliveryWorkerThread to
perform actual delivery txns
        for(i=0; i<dwNumDeliveryThreads; i++)
        {
            pDeliHandles[i] = (HANDLE)
            if (pDeliHandles[i] ==
                throw new
CWBCLNT_ERR( ERR_DELIVERY_THREAD_FAILED );
        }
    }
```

Appendix A - Application Source Code

```
    }
    break;

case DLL_PROCESS_DETACH:
    if (dwNumDeliveryThreads)
    {
        if (txnDelilog != NULL)
        {
            //write event into txn log
            txnDelilog->
            >WriteCtrlRecToLog(TXN_EVENT_STOP, szMyComputerName, sizeof(szMyComputerName));

            // This will do a clean
            CTxnLog *txnDelilogLocal =
            txnDelilog;
            delete txnDelilogLocal;

            delete [] pDeliHandles;
            delete [] pDelBuff;

            CloseHandle( hWorkerSemaphore );
            CloseHandle( hDoneEvent );

            DeleteCriticalSection(&DelBuffCriticalSection);
        }

        DeleteCriticalSection(&TermCriticalSection);

        if (hLibInstanceTm != NULL)
            FreeLibrary( hLibInstanceTm );
        hLibInstanceTm = NULL;

        if (hLibInstanceDb != NULL)
            FreeLibrary( hLibInstanceDb );
        hLibInstanceDb = NULL;

        Sleep(500);
        break;

    default:
        /* nothing */;
    }
}
catch (CBaseErr *e)
{
    WriteMessageToEventLog( e->ErrorText() );
    delete e;
    TerminateExtension(0);
    return FALSE;
}
catch (...)
{
    WriteMessageToEventLog(TEXT("Unhandled exception. DLL could not
load."));
    TerminateExtension(0);
    return FALSE;
}
```

```
    return TRUE;
}

/* FUNCTION: GetExtensionVersion
 *
 * PURPOSE: This function is called by the inet service when the DLL is first
loaded.
 *
 * ARGUMENTS: HSE_VERSION_INFO *pVer passed in structure in which to place
expected version number.
 *
 * RETURNS: TRUE inet service expected return value.
 */

BOOL WINAPI GetExtensionVersion(HSE_VERSION_INFO *pVer)
{
    pVer->dwExtensionVersion = MAKELONG(HSE_VERSION_MINOR, HSE_VERSION_MAJOR);
    lstrcpy(pVer->lpszExtensionDesc, "TPC-C Server.", HSE_MAX_EXT_DLL_NAME_LEN);

    // TODO: why do we need this here instead of in the DLL attach?
    if (Reg.eTxnMon == ENCINA)
        pCTPCC_ENCINA_post_init();

    return TRUE;
}

/* FUNCTION: TerminateExtension
 *
 * PURPOSE: This function is called by the inet service when the DLL is about to
be unloaded.
 *
 * ARGUMENTS: Release all resources in anticipation of being unloaded.
 *
 * RETURNS: TRUE inet service expected return value.
 */

BOOL WINAPI TerminateExtension( DWORD dwFlags )
{
    if (pDeliHandles)
    {
        SetEvent( hDoneEvent );
        for(DWORD i=0; i<dwNumDeliveryThreads; i++)
            WaitForSingleObject( pDeliHandles[i], INFINITE );
    }

    TermDeleteAll();
    return TRUE;
}

/* FUNCTION: HttpExtensionProc
 *
 * PURPOSE: This function is the main entry point for the TPCC DLL. The internet
service
 *
 * ARGUMENTS: EXTENSION_CONTROL_BLOCK *pECB structure pointer to passed
in internet
 *
 * ARGUMENTS: service information.
 *
 * RETURNS: DWORD HSE_STATUS_SUCCESS
connection can be dropped if error
```

Appendix A - Application Source Code

```
*
      HSE_STATUS_SUCCESS_AND_KEEP_CONN      keep connect valid comment sent
*
* COMMENTS:      None
*/
DWORD WINAPI HttpExtensionProc(EXTENSION_CONTROL_BLOCK *pECB)
{
    int          iCmd, FormId, TermId, iSyncId;
    char         szBuffer[4096];

    int          lpbSize;
    static char  szHeader[] = "200 Ok";
    DWORD        dwSize = 6;          // initial value is
    strlen(szHeader)
    char         szHeader1[4096];

#ifdef ICECAP
    StartCAP();
#endif

    try
    {
        //process http query
        ProcessQueryString(pECB, &iCmd, &FormId, &TermId, &iSyncId);

        if (TermId != 0)
        {
            if ( TermId < 0 || TermId >= Term.iNumEntries ||
                Term.pClientData[TermId].iNextFree != -1 )
            {
                // debugging...
                char szTmp[128];
                wsprintf( szTmp, "Invalid term ID; TermId = %d",
                    TermId );
                WriteMessageToEventLog( szTmp );
                throw new CWEBCLNT_ERR( ERR_INVALID_TERMID );
            }

            //must have a valid syncid here since termid is valid
            if (iSyncId != Term.pClientData[TermId].iSyncId)
                throw new CWEBCLNT_ERR(
                    ERR_INVALID_SYNC_CONNECTION );

            //set use time
            Term.pClientData[TermId].iTickCount = GetTickCount();
        }

        switch(iCmd)
        {
        case 0:
            WelcomeForm(pECB, szBuffer);
            break;

        case 1:
            switch( FormId )
            {
                case WELCOME_FORM:
                case MAIN_MENU_FORM:
                    break;
            }
        }
    }
}
```

```
szBuffer);

szBuffer);

szBuffer);

szBuffer);

szBuffer);

}
break;
case 2:
    // new-order selected from menu; display new-order input
    form
    MakeNewOrderForm(TermId, NULL, INPUT_FORM, szBuffer);
    break;
case 3:
    // payment selected from menu; display payment input form
    MakePaymentForm(TermId, NULL, INPUT_FORM, szBuffer);
    break;
case 4:
    // delivery selected from menu; display delivery input form
    MakeDeliveryForm(TermId, NULL, INPUT_FORM, szBuffer);
    break;
case 5:
    // order-status selected from menu; display order-status
    input form
    MakeOrderStatusForm(TermId, NULL, INPUT_FORM, szBuffer);
    break;
case 6:
    // stock-level selected from menu; display stock-level
    input form
    MakeStockLevelForm(TermId, NULL, INPUT_FORM, szBuffer);
    break;
case 7:
    // ExitCmd
    TermDelete(TermId);
    WelcomeForm(pECB, szBuffer);
    break;
case 8:
    SubmitCmd(pECB, szBuffer);
    break;
case 9:
    // menu
    MakeMainMenuForm(TermId, Term.pClientData[TermId].iSyncId,
        szBuffer);
    break;
case 10:
    // CMD=Clear
    // resets all connections; should only be used when no
    other connections are active
    TermDeleteAll();
}
```

Appendix A - Application Source Code

```
        TermInit();
        WelcomeForm(pECB, szBuffer);
        break;
    case 11: // CMD=Stats
        StatsCmd(pECB, szBuffer);
        break;
    }
}
catch (CBaseErr *e)
{
    ErrorForm( pECB, e->ErrorType(), e->ErrorNum(), TermId, iSyncId, e-
>ErrorText(), szBuffer );
    delete e;
}
catch (...)
{
    ErrorForm( pECB, ERR_TYPE_WEBDLL, 0, TermId, iSyncId, "Error:
Unhandled exception in Web Client.", szBuffer );
}

#ifdef ICECAP
    StopCAP();
#endif

    lpbSize = strlen(szBuffer);
    wsprintf(szHeader1,
        "Content-Type: text/html\r\n"
        "Content-Length: %d\r\n"
        "Connection: Keep-Alive\r\n\r\n", lpbSize);
    strcat( szHeader1, szBuffer );

    (*pECB->ServerSupportFunction)(pECB->ConnID, HSE_REQ_SEND_RESPONSE_HEADER,
szHeader, (LPDWORD) &dwSize, (LPDWORD)szHeader1);

    //finish up and keep connection
    pECB->dwHttpStatusCode = 200;
    return HSE_STATUS_SUCCESS_AND_KEEP_CONN;
}

void WriteMessageToEventLog(LPTSTR lpszMsg)
{
    TCHAR    szMsg[256];
    HANDLE   hEventSource;
    LPTSTR   lpszStrings[2];

    // Use event logging to log the error.
    //
    hEventSource = RegisterEventSource(NULL, TEXT("TPCC.DLL"));

    _stprintf(szMsg, TEXT("Error in TPCC.DLL: "));
    lpszStrings[0] = szMsg;
    lpszStrings[1] = lpszMsg;

    if (hEventSource != NULL)
    {
        ReportEvent(hEventSource, // handle of event source
            EVENTLOG_ERROR_TYPE, // event type
            0, // event category
            0, // event ID
            NULL, // current user's SID
            2, // strings in lpszStrings

```

```

        0, // no bytes of raw data
        (LPCTSTR *)lpszStrings, // array of error strings
        NULL); // no raw data
    (VOID) DeregisterEventSource(hEventSource);
}

/* FUNCTION: DeliveryWorkerThread
 * PURPOSE: This function processes deferred delivery txns. There are typically
several threads running this routine. The number of threads is
determined by an entry read from the registry. The thread waits for work by
waiting on semaphore. When a delivery txn is posted, the semaphore is released.
After processing the delivery txn, information is logged to record the txn
status and execution time.
 */

/*static*/ void DeliveryWorkerThread(void *ptr)
{
    CTPCC_BASE *pTxn = NULL;

    DELIVERY_TRANSACTION delivery;
    PDELIVERY_DATA pDeliveryData;
    TXN_RECORD_TPCC_DELIV_DEF txnDeliRec;

    DWORD index;
    HANDLE handles[2];

    SYSTEMTIME trans_end; //delivery
    transaction finished time
    SYSTEMTIME trans_start; //delivery transaction start
    time

    assert(txnDeliRec != NULL);

    try
    {
        if (Reg.eDB_Protocol == ODBC)
            pTxn = pCTPCC_ODBC_new( Reg.szDbServer, Reg.szDbUser,
Reg.szDbPassword, szMyComputerName, Reg.szDbName );
        else if (Reg.eDB_Protocol == DBLIB)
            pTxn = pCTPCC_DBLIB_new( Reg.szDbServer, Reg.szDbUser,
Reg.szDbPassword, szMyComputerName, Reg.szDbName );
        pDeliveryData = pTxn->BuffAddr_Delivery();
    }
    catch (CBaseErr *e)
    {
        char szTmp[1024];
        wsprintf( szTmp, "Error in Delivery Txn thread. Could not connect to
database. "
            "%s. Server=%s, User=%s, Password=%s,
            Database=%s",
            e->ErrorText(), Reg.szDbServer, Reg.szDbUser,
Reg.szDbPassword, Reg.szDbName );
        WriteMessageToEventLog( szTmp );
        delete e;
    }
}

```

Appendix A - Application Source Code

```

        goto ErrorExit;
    }
    catch (...)
    {
        WriteMessageToEventLog(TEXT("Unhandled exception caught in
DeliveryWorkerThread."));
        goto ErrorExit;
    }

    while (TRUE)
    {
        try
        {
            //while delivery thread running, i.e. user has not
            // need to wait for multiple objects: program
            while (TRUE)
            {
                handles[0] = hDoneEvent;
                handles[1] = hWorkerSemaphore;
                index = WaitForMultipleObjects( 2, &handles[0],
                FALSE, INFINITE );

                if (index == WAIT_OBJECT_0)
                    goto ErrorExit;

                ZeroMemory(&txnDeliRec, sizeof(txnDeliRec));
                txnDeliRec.TxnType = TXN_REC_TYPE_TPCC_DELIV_DEF;

                // make a local copy of current entry from
                // delivery buffer and increment buffer index
                EnterCriticalSection(&DelBuffCriticalSection);
                delivery = *(pDelBuff+dwDelBuffBusyIndex);
                dwDelBuffFreeCount++;
                dwDelBuffBusyIndex++;
                if (dwDelBuffBusyIndex == dwDelBuffSize)
                    // wrap-around if at end of buffer
                    dwDelBuffBusyIndex = 0;

                LeaveCriticalSection(&DelBuffCriticalSection);

                pDeliveryData->w_id = delivery.w_id;
                pDeliveryData->o_carrier_id =
                delivery.o_carrier_id;

                txnDeliRec.w_id = pDeliveryData->w_id;
                txnDeliRec.o_carrier_id = pDeliveryData->
                o_carrier_id;

                txnDeliRec.TxnStartT0 =
                Get64BitTime(&delivery.queue);

                GetLocalTime( &trans_start );
                pTxn->Delivery();
                GetLocalTime( &trans_end );

                //log txn
                txnDeliRec.TxnStatus = ERR_SUCCESS;
                for (int i=0; i<10; i++)
                    txnDeliRec.o_id[i] = pDeliveryData->
                    o_id[i];

                txnDeliRec.DeltaT4 =
                (int)(Get64BitTime(&trans_end) - txnDeliRec.TxnStartT0);
            }
        }
    }
}

```

```

        txnDeliRec.DeltaTxnExec =
(int)(Get64BitTime(&trans_end) - Get64BitTime(&trans_start));

        if (txnDeliLog != NULL)
            txnDeliLog->WriteToLog(&txnDeliRec);
    }
    catch (CBaseErr *e)
    {
        char szTmp[1024];
        wsprintf( szTmp, "Error in Delivery Txn thread. %s", e-
>ErrorText() );
        WriteMessageToEventLog( szTmp );

        // log the error txn
        txnDeliRec.TxnStatus = e->ErrorType();
        if (txnDeliLog != NULL)
            txnDeliLog->WriteToLog(&txnDeliRec);

        delete e;
    }
    catch (...)
    {
        // unhandled exception; shouldn't happen; not much we can
        do...
        WriteMessageToEventLog(TEXT("Unhandled exception caught in
DeliveryWorkerThread."));
    }
}

ErrorExit:
    delete pTxn;
    _endthread();
}

/* FUNCTION: PostDeliveryInfo
 *
 * PURPOSE:          This function enters the delivery txn into the deferred delivery
buffer.
 *
 * RETURNS:          BOOL      FALSE      delivery information posted
                    BOOL      TRUE       error cannot post
 *
 * delivery info
 */
BOOL PostDeliveryInfo(short w_id, short o_carrier_id)
{
    BOOL bError;

    EnterCriticalSection(&DelBuffCriticalSection);
    if (dwDelBuffFreeCount > 0)
    {
        bError = FALSE;
        (pDelBuff+dwDelBuffFreeIndex)->w_id          = w_id;
        (pDelBuff+dwDelBuffFreeIndex)->o_carrier_id  = o_carrier_id;
        GetLocalTime(&(pDelBuff+dwDelBuffFreeIndex)->queue);

        dwDelBuffFreeCount--;
        dwDelBuffFreeIndex++;
        if (dwDelBuffFreeIndex == dwDelBuffSize)
            dwDelBuffFreeIndex = 0;
        // wrap-around if
        at end of buffer
    }
}

```

Appendix A - Application Source Code

```
    }
    else
        // No free buffers. Return an error, which indicates that the
        // delivery buffer is full.
        // Most likely, the number of delivery worker threads needs to be
        // increased to keep up
        // with the txn rate.
        bError = TRUE;
        LeaveCriticalSection(&DelBuffCriticalSection);

        if (!bError)
            // increment worker semaphore to wake up a worker thread
            ReleaseSemaphore( hWorkerSemaphore, 1, NULL );

        return bError;
    }

/* FUNCTION: ProcessQueryString
 *
 * PURPOSE:      This function extracts the relevent information out of the http
 *               command passed in from
 *               the browser.
 *
 * COMMENTS:     If this is the initial connection i.e. client is at welcome screen
 *               then
 *               there will not be a terminal id or current form
 *               id. If this is the case
 *               then the pTermid and pFormid return values are
 *               undefined.
 */

void ProcessQueryString(EXTENSION_CONTROL_BLOCK *pECB, int *pCmd, int *pFormId, int
*pTermId, int *pSyncId)
{
    char *ptr = pECB->lpszQueryString;
    char szBuffer[25];
    int i;

    //allowable client command strings i.e. CMD=command
    static char *szCmds[] =
    {
        "Process", "..NewOrder..", "..Payment..", "..Delivery..", "..Order-
        Status..", "..Stock-Level..",
        "..Exit..", "Submit", "Menu", "Clear", "Stats", ""
    };

    *pCmd = 0; // default is the login screen
    *pTermId = 0;

    // if no params (i.e., empty query string), then return login screen
    if (strlen(pECB->lpszQueryString) == 0)
        return;

    // parse FORMID, TERMID, and SYNCID
    *pFormId = GetIntKeyValue(&ptr, "FORMID", NO_ERR, NO_ERR);
    *pTermId = GetIntKeyValue(&ptr, "TERMID", NO_ERR, NO_ERR);
    *pSyncId = GetIntKeyValue(&ptr, "SYNCID", NO_ERR, NO_ERR);

    // parse CMD
    GetKeyValue(&ptr, "CMD", szBuffer, sizeof(szBuffer), ERR_COMMAND_UNDEFINED);

    // see which command it matches
    for(i=0; ; i++)
```

```
    {
        if (szCmds[i][0] == 0)
            // no more; no match; return error
            throw new CWEBCLNT_ERR( ERR_COMMAND_UNDEFINED );
        if ( !strcmp(szCmds[i], szBuffer) )
            {
                *pCmd = i+1;
                break;
            }
    }

/* FUNCTION: void WelcomeForm
 *
 */

void WelcomeForm(EXTENSION_CONTROL_BLOCK *pECB, char *szBuffer)
{
    char szTmp[1024];

    //welcome to tpc-c html form buffer, this is first form client sees.
    strcpy( szBuffer, "<HTML><HEAD><TITLE>TPC-C Web Client</TITLE></HEAD><BODY>"
        "<B><BIG>Microsoft TPC-C Web
Client (ver 4.20)</BIG></B> <BR> <BR>"
        "<font face=\"Courier
New\"><PRE>"
        "Compiled: \"__DATE__",
        "\"__TIME__\" <BR>"
        "Source: \"__FILE__"
        "\"</PRE></font>"
        "<FORM ACTION=\"tpcc.dll\"
METHOD=\"GET\">"
        "<INPUT TYPE=\"hidden\"
NAME=\"STATUSID\" VALUE=\"0\">"
        "<INPUT TYPE=\"hidden\"
NAME=\"ERROR\" VALUE=\"0\">"
        "<INPUT TYPE=\"hidden\"
NAME=\"FORMID\" VALUE=\"1\">"
        "<INPUT TYPE=\"hidden\"
NAME=\"TERMID\" VALUE=\"0\">"
        "<INPUT TYPE=\"hidden\"
NAME=\"SYNCID\" VALUE=\"0\">"
        "<INPUT TYPE=\"hidden\"
NAME=\"VERSION\" VALUE=\"\" WEBCLIENT_VERSION \"\">"
        );

    sprintf( szTmp, "Configuration Settings: <BR><font face=\"Courier New\"
color=\"blue\"><PRE>"
        "Txn Monitor =
<B>%s</B><BR>"
        "Database protocol =
<B>%s</B><BR>"
        "Max Connections =
<B>%d</B><BR>"
        "# of Delivery Threads =
<B>%d</B><BR>"
        "Max Pending Deliveries =
<B>%d</B><BR>"
        , szTxnMonNames[Reg.eTxnMon], szDBNames[Reg.eDB_Protocol],
        Reg.dwMaxConnections, dwNumDeliveryThreads, dwDelBuffSize
    );

    strcat( szBuffer, szTmp);
```

Appendix A - Application Source Code

```
if (Reg.eTxnMon == COM)
{
    sprintf( szTmp, "COM Single Pool = <B>%s</B><BR>",
            Reg.bCOM_SinglePool ? "YES" : "NO" );
    strcat( szBuffer, szTmp);
}
strcat( szBuffer, "</PRE></font>");

if (Reg.eTxnMon == None)
// connection options may be specified when not using a txn monitor
    sprintf( szTmp, "Please enter your database options for this
connection:<BR>"
color="\blue"><PRE>"
                                "<font face=\\"Courier New\\"
                                "DB Server = <INPUT
                                "DB User ID = <INPUT
NAME=\\"db_server\\" SIZE=20 VALUE=\\"%s\\"><BR>"
                                "DB Password = <INPUT
NAME=\\"db_passwd\\" SIZE=20 VALUE=\\"%s\\"><BR>"
                                "DB Name = <INPUT
NAME=\\"db_name\\" SIZE=20 VALUE=\\"%s\\"><BR>"
                                "</PRE></font>"
                                , Reg.szDbServer, Reg.szDbUser,
Reg.szDbPassword, Reg.szDbName );
    else
// if using a txn monitor, connection options are determined from
registry; can't
// set per user. show options fyi
    sprintf( szTmp, "Database options which will be used by the
transaction monitor:<BR>"
color="\blue"><PRE>"
                                "<font face=\\"Courier New\\"
                                "DB Server =
                                "DB User ID =
                                "DB Password =
                                "DB Name =
                                "</PRE></font>"
                                , Reg.szDbServer, Reg.szDbUser,
Reg.szDbPassword, Reg.szDbName );
    strcat( szBuffer, szTmp);

    sprintf( szTmp, "Please enter your Warehouse and District for this
session:<BR>"
color="\blue"><PRE>" );
    strcat( szBuffer, szTmp);
    strcat( szBuffer, "Warehouse ID = <INPUT NAME=\\"w_id\\" SIZE=4><BR>"
NAME=\\"d_id\\" SIZE=2><BR>"
                                "District ID = <INPUT
                                "</PRE></font><HR>"
                                "<INPUT TYPE=\\"submit\\"
NAME=\\"CMD\\" VALUE=\\"Submit\\">"
                                "</FORM></BODY></HTML>");
}

/* FUNCTION: SubmitCmd
*
```

```
* PURPOSE: This function allocated a new terminal id in the Term structure
array.
*/

void SubmitCmd(EXTENSION_CONTROL_BLOCK *pECB, char *szBuffer)
{
    int iNewTerm;
    char *ptr = pECB->lpszQueryString;

    char szVersion[32] = { 0 };
    char szServer[32] = { 0 };
    char szUser[32] = "sa";
    char szPassword[32] = { 0 };
    char szDatabase[32] = "tpcc";

    // validate version field; the version field ensures that the RTE is
synchronized with the web client
    GetKeyValue(&ptr, "VERSION", szVersion, sizeof(szVersion),
ERR_VERSION_MISMATCH);
    if ( strcmp( szVersion, WEBCLIENT_VERSION ) )
        throw new CWBCLNT_ERR( ERR_VERSION_MISMATCH );

    if (Reg.eTxnMon == None)
    {
        // parse Server name
        GetKeyValue(&ptr, "db_server", szServer, sizeof(szServer),
ERR_NO_SERVER_SPECIFIED);
        // parse User name
        GetKeyValue(&ptr, "db_user", szUser, sizeof(szUser), NO_ERR);
        // parse Password
        GetKeyValue(&ptr, "db_passwd", szPassword, sizeof(szPassword),
NO_ERR);
        // parse Database name
        GetKeyValue(&ptr, "db_name", szDatabase, sizeof(szDatabase), NO_ERR);

        // parse warehouse ID
        int w_id = GetIntKeyValue(&ptr, "w_id", ERR_HTML_ILL_FORMED, ERR_W_ID_INVALID);
        if ( w_id < 1 )
            throw new CWBCLNT_ERR( ERR_W_ID_INVALID );

        // parse district ID
        int d_id = GetIntKeyValue(&ptr, "d_id", ERR_HTML_ILL_FORMED, ERR_D_ID_INVALID);
        if ( d_id < 1 || d_id > 10 )
            throw new CWBCLNT_ERR( ERR_D_ID_INVALID );

        iNewTerm = TermAdd();
        Term.pClientData[iNewTerm].w_id = w_id;
        Term.pClientData[iNewTerm].d_id = d_id;

        try
        {
            if (Reg.eTxnMon == TUXEDO)
                Term.pClientData[iNewTerm].pTxn = pCTPCC_TUXEDO_new();
            else if (Reg.eTxnMon == ENCINA)
                Term.pClientData[iNewTerm].pTxn = pCTPCC_ENCINA_new();
            else if (Reg.eTxnMon == COM)
                Term.pClientData[iNewTerm].pTxn = pCTPCC_COM_new(
Reg.bCOM_SinglePool );
            else if (Reg.eDB_Protocol == ODBC)
```


Appendix A - Application Source Code

```

        Term.pClientData[iNewTerm].pTxn = pCTPCC_ODBC_new(
szServer, szUser, szPassword, szMyComputerName, szDatabase );
        else if (Reg.eDB_Protocol == DBLIB)
            Term.pClientData[iNewTerm].pTxn = pCTPCC_DBLIB_new(
szServer, szUser, szPassword, szMyComputerName, szDatabase );
    }
    catch (...)
    {
        TermDelete(iNewTerm);
        throw; // pass exception upward
    }

    MakeMainMenuForm(iNewTerm, Term.pClientData[iNewTerm].iSyncId, szBuffer);
}

/* FUNCTION: StatsCmd
 *
 * PURPOSE: This function returns to the browser the total number of active
terminal ids.
 *
 * This routine is for development/debugging purposes.
 *
 */

void StatsCmd(EXTENSION_CONTROL_BLOCK *pECB, char *szBuffer)
{
    int i;
    int iTotals;

    EnterCriticalSection(&TermCriticalSection);

    iTotals = 0;
    for(i=0; i<Term.iNumEntries; i++)
    {
        if (Term.pClientData[i].iNextFree == -1)
            iTotals++;
    }

    LeaveCriticalSection(&TermCriticalSection);

    wprintf( szBuffer,
        "<HTML><HEAD><TITLE>TPC-C Web Client Stats</TITLE></HEAD>"
        "<BODY><B><BIG> Total Active Connections: %d"
        , iTotals );
}

char *CWEBCLNT_ERR::ErrorText()
{
    static SERRORMSG errorMsgs[] =
    {
        { ERR_COMMAND_UNDEFINED,
        "Command undefined." },
        { ERR_D_ID_INVALID,
        "Invalid District ID Must be 1 to 10." },
        { ERR_DELIVERY_CARRIER_ID_RANGE,
        "Delivery Carrier ID out of range must be 1 - 10." },
        { ERR_DELIVERY_CARRIER_INVALID,
        "Delivery
Carrier ID invalid must be numeric 1 - 10." }
    }
}

```

```

    { ERR_DELIVERY_MISSING_OCD_KEY,
    "Delivery
missing Carrier ID key \"OCD*\"." },
    { ERR_DELIVERY_THREAD_FAILED,
    "Could not start delivery worker thread." },
    { ERR_GETPROCADDR_FAILED,
    "Could not map proc in DLL. GetProcAddr error. DLL=" },
    { ERR_HTML_ILL_FORMED,
    "Required key field is missing from HTML string." },
    { ERR_INVALID_SYNC_CONNECTION,
    "Invalid
Terminal Sync ID." },
    { ERR_INVALID_TERMINID,
    "Invalid Terminal ID." },
    { ERR_LOADDLL_FAILED,
    "Load of DLL failed. DLL=" },
    { ERR_MAX_CONNECTIONS_EXCEEDED,
    "No
connections available. Max Connections is probably too low." },
    { ERR_MISSING_REGISTRY_ENTRIES,
    "Required
registry entries are missing. Rerun INSTALL to correct." },
    { ERR_NEWORDER_CUSTOMER_INVALID,
    "New Order customer id invalid data type, range = 1 to 3000." },
    { ERR_NEWORDER_CUSTOMER_KEY,
    "New Order missing Customer key \"CID*\"." },
    { ERR_NEWORDER_DISTRICT_INVALID,
    "New Order District ID Invalid range 1 - 10." },
    { ERR_NEWORDER_FORM_MISSING_DID,
    "New Order missing District key \"DID*\"." },
    { ERR_NEWORDER_ITEMID_INVALID,
    "New
Order Item Id is wrong data type, must be numeric." },
    { ERR_NEWORDER_ITEMID_RANGE,
    "New Order Item Id is out of range. Range = 1 to 999999." },
    { ERR_NEWORDER_ITEMID_WITHOUT_SUPPW,
    "New
Order Item_Id field entered without a corresponding Supp_W." },
    { ERR_NEWORDER_MISSING_IID_KEY,
    "New
Order missing Item Id key \"IID*\"." },
    { ERR_NEWORDER_MISSING_QTY_KEY,
    "New
Order Missing Qty key \"Qty##*\"." },
    { ERR_NEWORDER_MISSING_SUPPW_KEY,
    "New Order missing Supp_W key \"SP##*\"." },
    { ERR_NEWORDER_NOITEMS_ENTERED,
    "New
Order No order lines entered." },
    { ERR_NEWORDER_QTY_INVALID,
    "New Order Qty invalid must be numeric range 1 - 99." },
    { ERR_NEWORDER_QTY_RANGE,
    "New Order Qty is out of range. Range = 1 to 99." }
}

```

Appendix A - Application Source Code

```

        {
            ERR_NEWORDER_QTY_WITHOUT_SUPPW,
            "New Order Qty field entered without a corresponding Supp_W."
        },
        {
            ERR_NEWORDER_SUPPW_INVALID,
            "New Order Supp_W invalid data type must be numeric."
        },
        {
            ERR_NO_SERVER_SPECIFIED,
            "No Server name specified."
        },
        {
            ERR_ORDERSTATUS_CID_AND_CLT,
            "Order Status Only Customer ID or Last Name may be entered, not both."
        },
        {
            ERR_ORDERSTATUS_CID_INVALID,
            "Order Status Customer ID invalid, range must be numeric 1 - 3000."
        },
        {
            ERR_ORDERSTATUS_CLT_RANGE,
            "Order Status Customer last name longer than 16 characters."
        },
        {
            ERR_ORDERSTATUS_DID_INVALID,
            "Order Status District invalid, value must be numeric 1 - 10."
        },
        {
            ERR_ORDERSTATUS_MISSING_CID_CLT,
            "Order Status Either Customer ID or Last Name must be entered."
        },
        {
            ERR_ORDERSTATUS_MISSING_CID_KEY,
            "Order Status missing Customer key \"CID*\"."
        },
        {
            ERR_ORDERSTATUS_MISSING_CLT_KEY,
            "Order Status missing Customer Last Name key \"CLT*\"."
        },
        {
            ERR_ORDERSTATUS_MISSING_DID_KEY,
            "Order Status missing District key \"DID*\"."
        },
        {
            ERR_PAYMENT_CDI_INVALID,
            "Payment Customer district invalid must be numeric."
        },
        {
            ERR_PAYMENT_CID_AND_CLT,
            "Payment Only Customer ID or Last Name may be entered, not both."
        },
        {
            ERR_PAYMENT_CUSTOMER_INVALID,
            "Payment Customer data type invalid, must be numeric."
        },
        {
            ERR_PAYMENT_CWI_INVALID,
            "Payment Customer Warehouse invalid, must be numeric."
        },
        {
            ERR_PAYMENT_DISTRICT_INVALID,
            "Payment District ID is invalid, must be 1 - 10."
        },
        {
            ERR_PAYMENT_HAM_INVALID,
            "Payment Amount invalid data type must be numeric."
        },
        {
            ERR_PAYMENT_HAM_RANGE,
            "Payment Amount out of range, 0 - 9999.99."
        },
        {
            ERR_PAYMENT_LAST_NAME_TO_LONG,
            "Payment Customer last name longer than 16 characters."
        },
        {
            ERR_PAYMENT_MISSING_CDI_KEY,
            "Payment missing Customer district key \"CDI*\"."
        },
        {
            ERR_PAYMENT_MISSING_CID_CLT,
            "Payment Either Customer ID or Last Name must be entered."
        },
        {
            ERR_PAYMENT_MISSING_CID_KEY,
            "Payment missing Customer Key \"CID*\"."
        },
        {
            ERR_PAYMENT_MISSING_CLT_KEY,
            "Payment missing Customer Last Name key \"CLT*\"."
        },
        {
            ERR_PAYMENT_MISSING_CWI_KEY,
            "Payment missing Customer Warehouse key \"CWI*\"."
        },
        {
            ERR_PAYMENT_MISSING_DID_KEY,
            "Payment missing District Key \"DID*\"."
        },
        {
            ERR_PAYMENT_MISSING_HAM_KEY,
            "Payment missing Amount key \"HAM*\"."
        },
        {
            ERR_STOCKLEVEL_MISSING_THRESHOLD_KEY,
            "Stock Level; missing Threshold key \"TT*\"."
        },
        {
            ERR_STOCKLEVEL_THRESHOLD_INVALID,
            "Stock Level; Threshold value must be in the range = 1 - 99."
        },
        {
            ERR_STOCKLEVEL_THRESHOLD_RANGE,
            "Stock Level Threshold out of range, range must be 1 - 99."
        },
        {
            ERR_VERSION_MISMATCH,
            "Invalid version field. RTE and Web Client are probably out of sync."
        },
        {
            ERR_W_ID_INVALID,
            "Invalid Warehouse ID."
        },
        {
            0,
            ""
        }
    };

    char szTmp[256];
    int i = 0;
    while (TRUE)
    {
        if (errorMsgs[i].szMsg[0] == 0)
        {
            strcpy( szTmp, "Unknown error number." );
            break;
        }
        if (m_Error == errorMsgs[i].iError)
        {
            strcpy( szTmp, errorMsgs[i].szMsg );
            break;
        }
        i++;
    }

    if (m_szTextDetail)
        strcat( szTmp, m_szTextDetail );
    if (m_SystemErr)
        sprintf( szTmp+strlen(szTmp), " Error=%d", m_SystemErr );

    m_szErrorText = new char[strlen(szTmp)+1];
    strcpy( m_szErrorText, szTmp );
    return m_szErrorText;
}

/* FUNCTION: GetKeyValue
 * PURPOSE: This function parses a http formatted string for specific key values.
 * ARGUMENTS: char *pQueryString http string from client browser

```

Appendix A - Application Source Code

```
*
*   key value to look for      char      *pKey
*   character array into which to place key's value
*   maximum length of key value array.      int      iMax
*   error value to throw      WEBERROR      err
* RETURNS:      nothing.
* ERROR:      if (the pKey value is not found) then
*             if (err == 0)
*             return (empty string)
*             else
*             throw CWEBCLNT_ERR(err)
* COMMENTS:      http keys are formatted either KEY=value& or KEY=value\0. This DLL
formats
*               TPC-C input fields in such a manner that the keys
can be extracted in the
*               above manner.
*/

void GetKeyValue(char **pQueryString, char *pKey, char *pValue, int iMax, WEBERROR err)
{
    char *ptr;

    if ( !(ptr=strstr(*pQueryString, pKey)) )
        goto ErrorExit;
    ptr += strlen(pKey);
    if ( *ptr != '=' )
        goto ErrorExit;
    ptr++;

    iMax--; // one position is for terminating null
    while( *ptr && *ptr != '&' && iMax )
    {
        *pValue++ = *ptr++;
        iMax--;
    }
    *pValue = 0; // terminating null

    *pQueryString = ptr;
    return;

ErrorExit:
    if (err != NO_ERR)
        throw new CWEBCLNT_ERR( err );
    *pValue = 0; // return empty result string
}

/* FUNCTION: GetIntKeyValue
*
* PURPOSE:      This function parses a http formatted string for a specific key
value.
*
* ARGUMENTS:      char      *pQueryString      http string from
client browser
*
*               char      *pKey
*
*               key value to look for
*
*               WEBERROR      NoKeyErr      error
value to throw if key not found
```

```
*
*   value to throw if value not numeric      WEBERROR      NotIntErr      error
* RETURNS:      integer
* ERROR:      if (the pKey value is not found) then
*             if (NoKeyErr != NO_ERR)
*             throw CWEBCLNT_ERR(err)
*             else
*             return 0
*             else if (non-numeric char found) then
*             if (NotIntErr != NO_ERR) then
*             throw CWEBCLNT_ERR(err)
*             else
*             return 0
* COMMENTS:      http keys are formatted either KEY=value& or KEY=value\0. This DLL
formats
*               TPC-C input fields in such a manner that the keys
can be extracted in the
*               above manner.
*/

int GetIntKeyValue(char **pQueryString, char *pKey, WEBERROR NoKeyErr, WEBERROR
NotIntErr)
{
    char *ptr0;
    char *ptr;

    if ( !(ptr=strstr(*pQueryString, pKey)) )
        goto ErrorNoKey;
    ptr += strlen(pKey);
    if ( *ptr != '=' )
        goto ErrorNoKey;
    ptr++;

    ptr0 = ptr; // remember starting point
    // scan string until a terminator (null or &) or a non-digit
    while( *ptr && *ptr != '&' && isdigit(*ptr) )
        ptr++;

    // make sure we stopped scanning for the right reason
    if ((ptr0 == ptr) || (*ptr && *ptr != '&'))
    {
        if (NotIntErr != NO_ERR)
            throw new CWEBCLNT_ERR( NoKeyErr );
        return 0;
    }

    *pQueryString = ptr;
    return atoi(ptr0);

ErrorNoKey:
    if (NoKeyErr != NO_ERR)
        throw new CWEBCLNT_ERR( NoKeyErr );
    return 0;
}

/* FUNCTION: TermInit
*
* PURPOSE:      This function initializes the client terminal structure; it is called
when the TPCC.DLL
*
*               is first loaded by the inet service.
```

Appendix A - Application Source Code

```
*
*/
void TermInit(void)
{
    EnterCriticalSection(&TermCriticalSection);

    Term.iMasterSyncId = 1;
    Term.iNumEntries = Reg.dwMaxConnections+1;

    Term.pClientData = NULL;
    Term.pClientData = (PCLIENTDATA)malloc(Term.iNumEntries *
sizeof(CLIENTDATA));
    if (Term.pClientData == NULL)
    {
        LeaveCriticalSection(&TermCriticalSection);
        throw new CWEBCLNT_ERR( ERR_MEM_ALLOC_FAILED );
    }

    ZeroMemory( Term.pClientData, Term.iNumEntries * sizeof(CLIENTDATA) );

    Term.iFreeList = Term.iNumEntries-1;
    // build free list
    // note: Term.pClientData[0].iNextFree gets set to -1, which marks it as "in
use".
    // This is intentional, as the zero entry is used as an anchor and never
    // allocated as an actual terminal.
    for(int i=0; i<Term.iNumEntries; i++)
        Term.pClientData[i].iNextFree = i-1;

    LeaveCriticalSection(&TermCriticalSection);
}

/* FUNCTION: TermDeleteAll
*
* PURPOSE: This function frees allocated resources associated with the terminal
structure.
*
* ARGUMENTS: none
*
* RETURNS: None
*
* COMMENTS: This function is called only when the inet service unloads the
TPCC.DLL
*/
void TermDeleteAll(void)
{
    EnterCriticalSection(&TermCriticalSection);

    for(int i=1; i<Term.iNumEntries; i++)
    {
        if (Term.pClientData[i].iNextFree == -1)
            delete Term.pClientData[i].pTxn;
    }

    Term.iFreeList = 0;
    Term.iNumEntries = 0;
    if ( Term.pClientData )
        free(Term.pClientData);
    Term.pClientData = NULL;
}
```

```
        LeaveCriticalSection(&TermCriticalSection);
    }

/* FUNCTION: TermAdd
*
* PURPOSE: This function assigns a terminal id which is used to identify a
client browser.
*
* RETURNS: int assigned terminal id
*/
int TermAdd(void)
{
    DWORD i;
    int iNewTerm, iTickCount;

    if (Term.iNumEntries == 0)
        return -1;

    EnterCriticalSection(&TermCriticalSection);
    if (Term.iFreeList != 0)
    {
        // position is available
        iNewTerm = Term.iFreeList;
        Term.iFreeList = Term.pClientData[iNewTerm].iNextFree;
        Term.pClientData[iNewTerm].iNextFree = -1; // indicates this
position is in use
    }
    else
    {
        // no open slots, so find the slot that hasn't been used in the
longest time and reuse it
        for(iNewTerm=1, i=1, iTickCount=0x7FFFFFFF; i<Reg.dwMaxConnections;
i++)
        {
            if (iTickCount > Term.pClientData[i].iTickCount)
            {
                iTickCount = Term.pClientData[i].iTickCount;
                iNewTerm = i;
            }
        }
        // if oldest term is less than one minute old, it probably means that
more connections
// are being attempted than were specified as "Max Connections" at
install. In this case,
// do not bump existing connection; instead, return error to
requestor.
        if ((GetTickCount() - iTickCount) < 60000)
        {
            LeaveCriticalSection(&TermCriticalSection);
            throw new CWEBCLNT_ERR( ERR_MAX_CONNECTIONS_EXCEEDED );
        }
    }

    Term.pClientData[iNewTerm].iTickCount = GetTickCount();
    Term.pClientData[iNewTerm].iSyncId = Term.iMasterSyncId++;
    Term.pClientData[iNewTerm].pTxn = NULL;

    LeaveCriticalSection(&TermCriticalSection);
    return iNewTerm;
}

/* FUNCTION: TermDelete
*
*/
```

Appendix A - Application Source Code

```
* PURPOSE:          This function makes a terminal entry in the Term array available for
reuse.
*
* ARGUMENTS:      int          id
                  Terminal id of client exiting
*
*/

void TermDelete(int id)
{
    if ( id > 0 && id < Term.iNumEntries )
    {
        delete Term.pClientData[id].pTxn;

        // put onto free list
        EnterCriticalSection(&TermCriticalSection);

        Term.pClientData[id].iNextFree = Term.iFreeList;
        Term.iFreeList = id;

        LeaveCriticalSection(&TermCriticalSection);
    }
}

/* FUNCTION: MakeErrorForm
*/

void ErrorForm(EXTENSION_CONTROL_BLOCK *pECB, int iType, int iErrorNum, int iTermId, int
iSyncId, char *szErrorText, char *szBuffer )
{
    wsprintf(szBuffer,
"<HTML><HEAD><TITLE>TPC-C Error</TITLE></HEAD><BODY>"
"<FORM ACTION=\"tpcc.dll\" METHOD=\"GET\">"
"<INPUT TYPE=\"hidden\" NAME=\"STATUSID\" VALUE=\"%d\">"
"<INPUT TYPE=\"hidden\" NAME=\"ERROR\" VALUE=\"%d\">"
"<INPUT TYPE=\"hidden\" NAME=\"FORMID\" VALUE=\"%d\">"
"<INPUT TYPE=\"hidden\" NAME=\"TERMINID\" VALUE=\"%d\">"
"<INPUT TYPE=\"hidden\" NAME=\"SYNCID\" VALUE=\"%d\">"
"<BOLD>An Error Occurred</BOLD><BR><BR>"
"%s"
"<BR><BR><HR>"
"<INPUT TYPE=\"submit\" NAME=\"CMD\" VALUE=\"..NewOrder..\">"
"<INPUT TYPE=\"submit\" NAME=\"CMD\" VALUE=\"..Payment..\">"
"<INPUT TYPE=\"submit\" NAME=\"CMD\" VALUE=\"..Delivery..\">"
"<INPUT TYPE=\"submit\" NAME=\"CMD\" VALUE=\"..Order-Status..\">"
"<INPUT TYPE=\"submit\" NAME=\"CMD\" VALUE=\"..Stock-Level..\">"
"<INPUT TYPE=\"submit\" NAME=\"CMD\" VALUE=\"..Exit..\">"
"</FORM></BODY></HTML>"
, iType, iErrorNum, MAIN_MENU_FORM, iTermId, iSyncId, szErrorText );
}

/* FUNCTION: MakeMainMenuForm
*/

void MakeMainMenuForm(int iTermId, int iSyncId, char *szForm)
{
    wsprintf(szForm,
"<HTML><HEAD><TITLE>TPC-C Main Menu</TITLE></HEAD><BODY>"
"Select Desired Transaction.<BR><HR>"
"<FORM ACTION=\"tpcc.dll\" METHOD=\"GET\">"
"<INPUT TYPE=\"hidden\" NAME=\"STATUSID\" VALUE=\"%0\">"
"<INPUT TYPE=\"hidden\" NAME=\"ERROR\" VALUE=\"%0\">"

```

```
"<INPUT TYPE=\"hidden\" NAME=\"FORMID\" VALUE=\"%d\">"
"<INPUT TYPE=\"hidden\" NAME=\"TERMINID\" VALUE=\"%d\">"
"<INPUT TYPE=\"hidden\" NAME=\"SYNCID\" VALUE=\"%d\">"
"<INPUT TYPE=\"submit\" NAME=\"CMD\" VALUE=\"..NewOrder..\">"
"<INPUT TYPE=\"submit\" NAME=\"CMD\" VALUE=\"..Payment..\">"
"<INPUT TYPE=\"submit\" NAME=\"CMD\" VALUE=\"..Delivery..\">"
"<INPUT TYPE=\"submit\" NAME=\"CMD\" VALUE=\"..Order-Status..\">"
"<INPUT TYPE=\"submit\" NAME=\"CMD\" VALUE=\"..Stock-Level..\">"
"<INPUT TYPE=\"submit\" NAME=\"CMD\" VALUE=\"..Exit..\">"
"</FORM></BODY></HTML>"
, MAIN_MENU_FORM, iTermId, iSyncId);
}

/* FUNCTION: MakeStockLevelForm
*
* PURPOSE:          This function constructs the Stock Level HTML page.
*
* COMMENTS:        The internal client buffer is created when the terminal id is
assigned and should not
                    be freed except when the client terminal id is no
longer needed.
*/

void MakeStockLevelForm(int iTermId, STOCK_LEVEL_DATA *pStockLevelData, BOOL bInput, char
*szForm)
{
    int    c;

    c = wsprintf(szForm,
"<HTML><HEAD><TITLE>TPC-C Stock Level</TITLE></HEAD><FORM
ACTION=\"tpcc.dll\" METHOD=\"GET\">"
"<INPUT TYPE=\"hidden\" NAME=\"STATUSID\" VALUE=\"%0\">"
"<INPUT TYPE=\"hidden\" NAME=\"ERROR\" VALUE=\"%0\">"
"<INPUT TYPE=\"hidden\" NAME=\"FORMID\" VALUE=\"%d\">"
"<INPUT TYPE=\"hidden\" NAME=\"TERMINID\" VALUE=\"%d\">"
"<INPUT TYPE=\"hidden\" NAME=\"SYNCID\" VALUE=\"%d\">"
"<PRE><font face=\"Courier\">
Level<BR>"
"Warehouse: %4.4d District: %2.2d<BR><BR>",
STOCK_LEVEL_FORM, iTermId, Term.pClientData[iTermId].iSyncId,
Term.pClientData[iTermId].w_id, Term.pClientData[iTermId].d_id);

    if ( bInput )
    {
        strcpy(szForm+c,
"Stock Level Threshold: <INPUT NAME=\"TT*\" SIZE=2><BR>"
"low stock:    </font><BR> <BR> <BR> <BR> <BR> <BR> <BR>"
" <BR> <BR> <BR> <BR> <BR> <BR> <BR></PRE><HR>"
"<INPUT TYPE=\"submit\" NAME=\"CMD\" VALUE=\"Process\">"
"<INPUT TYPE=\"submit\" NAME=\"CMD\" VALUE=\"Menu\">"
"</FORM></HTML>" );
    }
    else
    {
        wsprintf(szForm+c,
"Stock Level Threshold: %2.2d<BR> <BR>"
"low stock: %3.3d</font> <BR> <BR> <BR> <BR> <BR> <BR> <BR>"
" <BR> <BR> <BR> <BR> <BR> <BR> <BR></PRE><HR>"
"<INPUT TYPE=\"submit\" NAME=\"CMD\">"
VALUE=\"..NewOrder..\">"

```


Appendix A - Application Source Code

```

        {
            c += sprintf(szForm+c,
                "%#Disc: %5.2f
<BR>"
                "Order Number: %8.8d Number
of Lines: %2.2d      W_tax: %5.2f  D_tax: %5.2f <BR> <BR>"
                " Supp_W Item_Id Item Name
Qty Stock B/G Price  Amount<BR>",
                100.0*pNewOrderData->c_discount,
                pNewOrderData->o_id,
                pNewOrderData->o_ol_cnt,
                100.0 * pNewOrderData->w_tax,
                100.0 * pNewOrderData->d_tax);

            for(i=0; i<pNewOrderData->o_ol_cnt; i++)
            {
                c += sprintf(szForm+c, " %4.4d %6.6d %-24s
%2.2d %3.3d %1.1s  $%6.2f  $%7.2f <BR>",
                pNewOrderData->OL[i].ol_supply_w_id,
                pNewOrderData->OL[i].ol_i_id,
                pNewOrderData->OL[i].ol_i_name,
                pNewOrderData->OL[i].ol_quantity,
                pNewOrderData->OL[i].ol_stock,
                pNewOrderData->OL[i].ol_brand_generic,
                pNewOrderData->OL[i].ol_i_price,
                pNewOrderData->OL[i].ol_amount );
            }
        }
        else
        {
            c += wsprintf(szForm+c,
                "%Disc:<BR>"
                "Order Number: %8.8d Number of Lines:
                " Supp_W Item_Id Item Name Qty
                , pNewOrderData->o_id);

            i = 0;

            strncpy( szForm+c, szBR, (15-i)*5 );
            c += (15-i)*5;

            if ( bValid )
                c += sprintf(szForm+c, "Execution Status: Transaction
                Total:  $%8.2f ",
                pNewOrderData->total_amount);
            else
                c += wsprintf(szForm+c, "Execution Status: Item number is
                Total:");

            strcpy(szForm+c,
                " <BR></font></PRE><HR>"
                "<INPUT TYPE=\"submit\" NAME=\"CMD\"
                VALUE=\"..NewOrder..\">"
                "<INPUT TYPE=\"submit\" NAME=\"CMD\"
                VALUE=\"..Payment..\">"
                "<INPUT TYPE=\"submit\" NAME=\"CMD\"
                VALUE=\"..Delivery..\">"
                "Status..\">"

```

```

                Level..\">"
                "<INPUT TYPE=\"submit\" NAME=\"CMD\" VALUE=\"..Stock-
                </FORM></HTML>"
                );
            }
        }
    /* FUNCTION: MakePaymentForm
    *
    * COMMENTS:      The internal client buffer is created when the terminal id is
    assigned and should not
    *
    *                  be freed except when the client terminal id is no
    longer needed.
    */

void MakePaymentForm(int iTermId, PAYMENT_DATA *pPaymentData, BOOL bInput, char *szForm)
{
    int c;

    c = wsprintf(szForm,
        "<HTML><HEAD><TITLE>TPC-C Payment</TITLE></HEAD><BODY>"
        "<FORM ACTION=\"tpcc.dll\" METHOD=\"GET\">"
        "<INPUT TYPE=\"hidden\" NAME=\"STATUSID\" VALUE=\"0\">"
        "<INPUT TYPE=\"hidden\" NAME=\"ERROR\" VALUE=\"0\">"
        "<INPUT TYPE=\"hidden\" NAME=\"FORMID\" VALUE=\"%d\">"
        "<INPUT TYPE=\"hidden\" NAME=\"TERMIN\" VALUE=\"%d\">"
        "<INPUT TYPE=\"hidden\" NAME=\"SYNCID\" VALUE=\"%d\">"
        "<PRE><font face=\"Courier\">"

        Payment<BR>"
        "Date: "
        , PAYMENT_FORM, iTermId, Term.pClientData[iTermId].iSyncId);

    if ( !bInput )
    {
        c += wsprintf(szForm+c, "%2.2d-%2.2d-%4.4d %2.2d:%2.2d:%2.2d",
            pPaymentData->h_date.day,
            pPaymentData->h_date.month,
            pPaymentData->h_date.year,
            pPaymentData->h_date.hour,
            pPaymentData->h_date.minute,
            pPaymentData->h_date.second);
    }

    if ( bInput )
    {
        c += wsprintf(szForm+c,
            "<BR> <BR>Warehouse: %4.4d"
            " District: <INPUT NAME=\"DID\"
            SIZE=1><BR> <BR> <BR> <BR> <BR>"
            "Customer: <INPUT NAME=\"CID\" SIZE=4>"
            "Cust-Warehouse: <INPUT NAME=\"CWI\" SIZE=4> "
            "Cust-District: <INPUT NAME=\"CDI\" SIZE=1><BR>"
            "Name: <INPUT NAME=\"CLT\" SIZE=16>"

            Since:<BR>"
            "
            Credit:<BR>"
            "
            Disc:<BR>"
            "
            Phone:<BR> <BR>"
            "Amount Paid: $<INPUT NAME=\"HAM\" SIZE=7>"

            New Cust-Balance:<BR>"

```


Appendix A - Application Source Code

```
(pDeliveryData->exec_status_code == eOK) ? "Delivery has
been queued." : "Delivery Post Failed "
);
}
}
/* FUNCTION: ProcessNewOrderForm
 *
 * PURPOSE: This function gets and validates the input data from the new order
 form
 *
 * filling in the required input variables. it then calls the
 SQLNewOrder
 *
 * transaction, constructs the output form and writes it back
 to client
 *
 * browser.
 */
void ProcessNewOrderForm(EXTENSION_CONTROL_BLOCK *pECB, int iTermId, char *szBuffer)
{
    PNEW_ORDER_DATA pNewOrder;

    pNewOrder = Term.pClientData[iTermId].pTxn->BuffAddr_NewOrder();

    ZeroMemory(pNewOrder, sizeof(NEW_ORDER_DATA));
    pNewOrder->w_id = Term.pClientData[iTermId].w_id;
    GetNewOrderData(pECB->lpszQueryString, pNewOrder);

    Term.pClientData[iTermId].pTxn->NewOrder();

    pNewOrder = Term.pClientData[iTermId].pTxn->BuffAddr_NewOrder();
    MakeNewOrderForm(iTermId, pNewOrder, OUTPUT_FORM, szBuffer );
}
/* FUNCTION: void ProcessPaymentForm
 *
 * PURPOSE: This function gets and validates the input data from the payment form
 *
 * filling in the required input variables. It then calls the
 SQLPayment
 *
 * transaction, constructs the output form and writes it back
 to client
 *
 * browser.
 *
 * ARGUMENTS: EXTENSION_CONTROL_BLOCK *pECB passed in structure pointer
 from inetsrv.
 *
 * int
 * iTermId client browser terminal id
 */
void ProcessPaymentForm(EXTENSION_CONTROL_BLOCK *pECB, int iTermId, char *szBuffer)
{
    PPAYMENT_DATA pPayment;

    pPayment = Term.pClientData[iTermId].pTxn->BuffAddr_Payment();
    ZeroMemory(pPayment, sizeof(PAYMENT_DATA));
    pPayment->w_id = Term.pClientData[iTermId].w_id;
    GetPaymentData(pECB->lpszQueryString, pPayment);

    Term.pClientData[iTermId].pTxn->Payment();

    pPayment = Term.pClientData[iTermId].pTxn->BuffAddr_Payment();
    MakePaymentForm(iTermId, pPayment, OUTPUT_FORM, szBuffer);
}
```

```
/* FUNCTION: ProcessOrderStatusForm
 *
 * PURPOSE: This function gets and validates the input data from the Order Status
 form filling in the required input variables. It then calls
 the
 *
 * SQLOrderStatus transaction, constructs the output form and
 writes it
 *
 * back to client browser.
 *
 * ARGUMENTS: EXTENSION_CONTROL_BLOCK *pECB passed in structure pointer
 from inetsrv.
 *
 * int
 * iTermId client browser terminal id
 */
void ProcessOrderStatusForm(EXTENSION_CONTROL_BLOCK *pECB, int iTermId, char *szBuffer)
{
    PORDER_STATUS_DATA pOrderStatus;

    pOrderStatus = Term.pClientData[iTermId].pTxn->BuffAddr_OrderStatus();
    ZeroMemory(pOrderStatus, sizeof(ORDER_STATUS_DATA));
    pOrderStatus->w_id = Term.pClientData[iTermId].w_id;
    GetOrderStatusData(pECB->lpszQueryString, pOrderStatus);

    Term.pClientData[iTermId].pTxn->OrderStatus();

    pOrderStatus = Term.pClientData[iTermId].pTxn->BuffAddr_OrderStatus();
    MakeOrderStatusForm(iTermId, pOrderStatus, OUTPUT_FORM, szBuffer);
}
/* FUNCTION: ProcessDeliveryForm
 *
 * PURPOSE: This function gets and validates the input data from the delivery
 form
 *
 * filling in the required input variables. It then calls the
 PostDeliveryInfo
 *
 * Api, The client is then informed that the transaction has
 been posted.
 *
 * ARGUMENTS: EXTENSION_CONTROL_BLOCK *pECB passed in structure pointer
 from inetsrv.
 *
 * int
 * iTermId client browser terminal id
 */
void ProcessDeliveryForm(EXTENSION_CONTROL_BLOCK *pECB, int iTermId, char *szBuffer)
{
    char *ptr = pECB->lpszQueryString;

    PDELIVERY_DATA pDelivery;

    pDelivery = Term.pClientData[iTermId].pTxn->BuffAddr_Delivery();
    ZeroMemory(pDelivery, sizeof(DELIVERY_DATA));
    pDelivery->w_id = Term.pClientData[iTermId].w_id;

    pDelivery->o_carrier_id = GetIntKeyValue(&ptr, "OCD*",
ERR_DELIVERY_MISSING_OCD_KEY, ERR_DELIVERY_CARRIER_INVALID);
    if ( pDelivery->o_carrier_id > 10 || pDelivery->o_carrier_id < 1 )
        throw new CWBCLNT_ERR( ERR_DELIVERY_CARRIER_ID_RANGE );
}
```

Appendix A - Application Source Code

```
if (dwNumDeliveryThreads)
{
    //post delivery info
    if ( PostDeliveryInfo(pDelivery->w_id, pDelivery->o_carrier_id) )
        pDelivery->exec_status_code = eDeliveryFailed;
    else
        pDelivery->exec_status_code = eOK;
}
else // delivery is done synchronously if no delivery threads configured
    Term.pClientData[iTermId].pTxn->Delivery();

pDelivery = Term.pClientData[iTermId].pTxn->BuffAddr_Delivery();
MakeDeliveryForm(iTermId, pDelivery, OUTPUT_FORM, szBuffer);
}

/* FUNCTION: ProcessStockLevelForm
 *
 * PURPOSE:      This function gets and validates the input data from the Stock Level
 *               form filling in the required input variables. It then calls
 *               the SQLStockLevel transaction, constructs the output form and
 *               writes it back to client browser.
 *
 * ARGUMENTS:    EXTENSION_CONTROL_BLOCK *pECB    passed in structure pointer
 *               from inetsrv.
 *               int iTermId    client browser terminal id
 */

void ProcessStockLevelForm(EXTENSION_CONTROL_BLOCK *pECB, int iTermId, char *szBuffer)
{
    char *ptr = pECB->lpszQueryString;

    PSTOCK_LEVEL_DATA pStockLevel;

    pStockLevel = Term.pClientData[iTermId].pTxn->BuffAddr_StockLevel();
    ZeroMemory( pStockLevel, sizeof(STOCK_LEVEL_DATA) );

    pStockLevel->w_id = Term.pClientData[iTermId].w_id;
    pStockLevel->d_id = Term.pClientData[iTermId].d_id;

    pStockLevel->threshold = GetIntKeyValue(&ptr, "TT",
ERR_STOCKLEVEL_MISSING_THRESHOLD_KEY, ERR_STOCKLEVEL_THRESHOLD_INVALID);
    if ( pStockLevel->threshold >= 100 || pStockLevel->threshold < 0 )
        throw new CWBCLNT_ERR( ERR_STOCKLEVEL_THRESHOLD_RANGE );

    Term.pClientData[iTermId].pTxn->StockLevel();

    pStockLevel = Term.pClientData[iTermId].pTxn->BuffAddr_StockLevel();
    MakeStockLevelForm(iTermId, pStockLevel, OUTPUT_FORM, szBuffer);
}

/* FUNCTION: GetNewOrderData
 *
 * PURPOSE:      This function extracts and validates the new order form data from an
 *               http command string.
 *
 * ARGUMENTS:    LPSTR lpszQueryString    client
 *               browser http command string
 *               NEW_ORDER_DATA *pNewOrderData
 *               pointer to new order data structure

```

```
 *
 */

void GetNewOrderData(LPSTR lpszQueryString, NEW_ORDER_DATA *pNewOrderData)
{
    char szTmp[26];
    int i;
    short items;
    int ol_i_id, ol_quantity;
    char *ptr = lpszQueryString;

    static char szSP[MAX_OL_NEW_ORDER_ITEMS][6] =
    { "SP00*", "SP01*", "SP02*", "SP03*", "SP04*",
      "SP05*", "SP06*", "SP07*", "SP08*", "SP09*",
      "SP10*", "SP11*", "SP12*", "SP13*", "SP14*" };
    static char szIID[MAX_OL_NEW_ORDER_ITEMS][7] =
    { "IID00*", "IID01*", "IID02*", "IID03*", "IID04*",
      "IID05*", "IID06*", "IID07*", "IID08*", "IID09*",
      "IID10*", "IID11*", "IID12*", "IID13*", "IID14*" };
    static char szQty[MAX_OL_NEW_ORDER_ITEMS][7] =
    { "Qty00*", "Qty01*", "Qty02*", "Qty03*", "Qty04*",
      "Qty05*", "Qty06*", "Qty07*", "Qty08*", "Qty09*",
      "Qty10*", "Qty11*", "Qty12*", "Qty13*", "Qty14*" };

    pNewOrderData->d_id = GetIntKeyValue(&ptr, "DID*",
ERR_NEWORDER_FORM_MISSING_DID, ERR_NEWORDER_DISTRICT_INVALID);
    pNewOrderData->c_id = GetIntKeyValue(&ptr, "CID*", ERR_NEWORDER_CUSTOMER_KEY,
ERR_NEWORDER_CUSTOMER_INVALID);

    for(i=0, items=0; i<MAX_OL_NEW_ORDER_ITEMS; i++)
    {
        GetKeyValue(&ptr, szSP[i], szTmp, sizeof(szTmp),
ERR_NEWORDER_MISSING_SUPPW_KEY);
        if ( szTmp[0] )
        {
            if ( !IsNumeric(szTmp) )
                throw new CWBCLNT_ERR(
ERR_NEWORDER_SUPPW_INVALID );
            pNewOrderData->OL[items].ol_supply_w_id =
(short)atoi(szTmp);

            ol_i_id = pNewOrderData->OL[items].ol_i_id =
                GetIntKeyValue(&ptr, szIID[i],
ERR_NEWORDER_MISSING_IID_KEY, ERR_NEWORDER_ITEMID_INVALID);
            if ( ol_i_id > 999999 || ol_i_id < 1 )
                throw new CWBCLNT_ERR( ERR_NEWORDER_ITEMID_RANGE );

            ol_quantity = pNewOrderData->OL[items].ol_quantity =
                GetIntKeyValue(&ptr, szQty[i],
ERR_NEWORDER_MISSING_QTY_KEY, ERR_NEWORDER_QTY_INVALID);
            if ( ol_quantity > 99 || ol_quantity < 1 )
                throw new CWBCLNT_ERR( ERR_NEWORDER_QTY_RANGE );

            items++;
        }
        else
        {
            // nothing entered for supply warehouse, so item id and qty
            must also be blank
            GetKeyValue(&ptr, szIID[i], szTmp, sizeof(szTmp),
ERR_NEWORDER_MISSING_IID_KEY);
            if ( szTmp[0] )

```

Appendix A - Application Source Code

```
throw new CWBCLNT_ERR(
ERR_NEWORDER_ITEMID_WITHOUT_SUPPW );

    GetKeyValue(&ptr, szQty[i], szTmp, sizeof(szTmp),
ERR_NEWORDER_MISSING_QTY_KEY);
    if ( szTmp[0] )
        throw new CWBCLNT_ERR(
ERR_NEWORDER_QTY_WITHOUT_SUPPW );
    }
    if ( items == 0 )
        throw new CWBCLNT_ERR( ERR_NEWORDER_NOITEMS_ENTERED );

    pNewOrderData->o_ol_cnt = items;
}

/* FUNCTION: GetPaymentData
 *
 * PURPOSE:      This function extracts and validates the payment form data from an
http command string.
 *
 * ARGUMENTS:    LPSTR          lpszQueryString          client
browser http command string
 *
 *               PAYMENT_DATA  *pPaymentData
 *               pointer to payment data structure
 */

void GetPaymentData(LPSTR lpszQueryString, PAYMENT_DATA *pPaymentData)
{
    char    szTmp[26];
    char    *ptr = lpszQueryString;
    BOOL    bCustIdBlank;

    pPaymentData->d_id = GetIntKeyValue(&ptr, "DID*", ERR_PAYMENT_MISSING_DID_KEY,
ERR_PAYMENT_DISTRICT_INVALID);

    GetKeyValue(&ptr, "CID*", szTmp, sizeof(szTmp), ERR_PAYMENT_MISSING_CID_KEY);
    if ( szTmp[0] == 0 )
    {
        bCustIdBlank = TRUE;
        pPaymentData->c_id = 0;
    }
    else
    {
        // parse customer id and verify that last name was NOT entered
        bCustIdBlank = FALSE;
        if ( !IsNumeric(szTmp) )
            throw new CWBCLNT_ERR( ERR_PAYMENT_CUSTOMER_INVALID );
        pPaymentData->c_id = atoi(szTmp);
    }

    pPaymentData->c_w_id = GetIntKeyValue(&ptr, "CWI*",
ERR_PAYMENT_MISSING_CWI_KEY, ERR_PAYMENT_CWI_INVALID);
    pPaymentData->c_d_id = GetIntKeyValue(&ptr, "CDI*",
ERR_PAYMENT_MISSING_CDI_KEY, ERR_PAYMENT_CDI_INVALID);

    if ( bCustIdBlank )
    {
        // customer id is blank, so last name must be entered
        GetKeyValue(&ptr, "CLT*", szTmp, sizeof(szTmp),
ERR_PAYMENT_MISSING_CLT_KEY);
        if ( szTmp[0] == 0 )
            throw new CWBCLNT_ERR( ERR_PAYMENT_MISSING_CID_CLT );

        _strupr( szTmp );
    }
}
```

```
if ( strlen(pPaymentData->c_last) > LAST_NAME_LEN )
    throw new CWBCLNT_ERR( ERR_PAYMENT_LAST_NAME_TO_LONG );
strcpy(pPaymentData->c_last, szTmp);
}
else
{
    // parse customer id and verify that last name was NOT entered
    GetKeyValue(&ptr, "CLT*", szTmp, sizeof(szTmp),
ERR_PAYMENT_MISSING_CLT_KEY);
    if ( szTmp[0] != 0 )
        throw new CWBCLNT_ERR( ERR_PAYMENT_CID_AND_CLT );
}

    GetKeyValue(&ptr, "HAM*", szTmp, sizeof(szTmp), ERR_PAYMENT_MISSING_HAM_KEY);
    if (!IsDecimal(szTmp))
        throw new CWBCLNT_ERR( ERR_PAYMENT_HAM_INVALID );
    pPaymentData->h_amount = atof(szTmp);
    if ( pPaymentData->h_amount >= 10000.00 || pPaymentData->h_amount < 0 )
        throw new CWBCLNT_ERR( ERR_PAYMENT_HAM_RANGE );
}

/* FUNCTION: GetOrderStatusData
 *
 * PURPOSE:      This function extracts and validates the payment form data from an
http command string.
 *
 * ARGUMENTS:    LPSTR          lpszQueryString          client
browser http command string
 *
 *               ORDER_STATUS_DATA *pOrderStatusData
 */

void GetOrderStatusData(LPSTR lpszQueryString, ORDER_STATUS_DATA *pOrderStatusData)
{
    char    szTmp[26];
    char    *ptr = lpszQueryString;

    pOrderStatusData->d_id = GetIntKeyValue(&ptr, "DID*",
ERR_ORDERSTATUS_MISSING_DID_KEY, ERR_ORDERSTATUS_DID_INVALID);

    GetKeyValue(&ptr, "CID*", szTmp, sizeof(szTmp),
ERR_ORDERSTATUS_MISSING_CID_KEY);
    if ( szTmp[0] == 0 )
    {
        // customer id is blank, so last name must be entered
        pOrderStatusData->c_id = 0;
        GetKeyValue(&ptr, "CLT*", szTmp, sizeof(szTmp),
ERR_ORDERSTATUS_MISSING_CLT_KEY);
        if ( szTmp[0] == 0 )
            throw new CWBCLNT_ERR( ERR_ORDERSTATUS_MISSING_CID_CLT );

        _strupr( szTmp );
        if ( strlen(pOrderStatusData->c_last) > LAST_NAME_LEN )
            throw new CWBCLNT_ERR( ERR_ORDERSTATUS_CLT_RANGE );
        strcpy(pOrderStatusData->c_last, szTmp);
    }
    else
    {
        // parse customer id and verify that last name was NOT entered
        if ( !IsNumeric(szTmp) )
            throw new CWBCLNT_ERR( ERR_ORDERSTATUS_CID_INVALID );
        pOrderStatusData->c_id = atoi(szTmp);
        GetKeyValue(&ptr, "CLT*", szTmp, sizeof(szTmp),
ERR_ORDERSTATUS_MISSING_CLT_KEY);
        if ( szTmp[0] != 0 )
            throw new CWBCLNT_ERR( ERR_ORDERSTATUS_CID_AND_CLT );
    }
}

/* FUNCTION: BOOL IsNumeric(char *ptr)
```

Appendix A - Application Source Code

```
*
* PURPOSE:      This function determines if a string is numeric. It fails if any
characters other than numeric and null terminator are present.
*
* ARGUMENTS:    char          *ptr      pointer to string to check.
*
* RETURNS:      BOOL          FALSE    if string is not all numeric
*              TRUE          if string contains
only numeric characters i.e. '0' - '9'
*/

BOOL IsNumeric(char *ptr)
{
    if ( *ptr == 0 )
        return FALSE;

    while( *ptr && isdigit(*ptr) )
        ptr++;
    return ( !*ptr );
}

/* FUNCTION: BOOL IsDecimal(char *ptr)
*
* PURPOSE:      This function determines if a string is a non-negative decimal value.
*              It fails if any characters other than a series of numbers followed by
*              a decimal point, another series of numbers, and a null
terminator are present.
*
* ARGUMENTS:    char          *ptr      pointer to string to check.
*
* RETURNS:      BOOL          FALSE    if string is not a valid non-negative
decimal value
*              TRUE          if string is OK
*/

BOOL IsDecimal(char *ptr)
{
    char *dotptr;
    BOOL bValid;

    if ( *ptr == 0 )
        return FALSE;

    // find decimal point
    dotptr = strchr( ptr, '.' );
    if (dotptr == NULL)
        // no decimal point, so just check for numeric
        return IsNumeric(ptr);
    *dotptr = 0; // temporarily replace decimal with a terminator

    if ( *ptr != 0 )
        bValid = IsNumeric(ptr);
    // string starts with decimal point
    else if (*(dotptr+1) == 0)
        return FALSE; // nothing but a decimal point is bad
    else
        bValid = TRUE;

    if (*(dotptr+1) != 0)
        // check text after decimal point
        bValid &= IsNumeric(dotptr+1);
}
```

```
*dotptr = '.'; // replace decimal point
return bValid;
}
```

isapi_dll/src/resource.h

```
{{NO_DEPENDENCIES}}
// Microsoft Developer Studio generated include file.
// Used by tpcc.rc
//
#define IDD_DIALOG1                101

// Next default values for new objects
//
#ifdef APSTUDIO_INVOKED
#ifdef APSTUDIO_READONLY_SYMBOLS
#define _APS_NEXT_RESOURCE_VALUE    102
#define _APS_NEXT_COMMAND_VALUE    40001
#define _APS_NEXT_CONTROL_VALUE    1000
#define _APS_NEXT_SYMED_VALUE     101
#endif
#endif
```

common/src/ReadRegistry.cpp

```
/*      FILE:          READREGISTRY.CPP
*      Microsoft TPC-C Kit Ver. 4.20.000
*      Copyright Microsoft, 1999
*
*      All Rights Reserved
*
*      not yet audited
*
*      PURPOSE:      Implementation for TPC-C Tuxedo class.
*      Contact:      Charles Levine (clevine@microsoft.com)
*
*      Change history:
*      4.20.000 - first version
*/

/* FUNCTION: ReadTPCCRegistrySettings
*
* PURPOSE:          This function reads the NT registry for startup parameters. There
parameters are
*                  under the TPCC key.
*
* RETURNS          FALSE = no errors
*                  TRUE  = error reading registry
*/
BOOL ReadTPCCRegistrySettings( TPCCREGISTRYDATA *pReg )
{
    HKEY hKey;
    DWORD size;
    DWORD type;
    DWORD dwTmp;
}
```

Appendix A - Application Source Code

```
char    szTmp[256];

if ( RegOpenKeyEx(HKEY_LOCAL_MACHINE, "SOFTWARE\\Microsoft\\TPCC", 0, KEY_READ,
&hKey) != ERROR_SUCCESS )
    return TRUE;

// determine database protocol to use; may be either ODBC or DBLIB
pReg->eDB_Protocol = Unspecified;
size = sizeof(szTmp);
if ( RegQueryValueEx(hKey, "DB_Protocol", 0, &type, (BYTE *)&szTmp, &size) ==
ERROR_SUCCESS )
{
    if ( !strcmp(szTmp, szDBNames[ODBC]) )
        pReg->eDB_Protocol = ODBC;
    else if ( !strcmp(szTmp, szDBNames[DBLIB]) )
        pReg->eDB_Protocol = DBLIB;
}

pReg->eTxnMon = None;
// determine txn monitor to use; may be either TUXEDO, or blank
size = sizeof(szTmp);
if ( RegQueryValueEx(hKey, "TxnMonitor", 0, &type, (BYTE *)&szTmp, &size) ==
ERROR_SUCCESS )
{
    if ( !strcmp(szTmp, szTxnMonNames[TUXEDO]) )
        pReg->eTxnMon = TUXEDO;
    else if ( !strcmp(szTmp, szTxnMonNames[ENCINA]) )
        pReg->eTxnMon = ENCINA;
    else if ( !strcmp(szTmp, szTxnMonNames[COM]) )
        pReg->eTxnMon = COM;
}

pReg->bCOM_SinglePool = FALSE;
size = sizeof(szTmp);
if ( RegQueryValueEx(hKey, "COM_SinglePool", 0, &type, (BYTE *)&szTmp, &size)
== ERROR_SUCCESS )
{
    if ( !strcmp(szTmp, "YES") )
        pReg->bCOM_SinglePool = TRUE;
}

pReg->dwMaxConnections = 0;
size = sizeof(dwTmp);
if ( ( RegQueryValueEx(hKey, "MaxConnections", 0, &type, (LPBYTE)&dwTmp, &size)
== ERROR_SUCCESS )
    && (type == REG_DWORD) )
    pReg->dwMaxConnections = dwTmp;

pReg->dwMaxPendingDeliveries = 0;
size = sizeof(dwTmp);
if ( ( RegQueryValueEx(hKey, "MaxPendingDeliveries", 0, &type, (LPBYTE)&dwTmp,
&size) == ERROR_SUCCESS )
    && (type == REG_DWORD) )
    pReg->dwMaxPendingDeliveries = dwTmp;

pReg->dwNumberOfDeliveryThreads = 0;
size = sizeof(dwTmp);
if ( ( RegQueryValueEx(hKey, "NumberOfDeliveryThreads", 0, &type,
(LPBYTE)&dwTmp, &size) == ERROR_SUCCESS )
    && (type == REG_DWORD) )
    pReg->dwNumberOfDeliveryThreads = dwTmp;

size = sizeof( pReg->szPath );
```

```
if ( RegQueryValueEx(hKey, "Path", 0, &type, (BYTE *)&pReg->szPath, &size) !=
ERROR_SUCCESS )
    pReg->szPath[0] = 0;

size = sizeof( pReg->szDbServer );
if ( RegQueryValueEx(hKey, "DbServer", 0, &type, (BYTE *)&pReg->szDbServer,
&size) != ERROR_SUCCESS )
    pReg->szDbServer[0] = 0;

size = sizeof( pReg->szDbName );
if ( RegQueryValueEx(hKey, "DbName", 0, &type, (BYTE *)&pReg->szDbName, &size)
!= ERROR_SUCCESS )
    pReg->szDbName[0] = 0;

size = sizeof( pReg->szDbUser );
if ( RegQueryValueEx(hKey, "DbUser", 0, &type, (BYTE *)&pReg->szDbUser, &size)
!= ERROR_SUCCESS )
    pReg->szDbUser[0] = 0;

size = sizeof( pReg->szDbPassword );
if ( RegQueryValueEx(hKey, "DbPassword", 0, &type, (BYTE *)&pReg->szDbPassword,
&size) != ERROR_SUCCESS )
    pReg->szDbPassword[0] = 0;

RegCloseKey(hKey);

return FALSE;
}
```

common/src/ReadRegistry.h

```
/* FILE: ReadRegistry.h
 * Microsoft TPC-C Kit Ver. 4.20.000
 * Copyright Microsoft, 1999
 * All Rights Reserved
 * not audited
 * PURPOSE: Header for registry related code.
 * Change history:
 * 4.20.000 - first version
 */
```

```
enum DBPROTOCOL { Unspecified, ODBC, DBLIB };
const char *szDBNames[] = { "Unspecified", "ODBC", "DBLIB" };

enum TXNMON { None, TUXEDO, ENCINA, COM };
const char *szTxnMonNames[] = { "NONE", "TUXEDO", "ENCINA", "COM" };

//This structure defines the data necessary to keep distinct for each terminal or client
connection.
typedef struct _TPCCREGISTRYDATA
{
    enum DBPROTOCOL eDB_Protocol;
    enum TXNMON eTxnMon;
    BOOL bCOM_SinglePool;
    DWORD dwMaxConnections;
    DWORD dwMaxPendingDeliveries;
```

Appendix A - Application Source Code

```
    DWORD dwNumberOfDeliveryThreads;
    char szPath[128];
    char szDbServer[32];
    char szDbName[32];
    char szDbUser[32];
    char szDbPassword[32];
} TPCCREGISTRYDATA, *PTPCCREGISTRYDATA;

BOOL ReadTPCCRegistrySettings( TPCCREGISTRYDATA *pReg );
```

common/src/error.h

```
/*      FILE:          ERROR.H
 *
 *      Microsoft TPC-C Kit Ver. 4.20.000
 *      Copyright Microsoft, 1999
 *
 *      All Rights Reserved
 *
 *      Version 4.10.000 audited by Richard Gimarc,
 *      Performance Metrics, 3/17/99
 *
 *      PURPOSE:  Header file for error exception classes.
 *
 *      Change history:
 *      4.20.000 - updated rev number to match kit
 *      4.21.000 - fixed bug: ~CBaseErr needed to be declared virtual
 */

#pragma once

#ifdef _INC_STRING
#include <string.h>
#endif

const int m_szMsg_size = 512;
const int m_szApp_size = 64;
const int m_szLoc_size = 64;

//error message structure used in ErrorText routines
typedef struct _SERRORMSG
{
    int          iError;          //error id of
message        char          szMsg[256];    //message to sent to browser
} SERRORMSG;

#define ERR_FATAL_LEVEL          1
#define ERR_WARNING_LEVEL       2
#define ERR_INFORMATION_LEVEL   3

#define ERR_TYPE_LOGIC           -1          //logic error in program; internal error
#define ERR_SUCCESS              0          //success (a non-error error)
#define ERR_BAD_ITEM_ID         1          //expected abort record in txnRecord
#define ERR_TYPE_DELIVERY_POST  2          //expected delivery post failed
```

```
#define ERR_TYPE_WEBDLL          3          //tpcc web generated error
#define ERR_TYPE_SQL            4          //sql server generated error
#define ERR_TYPE_DBLIB          5          //dblib generated error
#define ERR_TYPE_ODBC           6          //odbc generated error
#define ERR_TYPE_SOCKET         7          //error on communication socket client rte only
#define ERR_TYPE_DEADLOCK      8          //dblib and odbc only deadlock condition
#define ERR_TYPE_COM           9          //error from COM call
#define ERR_TYPE_TUXEDO        10         //tuxedo error
#define ERR_TYPE_OS            11         //operating system error
#define ERR_TYPE_MEMORY        12         //memory allocation error
#define ERR_TYPE_TPCC_ODBC     13         //error from tpcc odbc txn module
#define ERR_TYPE_TPCC_DBLIB    14         //error from tpcc dblib txn module
#define ERR_TYPE_DELISRV       15         //delivery server error
#define ERR_TYPE_TXNLOG        16         //txn log error
#define ERR_TYPE_BCCONN        17         //Benchcraft connection class
#define ERR_TYPE_TPCC_CONN     18         //Benchcraft connection class
#define ERR_TYPE_ENCINA        19         //Encina error
#define ERR_TYPE_COMPONENT     20         //error from COM component
#define ERR_TYPE_RTE           21         //Benchcraft rte
#define ERR_TYPE_AUTOMATION     22         //Benchcraft automation errors

class CBaseErr
{
public:
    char          *m_szApp;
    char          *m_szMsg;
    char          *m_szLoc; // code location where the error occurred
    int           m_idMsg;

    CBaseErr(void)
    {
        m_idMsg          = 0;
        m_szMsg          = new char[m_szMsg_size];
        m_szApp          = new char[m_szApp_size];
        m_szLoc          = NULL;

        m_szMsg[0]       = 0;
        m_szApp[0]       = 0;

        GetModuleFileName(GetModuleHandle(NULL), m_szApp, m_szApp_size);
    }
};
```

Appendix A - Application Source Code

```
virtual ~CBaseErr(void)
{
    if (m_szMsg)
        delete [] m_szMsg;
    if (m_szApp)
        delete [] m_szApp;
    if (m_szLoc)
        delete [] m_szLoc;
};

CBaseErr(int idMsg)
{
    m_idMsg          = idMsg;
    m_szApp          = new char[m_szApp_size];
    m_szMsg          = new char[m_szMsg_size];
    m_szLoc          = NULL;

    GetModuleFileName(GetModuleHandle(NULL), m_szApp, m_szApp_size);
    LoadString(GetModuleHandle(NULL), idMsg, m_szMsg, m_szMsg_size);
}

CBaseErr(LPCTSTR szMsg)
{
    m_idMsg          = 0;
    m_szApp          = new char[m_szApp_size];
    m_szMsg          = new char[m_szMsg_size];
    m_szLoc          = NULL;

    GetModuleFileName(GetModuleHandle(NULL), m_szApp, m_szApp_size);
    strcpy(m_szMsg, szMsg);
}

void SetError(char *szMsg, LPCTSTR szLocation)
{
    if (szMsg != NULL)
        strcpy(m_szMsg, szMsg);
    else
        m_szMsg[0] = 0;

    if (szLocation != NULL)
    {
        delete [] m_szLoc;
        m_szLoc = new char[strlen(szLocation)+1];
        strcpy(m_szLoc, szLocation);
    }
    else
    {
        delete [] m_szLoc;
        m_szLoc = NULL;
    }
}

virtual void Draw(HWND hwnd, LPCTSTR szStr = NULL)
{
    int      j;
    char    szTmp[512];

    if (szStr)
        j = wsprintf(szTmp, "%s\n", szStr);
    if (m_szLoc)
        j += wsprintf(szTmp+j, "Location=%s\n", m_szLoc);
    if (m_szMsg)
        j += wsprintf(szTmp+j, "%s\n", m_szMsg);
};
```

```
        ::MessageBox(hwnd, szTmp, m_szApp, MB_OK);
    }

    char *GetApp(void) { return m_szApp; }
    char *GetMsg(void) { return m_szMsg; }
    char *GetLocation(void) { return m_szLoc; }

    virtual int ErrorType() = 0; // a value which distinguishes the kind of error
    that occurred
    virtual int ErrorNum() = 0; // an error value specific to the error
    type
    virtual char *ErrorText() = 0; // a string (i.e., human readable)
    representation of the error
};

class CSocketErr : public CBaseErr
{
public:
    enum Action
    {
        eNone,
        eSend,
        eSocket,
        eConnect
    };

    CSocketErr(Action eAction, LPCTSTR szLocation);
    CSocketErr(int iError) { m_errId = iError; };
    int m_errId;
    Action m_eAction;

    int ErrorType() { return ERR_TYPE_SOCKET; };
    int ErrorNum() { return m_errId; };
    char *ErrorText(void);
};

class CSystemErr : public CBaseErr
{
public:
    enum Action
    {
        eNone,
        eTransactNamedPipe,
        eWaitNamedPipe,
        eSetNamedPipeHandleState,
        eCreateFile,
        eCreateProcess,
        eCallNamedPipe,
        eCreateEvent,
        eCreateThread,
        eVirtualAlloc,
        eReadFile,
        eWriteFile,
        eMapViewOfFile,
        eCreateFileMapping,
        eInitializeSecurityDescriptor,
        eSetSecurityDescriptorDacl,
        eCreateNamedPipe,
        eConnectNamedPipe,
        eWaitForSingleObject,
        eRegOpenKeyEx,
    };
};
```


Appendix A - Application Source Code

```
        eRegQueryValueEx,
    };

    CSystemErr(Action eAction, LPCTSTR szLocation);

    void Draw(HWND hwnd, LPCTSTR szStr = NULL);

    int          m_errId;
    Action       m_eAction;

    int ErrorType() { return ERR_TYPE_OS;}
    int ErrorNum() { return m_errId;}
    char *ErrorText() { return m_szMsg; }
};

class CMemoryErr : public CBaseErr
{
public:
    CMemoryErr(void);

    int ErrorType() { return ERR_TYPE_MEMORY;}
    int ErrorNum() { return 0;}
    char *ErrorText() { return "Insufficient Memory to continue.";}
};
```

common/src/trans.h

```
/*      FILE:          TRANS.H
 *
 *      Microsoft TPC-C Kit Ver. 4.20.000
 *      Copyright Microsoft, 1999
 *
 *      All Rights Reserved
 *
 *      Version 4.10.000 audited by Richard Gimarc,
 *      Performance Metrics, 3/17/99
 *
 *      PURPOSE:  Header file for TPC-C structure templates.
 *
 *      Change history:
 *      *      4.20.000 - updated rev number to match kit
 */
#pragma once

// String length constants
#define SERVER_NAME_LEN      20
#define DATABASE_NAME_LEN   20
#define USER_NAME_LEN       20
#define PASSWORD_LEN        20
#define TABLE_NAME_LEN    20
#define I_DATA_LEN          50
#define I_NAME_LEN          24
#define BRAND_LEN           1
#define LAST_NAME_LEN       16
#define W_NAME_LEN          10
#define ADDRESS_LEN         20
#define STATE_LEN           2
#define ZIP_LEN              9
#define S_DIST_LEN          24
#define S_DATA_LEN          50
```

```
#define D_NAME_LEN          10
#define FIRST_NAME_LEN     16
#define MIDDLE_NAME_LEN    2
#define PHONE_LEN          16
#define DATETIME_LEN       30
#define CREDIT_LEN         2
#define C_DATA_LEN         250
#define H_DATA_LEN         24
#define DIST_INFO_LEN      24
#define MAX_OL_NEW_ORDER_ITEMS 15
#define MAX_OL_ORDER_STATUS_ITEMS 15
#define STATUS_LEN         25
#define OL_DIST_INFO_LEN   24

// TIMESTAMP_STRUCT is provided by the ODBC header file sqltypes.h, but is not available
// when compiling with dblink, so redefined here. Note: we are using the symbol
// "__SQLTYPES"
// (declared in sqltypes.h) as a way to determine if TIMESTAMP_STRUCT has been declared.
#ifndef __SQLTYPES
typedef struct
{
    short          /* SQLSMALLINT */   year;
    unsigned short /* SQLUSMALLINT */  month;
    unsigned short /* SQLUSMALLINT */  day;
    unsigned short /* SQLUSMALLINT */  hour;
    unsigned short /* SQLUSMALLINT */  minute;
    unsigned short /* SQLUSMALLINT */  second;
    unsigned long  /* SQLINTEGER */    fraction;
} TIMESTAMP_STRUCT;
#endif

// possible values for exec_status_code after transaction completes
enum EXEC_STATUS
{
    eOK, // 0 "Transaction committed."
    eInvalidItem, // 1 "Item number is not valid."
    eDeliveryFailed // 2 "Delivery Post Failed."
};

// transaction structures
typedef struct
{
    // input params
    short          ol_supply_w_id;
    long           ol_i_id;
    short          ol_quantity;

    // output params
    char           ol_i_name[I_NAME_LEN+1];
    char           ol_brand_generic[BRAND_LEN+1];
    double         ol_i_price;
    double         ol_amount;
    short          ol_stock;
} OL_NEW_ORDER_DATA;

typedef struct
{
    // input params
    short          w_id;
    short          d_id;
    long           c_id;
    short          o_ol_cnt;
```

Appendix A - Application Source Code

```

// output params
EXEC_STATUS          exec_status_code;
char                 c_last[LAST_NAME_LEN+1];
char                 c_credit[CREDIT_LEN+1];
double               c_discount;
double               w_tax;
double               d_tax;
long                 o_id;
short                o_commit_flag;
TIMESTAMP_STRUCT    o_entry_d;
short                o_all_local;
double               total_amount;
OL_NEW_ORDER_DATA   OL[MAX_OL_NEW_ORDER_ITEMS];
} NEW_ORDER_DATA, *PNEW_ORDER_DATA;

typedef struct
{
    // input params
    short                w_id;
    short                d_id;
    long                 c_id;
    short                c_d_id;
    short                c_w_id;
    double               h_amount;
    char                 c_last[LAST_NAME_LEN+1];

    // output params
    EXEC_STATUS          exec_status_code;
    TIMESTAMP_STRUCT     h_date;
    char                 w_street_1[ADDRESS_LEN+1];
    char                 w_street_2[ADDRESS_LEN+1];
    char                 w_city[ADDRESS_LEN+1];
    char                 w_state[STATE_LEN+1];
    char                 w_zip[ZIP_LEN+1];
    char                 d_street_1[ADDRESS_LEN+1];
    char                 d_street_2[ADDRESS_LEN+1];
    char                 d_city[ADDRESS_LEN+1];
    char                 d_state[STATE_LEN+1];
    char                 d_zip[ZIP_LEN+1];
    char                 c_first[FIRST_NAME_LEN+1];
    char                 c_middle[MIDDLE_NAME_LEN + 1];
    char                 c_street_1[ADDRESS_LEN+1];
    char                 c_street_2[ADDRESS_LEN+1];
    char                 c_city[ADDRESS_LEN+1];
    char                 c_state[STATE_LEN+1];
    char                 c_zip[ZIP_LEN+1];
    char                 c_phone[PHONE_LEN+1];
    TIMESTAMP_STRUCT     c_since;
    char                 c_credit[CREDIT_LEN+1];
    double               c_credit_lim;
    double               c_discount;
    double               c_balance;
    char                 c_data[200+1];
} PAYMENT_DATA, *PPAYMENT_DATA;

typedef struct
{
    long                 ol_i_id;
    short                ol_supply_w_id;
    short                ol_quantity;
    double               ol_amount;
    TIMESTAMP_STRUCT     ol_delivery_d;
} OL_ORDER_STATUS_DATA;

```

```

typedef struct
{
    // input params
    short                w_id;
    short                d_id;
    long                 c_id;
    char                 c_last[LAST_NAME_LEN+1];

    // output params
    EXEC_STATUS          exec_status_code;
    char                 c_first[FIRST_NAME_LEN+1];
    char                 c_middle[MIDDLE_NAME_LEN+1];
    double               c_balance;
    long                 o_id;
    TIMESTAMP_STRUCT     o_entry_d;
    short                o_carrier_id;
    OL_ORDER_STATUS_DATA OL[MAX_OL_ORDER_STATUS_ITEMS];
    short                o_ol_cnt;
} ORDER_STATUS_DATA, *PORDER_STATUS_DATA;

typedef struct
{
    // input params
    short                w_id;
    short                o_carrier_id;

    // output params
    EXEC_STATUS          exec_status_code;
    SYSTEMTIME           queue_time;
    long                 o_id[10];
} DELIVERED_ORDERS_DATA, *PDELIVERED_ORDERS_DATA;

//This structure is used for posting delivery transactions and for writing them to the
//delivery server.
typedef struct _DELIVERY_TRANSACTION
{
    SYSTEMTIME           queue;
    short                w_id;
    short                o_carrier_id;
} DELIVERY_TRANSACTION;

typedef struct
{
    // input params
    short                w_id;
    short                d_id;
    short                threshold;

    // output params
    EXEC_STATUS          exec_status_code;
    long                 low_stock;
} STOCK_LEVEL_DATA, *PSTOCK_LEVEL_DATA;

```

common/src/txn_base.h

```

/* FILE: TXN_BASE.H
 * Microsoft TPC-C Kit Ver. 4.20.000
 * Copyright Microsoft, 1999
 * All Rights Reserved

```

Appendix A - Application Source Code

```
*
*
*                               Version 4.10.000 audited by Richard Gimarc,
Performance Metrics, 3/17/99
*
*       PURPOSE:  Header file for TPC-C txn class implementation.
*
*       Change history:
*       4.20.000 - updated rev number to match kit
*/

#pragma once

// need to declare functions for import, unless define has already been created
// by the DLL's .cpp module for export.
#ifndef DllDecl
#define DllDecl __declspec( dllimport )
#endif

class DllDecl CTPCC_BASE
{
public:
    CTPCC_BASE(void) {};
    virtual ~CTPCC_BASE(void) {};

    virtual PNEW_ORDER_DATA      BuffAddr_NewOrder()
= 0;
    virtual PPAYMENT_DATA        BuffAddr_Payment()
= 0;
    virtual PDELIVERY_DATA       BuffAddr_Delivery()
= 0;
    virtual PSTOCK_LEVEL_DATA     BuffAddr_StockLevel()      = 0;
    virtual PORDER_STATUS_DATA    BuffAddr_OrderStatus()     = 0;

    virtual void NewOrder        () = 0;
    virtual void Payment         () = 0;
    virtual void Delivery        () = 0;
    virtual void StockLevel      () = 0;
    virtual void OrderStatus     () = 0;
};
```

db_dblib_dll/src/tpcc_dblib.cpp

```
/*      FILE:          TPCCC_DBLIB.CPP
*
*      Microsoft TPC-C Kit Ver. 4.20.000
*      Copyright Microsoft, 1999
*
*      All Rights Reserved
*
*      Version 4.10.000 audited by Richard Gimarc,
Performance Metrics, 3/17/99
*
*      PURPOSE:  Implements dblib calls for TPC-C txns.
*      Contact:  Charles Levine (clevine@microsoft.com)
*
*      Change history:
*      4.20.000 - updated rev number to match kit
*      4.10.001 - not deleting error class in catch handler on deadlock
retry;
*
*                               not a functional bug, but a memory leak
```

```
*
*                               - had to tweak some declarations to compile with
latest SDK; no functional change
*/

#include <windows.h>
#include <stdio.h>
#include <assert.h>

#define DBNTWIN32
#include <sqlfront.h>
#include <sqlldb.h>

#ifndef ICECAP
#include <icapexp.h>
#endif

// need to declare functions for export
#define DllDecl __declspec( dllexport )

#include "..\..\common\src\error.h"
#include "..\..\common\src\trans.h"
#include "..\..\common\src\txn_base.h"
#include "tpcc_dblib.h"

#define DEFCLPACKSIZE          4096

// version string; must match return value from tpcc_version stored proc
const char      sVersion[] = "4.10.000";

const          iMaxRetries = 10;          // how many retries on
deadlock
static long     iConnectionCount = 0;    // number of current dblib connections

BOOL WINAPI DllMain(HMODULE hModule, DWORD ul_reason_for_call, LPVOID lpReserved)
{
    switch( ul_reason_for_call )
    {
        case DLL_PROCESS_ATTACH:
            DisableThreadLibraryCalls(hModule);
            dbinit();          // initialize dblib
            break;

        case DLL_PROCESS_DETACH:
            dbexit();          // close all dblib
            structures/connections
            break;

        default:
            /* nothing */;
    }
    return TRUE;
}

int err_handler(DBPROCESS *dbproc, int severity, int dberr, int oserr, LPCSTR dberrstr,
LPCSTR oserrstr)
{
    CTPCC_DBLIB          *pConn;

    assert(dbproc != NULL);
    pConn = (CTPCC_DBLIB*)dbgetuserdata(dbproc);

    if (pConn != NULL)
```

Appendix A - Application Source Code

```

    {
        pConn->SetDbLibError( severity, dberr, oserr, dberrstr, oserrstr );
    }
    return INT_CANCEL;
}

/* FUNCTION: int msg_handler(DBPROCESS *dbproc, DBINT msgno, int msgstate, int severity,
char *msgtext)
*
* PURPOSE:      This function handles DB-Library SQL Server error messages
*
* ARGUMENTS:    DBPROCESS      *dbproc          DBPROCESS id
pointer
*
*               DBINT          msgno
*
*               int            msgstate
*
*               int            severity
*
*               char           *msgtext
*
*               printable message description
*
* RETURNS:      int            INT_CONTINUE
*
*               continue if error is SLETIME else INT_CANCEL action
*
*               INT_CANCEL     cancel operation
*
* COMMENTS:     This function also sets the dead lock dbproc variable if necessary.
*
*/

// typedef INT (SQLAPI *DBMSGHANDLE_PROC)(PDBPROCESS, DBINT, INT, INT, LPCSTR, LPCSTR,
LPCSTR, DBUSMALLINT);

int msg_handler(DBPROCESS *dbproc, DBINT msgno, int msgstate, int severity,
LPCSTR msgtext, LPCSTR srvname, LPCSTR procname,
DBUSMALLINT line)
{
    CTPCC_DBLIB          *pConn;

    assert(dbproc != NULL);
    pConn = (CTPCC_DBLIB*)dbgetuserdata(dbproc);

    if (pConn != NULL)
    {
        pConn->SetSqlError( msgno, msgstate, severity, msgtext );
    }

    return 0;
}

/* FUNCTION: void UtilStrCpy(char * pDest, char * pSrc, int n)
*
* PURPOSE:      This function copies n characters from string pSrc to pDst and places
a
*               null character at the end of the destination string.
*
* ARGUMENTS:    char           *pDest  destination string pointer
*               char           *pSrc   source
string pointer
*               int            n
*
*               number of characters to copy
*
*/

```

```

* RETURNS:      None
*
* COMMENTS:     Unlike strncpy this function ensures that the result string is
*               always null terminated.
*
*/

inline static void UtilStrCpy(char * pDest, const BYTE * pSrc, int n)
{
    strncpy(pDest, (char *)pSrc, n);
    pDest[n] = '\0';

    return;
}

/* FUNCTION: CTPCC_DBLIB_ERR::ErrorText
*
*/

char* CTPCC_DBLIB_ERR::ErrorText(void)
{
    int i;

    static SERRORMSG errorMsgs[] =
    {
        { ERR_WRONG_SP_VERSION,          "Wrong version of stored
procs on database server" },
        { ERR_INVALID_CUST,              "Invalid Customer id.name." },
        { ERR_NO_SUCH_ORDER,             "No orders found for
customer." },
        { 0,                             },
    };

    static char szNotFound[] = "Unknown error number.";

    for(i=0; errorMsgs[i].szMsg[0]; i++)
    {
        if ( m_errno == errorMsgs[i].iError )
            break;
    }

    if ( !errorMsgs[i].szMsg[0] )
        return szNotFound;

    else
        return errorMsgs[i].szMsg;
}

// wrapper routine for class constructor
__declspec(dllexport) CTPCC_DBLIB* CTPCC_DBLIB_new(
LPCSTR szServer,          // name of SQL server
LPCSTR szUser,           // user name for login
LPCSTR szPassword,       // password for login
LPCSTR szHost,           // workstation name; shows up in
sp_who; max 30 chars, only first 10 kept by SQL Server
LPCSTR szDatabase )     // name of database to use
{
    return new CTPCC_DBLIB( szServer, szUser, szPassword, szHost, szDatabase );
}

CTPCC_DBLIB::CTPCC_DBLIB (

```

Appendix A - Application Source Code

```
LPCSTR szServer,           // name of SQL server
LPCSTR szUser,             // user name for login
LPCSTR szPassword,        // password for login
LPCSTR szHost,            // workstation name; shows up in
sp_who; max 30 chars, only first 10 kept by SQL Server
LPCSTR szDatabase )       // name of database to use
{
    LOGINREC *login;
    const BYTE *pData;

    // initialization
    m_dbproc = NULL;
    m_DbLibErr = (CDBLIBERR*)NULL;
    m_SqlErr = (CSQLERR*)NULL;

    m_MaxRetries = 10;           // how many retries on deadlock

    // increase max number of connections if getting close
    if ( dbgetmaxprocs() < (iConnectionCount+5) )
    {
        if ( dbsetmaxprocs(iConnectionCount+10) == FAIL )
            ThrowError(CDBLIBERR::eDbSetMaxProcs);
    }

    // allocate a login structure
    login = dblogin();
    if (login == NULL)
        ThrowError(CDBLIBERR::eLogin);
    InterlockedIncrement( &iConnectionCount );

    // register error and message handler functions
    if (dbprocerrhandle(login, err_handler) == NULL)
        ThrowError(CDBLIBERR::eDbProcHandler);

    if (dbprocmshandle(login, msg_handler) == NULL)
        ThrowError(CDBLIBERR::eDbProcHandler);

    DBSETLUSER(login, szUser);
    DBSETLPWD(login, szPassword);
    DBSETLHOST(login, szHost);
    DBSETLPACKET(login, (unsigned short)DEFCLPACKSIZE);
    DBSETLVERSION(login, DBVER60); // use dblink ver 6.0 client

behavior

    // set time to wait for login
    if (dbsetlogintime(60) == FAIL)
        ThrowError(CDBLIBERR::eDbSet);

    // set time to wait for statement execution
    if (dbsettime(180) == FAIL)
        ThrowError(CDBLIBERR::eDbSet);

    m_dbproc = dbopen(login, szServer);

    // deallocate login structure before checking for success
    dbfreelogin( login );

    if (m_dbproc == NULL)
        ThrowError(CDBLIBERR::eDbOpen);

    // save address of class instance so that the message and error handler
    // can get to data.
```

```
dbsetuserdata(m_dbproc, (LPVOID)this);

    // Use the the right database
    if (dbuse(m_dbproc, szDatabase) == FAIL)
        ThrowError(CDBLIBERR::eDbUse);

    dbcmd(m_dbproc, "set nocount on "); // do not return
row counts
    dbcmd(m_dbproc, "set XACT_ABORT ON"); // rollback transaction on
abort

    if (dbsqlxexec(m_dbproc) == FAIL)
        ThrowError(CDBLIBERR::eDbSqlExec);

    DiscardNextResults(2);

    // verify that version of stored procs on server is correct
    dbrpcinit(m_dbproc, "tpcc_version", 0);

    if (dbrpcexec(m_dbproc) == FAIL)
        ThrowError(CDBLIBERR::eDbRpcExec);

    if (dbresults(m_dbproc) != SUCCEED)
        ThrowError(CDBLIBERR::eDbResults);

    if (dbnextrow(m_dbproc) != REG_ROW)
        ThrowError(CDBLIBERR::eDbNextRow);

    char szSrvVersion[16];
    pData=dbdata(m_dbproc, 1);
    if (pData)
        UtilStrCpy(szSrvVersion, pData, dbdatlen(m_dbproc, 1));
    else
        szSrvVersion[0]=0;
    if (strcmp(szSrvVersion,sVersion))
        throw new CTPCC_DBLIB_ERR( CTPCC_DBLIB_ERR::ERR_WRONG_SP_VERSION );

    DiscardNextRows(0);
    DiscardNextResults(0);
}

CTPCC_DBLIB::~CTPCC_DBLIB( void )
{
    // close db connection and deallocate resources
    dbclose(m_dbproc);
    InterlockedDecrement( &iConnectionCount );
    if (m_DbLibErr != NULL)
        delete m_DbLibErr;
    if (m_SqlErr != NULL)
        delete m_SqlErr;
}

void CTPCC_DBLIB::SetDbLibError(int severity, int dberr, int oserr, LPCSTR dberrstr,
LPCSTR oserrstr)
{
    delete m_DbLibErr;
    m_DbLibErr = new CDBLIBERR(CDBLIBERR::eUnknown, severity, dberr, oserr);

    if (dberrstr != NULL)
    {
        m_DbLibErr->m_dberrstr = new char[ strlen(dberrstr)+1 ];
```

Appendix A - Application Source Code

```
        strcpy( m_DbLibErr->m_dberrstr, dberrstr );
    }
    if ( oserrstr != NULL )
    {
        m_DbLibErr->m_oserrstr = new char[ strlen(oserrstr)+1 ];
        strcpy( m_DbLibErr->m_oserrstr, oserrstr );
    }
}

void CTPCC_DBLIB::SetSqlError( int /*DBINT*/ msgno, int msgstate, int severity, LPCSTR
msgtext )
{
    if ( m_SqlErr == NULL )
        m_SqlErr = new CSQLEERR();

    m_SqlErr->m_msgno = msgno;
    m_SqlErr->m_msgstate = msgstate;
    m_SqlErr->m_severity = severity;

    delete [] m_SqlErr->m_msgtext;
    if ( msgtext != NULL )
    {
        m_SqlErr->m_msgtext = new char[ strlen(msgtext)+1 ];
        strcpy( m_SqlErr->m_msgtext, msgtext );
    }
}

void CTPCC_DBLIB::ThrowError( CDBLIBERR::ACTION eAction )
{
    // discard anything still in return buffer
    DiscardNextRows(-1);
    DiscardNextResults(-1);

    // check for SQL Server error first; if yes, throw it and ignore any Dblib
error.
    if ( m_SqlErr != NULL )
    {
        CSQLEERR *pSqlErr;
        pSqlErr = m_SqlErr;
        m_SqlErr = NULL; // clear our pointer to instance; catch handler
will delete
    }
        throw pSqlErr;

    CDBLIBERR *pDbLibErr;
    if ( m_DbLibErr == NULL )
was returned
        // this case isn't expected to happen, since it means that an error
        // but the error handlers were not called.
        pDbLibErr = new CDBLIBERR(eAction);
    else
    {
        pDbLibErr = m_DbLibErr;
        pDbLibErr->m_eAction = eAction;
        m_DbLibErr = NULL; // clear our pointer to instance; catch
handler will delete
    }
        throw pDbLibErr;
}
}
```

```
// Read and discard rows until no more. Throw an exception if number of rows read
doesn't
// match number of rows expected. The row count will be ignored if the expected count
value
// passed in is negative. A typical use of this routine is to verify that there are no
more
// rows to be read.
void CTPCC_DBLIB::DiscardNextRows(int iExpectedCount)
{
    int          iRowsRead = 0;
    RETCODE      rc;

    while (TRUE)
    {
        rc = dbnextrow(m_dbproc);
        if (rc == NO_MORE_ROWS)
            break;
        if (rc == FAIL)
        {
            if (iExpectedCount >= 0)
                ThrowError(CDBLIBERR::eDbNextRow);
            else
                break;
        }
        iRowsRead++;
    }

    if ((iExpectedCount >= 0) &&
        (iExpectedCount != iRowsRead))
        ThrowError(CDBLIBERR::eWrongRowCount);
}

// Read and discard results until no more. Throw an exception if number of result sets
read doesn't
// match number expected. The result set count will be ignored if the expected count
value
// passed in is negative. A typical use of this routine is to verify that there are no
more
// result sets to be read.
void CTPCC_DBLIB::DiscardNextResults(int iExpectedCount)
{
    int          iResultsRead = 0;
    RETCODE      rc;

    while (TRUE)
    {
        rc = dbresults(m_dbproc);
        if (rc == NO_MORE_RESULTS)
            break;
        if (rc == FAIL)
        {
            if (iExpectedCount >= 0)
                ThrowError(CDBLIBERR::eDbResults);
            else
                break;
        }

        DiscardNextRows(-1);
        iResultsRead++;
    }

    if ((iExpectedCount >= 0) &&
        (iExpectedCount != iResultsRead))
```

Appendix A - Application Source Code

```
        ThrowError(CDBLIBERR::eWrongRowCount);
    }
}

void CTPCC_DBLIB::StockLevel()
{
    int                iTryCount = 0;
    const BYTE        *pData;

    ResetError();

    while (TRUE)
    {
        try
        {
            dbrpcinit(m_dbproc, "tpcc_stocklevel", 0);

            dbrpcparam(m_dbproc, NULL, 0, SQLINT2, -1, -1, (BYTE *)
                &m_txn.StockLevel.w_id); // @w_id smallint
            dbrpcparam(m_dbproc, NULL, 0, SQLINT1, -1, -1, (BYTE *)
                &m_txn.StockLevel.d_id); // @d_id tinyint
            dbrpcparam(m_dbproc, NULL, 0, SQLINT2, -1, -1, (BYTE *)
                &m_txn.StockLevel.threshold); // @threshold smallint

            if (dbrpcexec(m_dbproc) == FAIL)
                ThrowError(CDBLIBERR::eDbRpcExec);

            if (dbresults(m_dbproc) != SUCCEED)
                ThrowError(CDBLIBERR::eDbResults);

            if (dbnextrow(m_dbproc) != REG_ROW)
                ThrowError(CDBLIBERR::eDbNextRow);

            if (pData=dbdata(m_dbproc, 1))
                m_txn.StockLevel.low_stock = *((long *) pData);

            DiscardNextRows(0);
            DiscardNextResults(0);

            m_txn.StockLevel.exec_status_code = eOK;
            return;
        }
        catch (CSQLERR *e)
        {
            if ((e->m_msgno != 1205) || (++iTryCount > iMaxRetries))
                throw;

            // hit deadlock; backoff for increasingly longer period
            delete e;
            Sleep(10 * iTryCount);
        }
    } // while (TRUE)
}

void CTPCC_DBLIB::NewOrder()
{
    int                i;
    DBINT              commit_flag;
    DBDATETIME         datetime;
    DBDATEREC          daterec;

    int                iTryCount = 0;
    const BYTE        *pData;
```

```
    ResetError();

    while (TRUE)
    {
        try
        {
            dbrpcinit(m_dbproc, "tpcc_neworder", 0);

            dbrpcparam(m_dbproc, NULL, 0, SQLINT2, -1, -1, (BYTE *)
                &m_txn.NewOrder.w_id);
            dbrpcparam(m_dbproc, NULL, 0, SQLINT1, -1, -1, (BYTE *)
                &m_txn.NewOrder.d_id);
            dbrpcparam(m_dbproc, NULL, 0, SQLINT4, -1, -1, (BYTE *)
                &m_txn.NewOrder.c_id);
            dbrpcparam(m_dbproc, NULL, 0, SQLINT1, -1, -1, (BYTE *)
                &m_txn.NewOrder.o_ol_cnt);

            // check whether any order lines are for a remote warehouse
            m_txn.NewOrder.o_all_local = 1;
            for (i = 0; i < m_txn.NewOrder.o_ol_cnt; i++)
            {
                if (m_txn.NewOrder.OL[i].ol_supply_w_id !=
                    m_txn.NewOrder.w_id)
                {
                    m_txn.NewOrder.o_all_local = 0; // at
                    break;
                }
            }
            dbrpcparam(m_dbproc, NULL, 0, SQLINT1, -1, -1, (BYTE *)
                &m_txn.NewOrder.o_all_local);

            for (i = 0; i < m_txn.NewOrder.o_ol_cnt; i++)
            {
                dbrpcparam(m_dbproc, NULL, 0, SQLINT4, -1, -1,
                    (BYTE *) &m_txn.NewOrder.OL[i].ol_i_id);
                dbrpcparam(m_dbproc, NULL, 0, SQLINT2, -1, -1,
                    (BYTE *) &m_txn.NewOrder.OL[i].ol_supply_w_id);
                dbrpcparam(m_dbproc, NULL, 0, SQLINT2, -1, -1,
                    (BYTE *) &m_txn.NewOrder.OL[i].ol_quantity);
            }

            if (dbrpcexec(m_dbproc) == FAIL)
                ThrowError(CDBLIBERR::eDbRpcExec);

            // Get order line results
            m_txn.NewOrder.total_amount = 0;
            for (i = 0; i < m_txn.NewOrder.o_ol_cnt; i++)
            {
                if (dbresults(m_dbproc) != SUCCEED)
                    ThrowError(CDBLIBERR::eDbResults);

                if (dbnumcols(m_dbproc) != 5)
                    ThrowError(CDBLIBERR::eWrongNumCols);

                if (dbnextrow(m_dbproc) != REG_ROW)
                    ThrowError(CDBLIBERR::eDbNextRow);

                if (pData=dbdata(m_dbproc, 1))

                    UtilStrCpy(m_txn.NewOrder.OL[i].ol_i_name, pData, dbdatlen(m_dbproc, 1));
            }
        }
    }
}
```

Appendix A - Application Source Code

```
        if(pData=dbdata(m_dbproc, 2))
            m_txn.NewOrder.OL[i].ol_stock =
(* (DBSMALLINT *) pData);
        if(pData=dbdata(m_dbproc, 3))
            UtilStrCpy(m_txn.NewOrder.OL[i].ol_brand_generic, pData, dbdatlen(m_dbproc,
3));
        if(pData=dbdata(m_dbproc, 4))
            dbconvert(m_dbproc, SQLNUMERIC, pData,
dbdatlen(m_dbproc,4),
            SQLFLT8, (BYTE
*)&m_txn.NewOrder.OL[i].ol_i_price, 8);
        if(pData=dbdata(m_dbproc, 5))
            dbconvert(m_dbproc, SQLNUMERIC, pData,
dbdatlen(m_dbproc,5),
            SQLFLT8, (BYTE
*)&m_txn.NewOrder.OL[i].ol_amount, 8);
        m_txn.NewOrder.total_amount =
m_txn.NewOrder.total_amount + m_txn.NewOrder.OL[i].ol_amount;
        DiscardNextRows(0);
    }
    // get remaining values for w_tax, d_tax, o_id, c_last,
c_discount, c_credit, o_entry_d, commit_flag
    if (dbresults(m_dbproc) != SUCCEEDED)
        ThrowError(CDBLIBERR::eDbResults);
    if (dbnextrow(m_dbproc) != REG_ROW)
        ThrowError(CDBLIBERR::eDbNextRow);
    if (dbnumcols(m_dbproc) != 8)
        ThrowError(CDBLIBERR::eWrongNumCols);
    if (pData=dbdata(m_dbproc, 1))
        dbconvert(m_dbproc, SQLNUMERIC, pData,
dbdatlen(m_dbproc,1), SQLFLT8, (BYTE *)&m_txn.NewOrder.w_tax, 8);
    if (pData=dbdata(m_dbproc, 2))
        dbconvert(m_dbproc, SQLNUMERIC, pData,
dbdatlen(m_dbproc,2), SQLFLT8, (BYTE *)&m_txn.NewOrder.d_tax, 8);
    if (pData=dbdata(m_dbproc, 3))
        m_txn.NewOrder.o_id = (*(DBINT *) pData);
    if (pData=dbdata(m_dbproc, 4))
        UtilStrCpy(m_txn.NewOrder.c_last, pData,
dbdatlen(m_dbproc, 4));
    if (pData=dbdata(m_dbproc, 5))
        dbconvert(m_dbproc, SQLNUMERIC, pData,
dbdatlen(m_dbproc,5), SQLFLT8, (BYTE *)&m_txn.NewOrder.c_discount, 8);
    if (pData=dbdata(m_dbproc, 6))
        UtilStrCpy(m_txn.NewOrder.c_credit, pData,
dbdatlen(m_dbproc, 6));
    if (pData=dbdata(m_dbproc, 7))
    {
        datetime = *((DBDATETIME *) pData);
        dbdatecrack(m_dbproc, &daterec, &datetime);
        m_txn.NewOrder.o_entry_d.year = daterec.year;
        m_txn.NewOrder.o_entry_d.month = daterec.month;
```

```
        m_txn.NewOrder.o_entry_d.day = daterec.day;
        m_txn.NewOrder.o_entry_d.hour = daterec.hour;
        m_txn.NewOrder.o_entry_d.minute = daterec.minute;
        m_txn.NewOrder.o_entry_d.second = daterec.second;
    }
    if (pData=dbdata(m_dbproc, 8))
        commit_flag = (*(DBTINYINT *) pData);
    DiscardNextRows(0);
    DiscardNextResults(0);
    if (commit_flag == 1)
    {
        m_txn.NewOrder.total_amount *= ((1 +
m_txn.NewOrder.w_tax + m_txn.NewOrder.d_tax) * (1 - m_txn.NewOrder.c_discount));
        m_txn.NewOrder.exec_status_code = eOK;
    }
    else
        m_txn.NewOrder.exec_status_code = eInvalidItem;
    return;
}
catch (CSQLERR *e)
{
    if ((e->m_msgno != 1205) || (++iTryCount > iMaxRetries))
        throw;
    // hit deadlock; backoff for increasingly longer period
    delete e;
    Sleep(10 * iTryCount);
}
// while (TRUE)
}

void CTPCC_DBLIB::Payment()
{
    DBDATETIME datetime;
    DBDATERECD daterec;

    int iTryCount = 0;
    const BYTE *pData;

    ResetError();

    while (TRUE)
    {
        try
        {
            dbrpcinit(m_dbproc, "tpcc_payment", 0);
            dbrpcparam(m_dbproc, NULL, 0, SQLINT2, -1, -1, (BYTE *)
&m_txn.Payment.w_id);
            dbrpcparam(m_dbproc, NULL, 0, SQLINT2, -1, -1, (BYTE *)
&m_txn.Payment.c_w_id);
            dbrpcparam(m_dbproc, NULL, 0, SQLFLT8, -1, -1, (BYTE *)
&m_txn.Payment.h_amount);
            dbrpcparam(m_dbproc, NULL, 0, SQLINT1, -1, -1, (BYTE *)
&m_txn.Payment.d_id);
            dbrpcparam(m_dbproc, NULL, 0, SQLINT1, -1, -1, (BYTE *)
&m_txn.Payment.c_d_id);
```


Appendix A - Application Source Code

```
&m_txn.Payment.c_id);
    dbrpcparam(m_dbproc, NULL, 0, SQLINT4, -1, -1, (BYTE *)
    // if customer id is zero, then payment is by name
    if (m_txn.Payment.c_id == 0)
        dbrpcparam(m_dbproc, NULL, 0, SQLCHAR, -1,
        strlen(m_txn.Payment.c_last), (unsigned char *)m_txn.Payment.c_last);

    if (dbrpcexec(m_dbproc) == FAIL)
        ThrowError(CDBLIBERR::eDbRpcExec);

    if (dbresults(m_dbproc) != SUCCEEDED)
        ThrowError(CDBLIBERR::eDbResults);

    if (dbnextrow(m_dbproc) != REG_ROW)
        ThrowError(CDBLIBERR::eDbNextRow);

    if (dbnumcols(m_dbproc) != 27)
        ThrowError(CDBLIBERR::eWrongNumCols);

    if (pData=dbdata(m_dbproc, 1))
        m_txn.Payment.c_id = *((DBINT *) pData);
    if (pData=dbdata(m_dbproc, 2))
        UtilStrCpy(m_txn.Payment.c_last, pData,
        dbdatlen(m_dbproc, 2));

    if (pData=dbdata(m_dbproc, 3))
    {
        datetime = *((DBDATETIME *) pData);
        dbdatecrack(m_dbproc, &daterec, &datetime);
        m_txn.Payment.h_date.year = daterec.year;
        m_txn.Payment.h_date.month = daterec.month;
        m_txn.Payment.h_date.day = daterec.day;
        m_txn.Payment.h_date.hour = daterec.hour;
        m_txn.Payment.h_date.minute = daterec.minute;
        m_txn.Payment.h_date.second = daterec.second;
    }
    if (pData=dbdata(m_dbproc, 4))
        UtilStrCpy(m_txn.Payment.w_street_1, pData,
        dbdatlen(m_dbproc, 4));

    if (pData=dbdata(m_dbproc, 5))
        UtilStrCpy(m_txn.Payment.w_street_2, pData,
        dbdatlen(m_dbproc, 5));

    if (pData=dbdata(m_dbproc, 6))
        UtilStrCpy(m_txn.Payment.w_city, pData,
        dbdatlen(m_dbproc, 6));

    if (pData=dbdata(m_dbproc, 7))
        UtilStrCpy(m_txn.Payment.w_state, pData,
        dbdatlen(m_dbproc, 7));

    if (pData=dbdata(m_dbproc, 8))
        UtilStrCpy(m_txn.Payment.w_zip, pData,
        dbdatlen(m_dbproc, 8));

    if (pData=dbdata(m_dbproc, 9))
        UtilStrCpy(m_txn.Payment.d_street_1, pData,
        dbdatlen(m_dbproc, 9));

    if (pData=dbdata(m_dbproc, 10))
        UtilStrCpy(m_txn.Payment.d_street_2, pData,
        dbdatlen(m_dbproc, 10));

    if (pData=dbdata(m_dbproc, 11))
        UtilStrCpy(m_txn.Payment.d_city, pData,
        dbdatlen(m_dbproc, 11));

    if (pData=dbdata(m_dbproc, 12))
        UtilStrCpy(m_txn.Payment.d_state, pData,
```

```
        if (pData=dbdata(m_dbproc, 13))
            UtilStrCpy(m_txn.Payment.d_zip, pData,
            dbdatlen(m_dbproc, 13));

        if (pData=dbdata(m_dbproc, 14))
            UtilStrCpy(m_txn.Payment.c_first, pData,
            dbdatlen(m_dbproc, 14));

        if (pData=dbdata(m_dbproc, 15))
            UtilStrCpy(m_txn.Payment.c_middle, pData,
            dbdatlen(m_dbproc, 15));

        if (pData=dbdata(m_dbproc, 16))
            UtilStrCpy(m_txn.Payment.c_street_1, pData,
            dbdatlen(m_dbproc, 16));

        if (pData=dbdata(m_dbproc, 17))
            UtilStrCpy(m_txn.Payment.c_street_2, pData,
            dbdatlen(m_dbproc, 17));

        if (pData=dbdata(m_dbproc, 18))
            UtilStrCpy(m_txn.Payment.c_city, pData,
            dbdatlen(m_dbproc, 18));

        if (pData=dbdata(m_dbproc, 19))
            UtilStrCpy(m_txn.Payment.c_state, pData,
            dbdatlen(m_dbproc, 19));

        if (pData=dbdata(m_dbproc, 20))
            UtilStrCpy(m_txn.Payment.c_zip, pData,
            dbdatlen(m_dbproc, 20));

        if (pData=dbdata(m_dbproc, 21))
            UtilStrCpy(m_txn.Payment.c_phone, pData,
            dbdatlen(m_dbproc, 21));

        if (pData=dbdata(m_dbproc, 22))
        {
            datetime = *((DBDATETIME *) pData);
            dbdatecrack(m_dbproc, &daterec, &datetime);
            m_txn.Payment.c_since.year = daterec.year;
            m_txn.Payment.c_since.month = daterec.month;
            m_txn.Payment.c_since.day = daterec.day;
            m_txn.Payment.c_since.hour = daterec.hour;
            m_txn.Payment.c_since.minute = daterec.minute;
            m_txn.Payment.c_since.second = daterec.second;
        }
        if (pData=dbdata(m_dbproc, 23))
            UtilStrCpy(m_txn.Payment.c_credit, pData,
            dbdatlen(m_dbproc, 23));

        if (pData=dbdata(m_dbproc, 24))
            dbconvert(m_dbproc, SQLNUMERIC, pData,
            dbdatlen(m_dbproc,24), SQLFLT8, (BYTE *)&m_txn.Payment.c_credit_lim, 8);
        if (pData=dbdata(m_dbproc, 25))
            dbconvert(m_dbproc, SQLNUMERIC, pData,
            dbdatlen(m_dbproc,25), SQLFLT8, (BYTE *)&m_txn.Payment.c_discount, 8);
        if (pData=dbdata(m_dbproc, 26))
            dbconvert(m_dbproc, SQLNUMERIC, pData,
            dbdatlen(m_dbproc,26), SQLFLT8, (BYTE *)&m_txn.Payment.c_balance, 8);
        if (pData=dbdata(m_dbproc, 27))
            UtilStrCpy(m_txn.Payment.c_data, pData,
            dbdatlen(m_dbproc, 27));

        DiscardNextRows(0);
        DiscardNextResults(0);

        if (m_txn.Payment.c_id == 0)
            throw new CTPCC_DBLIB_ERR(
            CTPCC_DBLIB_ERR::ERR_INVALID_CUST );
        else
            m_txn.Payment.exec_status_code = eOK;
```

Appendix A - Application Source Code

```
        return;
    }
    catch (CSQLERR *e)
    {
        if ((e->m_msgno != 1205) || (++iTryCount > iMaxRetries))
            throw;

        // hit deadlock; backoff for increasingly longer period
        delete e;
        Sleep(10 * iTryCount);
    }
    // while (TRUE)
}

void CTPCC_DBLIB::OrderStatus()
{
    int i;
    DBDATETIME datetime;
    DBDATEREC daterec;

    int iTryCount = 0;
    RETCODE rc;
    const BYTE *pData;

    ResetError();

    while (TRUE)
    {
        try
        {
            dbrpcinit(m_dbproc, "tpcc_orderstatus", 0);

            dbrpcparam(m_dbproc, NULL, 0, SQLINT2, -1, -1, (BYTE *)
&m_txn.OrderStatus.w_id);
            dbrpcparam(m_dbproc, NULL, 0, SQLINT1, -1, -1, (BYTE *)
&m_txn.OrderStatus.d_id);
            dbrpcparam(m_dbproc, NULL, 0, SQLINT4, -1, -1, (BYTE *)
&m_txn.OrderStatus.c_id);

            // if customer id is zero, then order status is by name
            if (m_txn.OrderStatus.c_id == 0)
                dbrpcparam(m_dbproc, NULL, 0, SQLCHAR, -1,
strlen(m_txn.OrderStatus.c_last), (unsigned char *)m_txn.OrderStatus.c_last);

            if (dbrpcexec(m_dbproc) == FAIL)
                ThrowError(CDBLIBERR::eDbRpcExec);

            // Get order lines
            if (dbresults(m_dbproc) != SUCCEED)
            {
                if ((m_DbLibErr == NULL) && (m_SqlErr == NULL))
                    throw new CTPCC_DBLIB_ERR(
CTPCC_DBLIB_ERR::ERR_NO_SUCH_ORDER );
                else
                    ThrowError(CDBLIBERR::eDbResults);
            }

            if (dbnumcols(m_dbproc) != 5)
                ThrowError(CDBLIBERR::eWrongNumCols);
        }
    }
}
```

```
        i = 0;
        while (TRUE)
        {
            rc = dbnextrow(m_dbproc);
            if (rc == NO_MORE_ROWS)
                break;
            if (rc != REG_ROW)
                ThrowError(CDBLIBERR::eDbNextRow);

            if (pData=dbdata(m_dbproc, 1))
                m_txn.OrderStatus.OL[i].ol_supply_w_id
= (*(DBSMALLINT *) pData);

            if (pData=dbdata(m_dbproc, 2))
                m_txn.OrderStatus.OL[i].ol_i_id =
(*(DBINT *) pData);

            if (pData=dbdata(m_dbproc, 3))
                m_txn.OrderStatus.OL[i].ol_quantity =
(*(DBSMALLINT *) pData);

            if (pData=dbdata(m_dbproc, 4))
                dbconvert(m_dbproc, SQLNUMERIC, pData,
SQLFLT8, (BYTE
*)&m_txn.OrderStatus.OL[i].ol_amount, 8);

            if (pData=dbdata(m_dbproc, 5))
            {
                datetime = *((DBDATETIME *) pData);
                dbdatecrack(m_dbproc, &daterec,
&datetime);

                m_txn.OrderStatus.OL[i].ol_delivery_d.year = daterec.year;
                m_txn.OrderStatus.OL[i].ol_delivery_d.month = daterec.month;
                m_txn.OrderStatus.OL[i].ol_delivery_d.day = daterec.day;
                m_txn.OrderStatus.OL[i].ol_delivery_d.hour = daterec.hour;
                m_txn.OrderStatus.OL[i].ol_delivery_d.minute = daterec.minute;
                m_txn.OrderStatus.OL[i].ol_delivery_d.second = daterec.second;
            }
            i++;
            m_txn.OrderStatus.o_ol_cnt = i;

            if (dbresults(m_dbproc) != SUCCEED)
                ThrowError(CDBLIBERR::eDbResults);

            if (dbnextrow(m_dbproc) != REG_ROW)
                ThrowError(CDBLIBERR::eDbNextRow);

            if (dbnumcols(m_dbproc) != 8)
                ThrowError(CDBLIBERR::eWrongNumCols);

            if (pData=dbdata(m_dbproc, 1))
                m_txn.OrderStatus.c_id = (*(DBINT *) pData);
            if (pData=dbdata(m_dbproc, 2))
                UtilStrCpy(m_txn.OrderStatus.c_last, pData,
dbdatlen(m_dbproc,2));

            if (pData=dbdata(m_dbproc, 3))
```

Appendix A - Application Source Code

```
        UtilStrCpy(m_txn.OrderStatus.c_first, pData,
dbdatlen(m_dbproc,3));
        if(pData=dbdata(m_dbproc, 4))
            UtilStrCpy(m_txn.OrderStatus.c_middle, pData,
dbdatlen(m_dbproc, 4));
        if(pData=dbdata(m_dbproc, 5))
        {
            datetime = *((DBDATETIME *) pData);
            dbdatecrack(m_dbproc, &daterec, &datetime);
            m_txn.OrderStatus.o_entry_d.year =
            m_txn.OrderStatus.o_entry_d.month =
            m_txn.OrderStatus.o_entry_d.day = daterec.day;
            m_txn.OrderStatus.o_entry_d.hour =
            m_txn.OrderStatus.o_entry_d.minute =
            m_txn.OrderStatus.o_entry_d.second =
        }
        if(pData=dbdata(m_dbproc, 6))
            m_txn.OrderStatus.o_carrier_id = *(DBSMALLINT *)
        if(pData=dbdata(m_dbproc, 7))
            dbconvert(m_dbproc, SQLNUMERIC, pData,
                SQLFLT8, (BYTE
dbdatlen(m_dbproc,7),
*)&m_txn.OrderStatus.c_balance, 8);
        if(pData=dbdata(m_dbproc, 8))
            m_txn.OrderStatus.o_id = *(DBINT *) pData);

        DiscardNextRows(0);
        DiscardNextResults(0);

        if (m_txn.OrderStatus.o_ol_cnt == 0)
            throw new CTPCC_DBLIB_ERR(
CTPCC_DBLIB_ERR::ERR_NO_SUCH_ORDER );
        else if (m_txn.OrderStatus.c_id == 0 &&
m_txn.OrderStatus.c_last[0] == 0)
            throw new CTPCC_DBLIB_ERR(
CTPCC_DBLIB_ERR::ERR_INVALID_CUST );
        else
            m_txn.OrderStatus.exec_status_code = eOK;

        return;
    }
    catch (CSQLERR *e)
    {
        if ((e->m_msgno != 1205) || (++iTryCount > iMaxRetries))
            throw;

        // hit deadlock; backoff for increasingly longer period
        delete e;
        Sleep(10 * iTryCount);
    }
}
// while (TRUE)

void CTPCC_DBLIB::Delivery()
{
```

```
        int
        int
        const BYTE
        *pData;

        ResetError();

        while (TRUE)
        {
            try
            {
                dbrpcinit(m_dbproc, "tpcc_delivery", 0);
                dbrpcparam(m_dbproc, NULL, 0, SQLINT2, -1, -1, (BYTE *)
&m_txn.Delivery.w_id);
                dbrpcparam(m_dbproc, NULL, 0, SQLINT1, -1, -1, (BYTE *)
&m_txn.Delivery.o_carrier_id);

                if (dbrpcexec(m_dbproc) == FAIL)
                    ThrowError(CDBLIBERR::eDbRpcExec);

                if (dbresults(m_dbproc) != SUCCEEDED)
                    ThrowError(CDBLIBERR::eDbResults);

                if (dbnextrow(m_dbproc) != REG_ROW)
                    ThrowError(CDBLIBERR::eDbNextRow);

                if (dbnumcols(m_dbproc) != 10)
                    ThrowError(CDBLIBERR::eWrongNumCols);

                for (i=0; i<10; i++)
                {
                    if (pData = dbdata(m_dbproc, i+1))
                        m_txn.Delivery.o_id[i] = *(DBINT
*)pData);
                }

                DiscardNextRows(0);
                DiscardNextResults(0);

                m_txn.Delivery.exec_status_code = eOK;
                return;
            }
            catch (CSQLERR *e)
            {
                if ((e->m_msgno != 1205) || (++iTryCount > iMaxRetries))
                    throw;

                // hit deadlock; backoff for increasingly longer period
                delete e;
                Sleep(10 * iTryCount);
            }
        }
        // while (TRUE)

    }

void CTPCC_DBLIB::ResetError()
{
    if (m_DbLibErr != NULL)
    {
        delete m_DbLibErr;
        m_DbLibErr = (CDBLIBERR*)NULL;
    }

    if (m_SqlErr != NULL)
```

Appendix A - Application Source Code

```
{
    delete m_SqlErr;
    m_SqlErr = (CSQLERR*)NULL;
}
return;
}
```

db_dblib_dll/src/tpcc_dblib.h

```
/* FILE: TPCC_DBLIB.H
 * Microsoft TPC-C Kit Ver. 4.20.000
 * Copyright Microsoft, 1999
 * All Rights Reserved
 *
 * Version 4.10.000 audited by Richard Gimarc,
 * Performance Metrics, 3/17/99
 *
 * PURPOSE: Header file for TPC-C txn class implementation.
 *
 * Change history:
 * 4.20.000 - updated rev number to match kit
 */
#pragma once

#ifndef PDBPROCESS
#define DBPROCESS void // dbprocess structure type
typedef DBPROCESS * PDBPROCESS;
#endif

// need to declare functions for import, unless define has already been created
// by the DLL's .cpp module for export.
#ifndef DllDecl
#define DllDecl __declspec( dllimport )
#endif

class CSQLERR : public CBaseErr
{
public:
    CSQLERR(void)
    {
        m_msgno = 0;
        m_msgstate = 0;
        m_severity = 0;
        m_msgtext = NULL;
    };

    ~CSQLERR()
    {
        delete [] m_msgtext;
    };

    int m_msgno;
    int m_msgstate;
    int m_severity;
    char *m_msgtext;

    int ErrorType() {return ERR_TYPE_SQL;};
    int ErrorNum() {return m_msgno;};
};
```

```
char *ErrorText() {return m_msgtext;};
};

class CDBLIBERR : public CBaseErr
{
public:
    enum ACTION
    {
        eNone,
        eUnknown,
        eLogin, // error from
        eDbOpen, // error from dbopen
        eDbUse, // error from dbuse
        eDbSqlExec, // error from
        eDbSet, // error from one
        eDbNextRow, // error from
        eWrongRowCount, // more or less rows returned
        eWrongNumCols, // more or less columns
        eDbResults, // error from
        eDbRpcExec, // error from
        eDbSetMaxProcs, // error from dbsetmaxprocs
        eDbProcHandler // error from either
    };

    dblogin
    dbsqlxec
    of the dbset* routines
    dbnextrow
    than expected
    returned than expected
    dbresults
    dbrpcexec
    dbprocerrhandle or dbprocmsghandle
    };

    CDBLIBERR(ACTION eAction, int severity = 0, int dberror = 0, int
    oserr = 0)
    {
        m_eAction = eAction;
        m_severity = severity;
        m_dberror = dberror;
        m_oserr = oserr;

        m_dberrstr = NULL;
        m_oserrstr = NULL;
    };

    ~CDBLIBERR()
    {
        delete [] m_dberrstr;
        delete [] m_oserrstr;
    };

    ACTION m_eAction;
    int m_severity;
    int m_dberror;
    int m_oserr;
    char *m_dberrstr;
    char *m_oserrstr;

    int ErrorType() {return ERR_TYPE_DBLIB;};
    int ErrorNum() {return m_dberror;};
    char *ErrorText() {return m_dberrstr;};
};
```

Appendix A - Application Source Code

```
};

class CTPCC_DBLIB_ERR : public CBaseErr
{
public:
    enum CTPCC_DBLIB_ERRS
    {
        ERR_WRONG_SP_VERSION = 1, // "Wrong version of stored
procs on database server"
        ERR_INVALID_CUST, // "Invalid
Customer id,name."
        ERR_NO_SUCH_ORDER // "No orders found
for customer."
    };

    CTPCC_DBLIB_ERR( int iErr ) { m_errno = iErr; };

    int m_errno;

    int ErrorType() {return ERR_TYPE_TPCC_DBLIB;};
    int ErrorNum() {return m_errno;};

    char *ErrorText();
};

class DllDecl CTPCC_DBLIB : public CTPCC_BASE
{
private:
    // declare variables and private functions here...
    PDBPROCESS m_dbproc;
    CDBLIBERR *m_DbLibErr; // not allocated until needed
(maybe never)
    CSQLErr *m_SqlErr; // not
allocated until needed (maybe never)
    int m_MaxRetries; // retry
count on deadlock

    void DiscardNextRows(int iExpectedCount);
    void DiscardNextResults(int iExpectedCount);
    void ThrowError( CDBLIBERR::ACTION eAction );
    void ResetError();

    union
    {
        NEW_ORDER_DATA NewOrder;
        PAYMENT_DATA Payment;
        DELIVERY_DATA Delivery;
        STOCK_LEVEL_DATA StockLevel;
        ORDER_STATUS_DATA OrderStatus;
        m_txn;
    }

public:
    CTPCC_DBLIB(LPCSTR szServer, LPCSTR szUser, LPCSTR szPassword, LPCSTR
szHost, LPCSTR szDatabase );
    ~CTPCC_DBLIB(void);

    inline PNEW_ORDER_DATA BuffAddr_NewOrder()
    { return &m_txn.NewOrder; };
    inline PPAYMENT_DATA BuffAddr_Payment()
    { return &m_txn.Payment; };
    inline PDELIVERY_DATA BuffAddr_Delivery()
    { return &m_txn.Delivery; };
};
```

```
inline PSTOCK_LEVEL_DATA BuffAddr_StockLevel() { return
&m_txn.StockLevel; };
inline PORDER_STATUS_DATA BuffAddr_OrderStatus() { return
&m_txn.OrderStatus; };

void NewOrder ();
void Payment ();
void Delivery ();
void StockLevel ();
void OrderStatus ();

// these are public because they must be called from the dblib
err_handler and msg_hangler
// outside of the class
void SetDbLibError(int severity, int dberr, int oserr, LPCSTR
dberrstr, LPCSTR oserrstr);
void SetSqlError( int msgno, int msgstate, int severity, LPCSTR
msgtext );
};

extern "C" DllDecl CTPCC_DBLIB* CTPCC_DBLIB_new
( LPCSTR szServer, LPCSTR szUser, LPCSTR szPassword, LPCSTR szHost, LPCSTR
szDatabase );

typedef CTPCC_DBLIB* (TYPE_CTPCC_DBLIB)(LPCSTR, LPCSTR, LPCSTR, LPCSTR, LPCSTR);
```

tm_com_dll/src/tpcc_com.cpp

```
/* FILE: TPCC_COM.CPP
 * Microsoft TPC-C Kit Ver. 4.20.000
 * Copyright Microsoft, 1999
 * All Rights Reserved
 * not yet audited
 * PURPOSE: Source file for TPC-C COM+ class implementation.
 * Contact: Charles Levine (clevine@microsoft.com)
 * Change history:
 * 4.20.000 - first version
 */

// needed for CoinitializeEx
#define _WIN32_WINNT 0x0400

#include <windows.h>

// need to declare functions for export
#define DllDecl __declspec( dllexport )

#include "..\..\common\src\trans.h" //tpckit transaction header contains
definitions of structures specific to TPC-C
#include "..\..\common\src\error.h"
#include "..\..\common\src\txn_base.h"
#include "tpcc_com.h"

#include "..\..\tpcc_com_ps\src\tpcc_com_ps_i.c"
```

Appendix A - Application Source Code

```
#include "..\..\tpcc_com_all\src\tpcc_com_all.i.c"

// wrapper routine for class constructor
_declspec(dllexport) CTPCC_COM* CTPCC_COM_new(BOOL bSinglePool)
{
    return new CTPCC_COM(bSinglePool);
}

CTPCC_COM::CTPCC_COM(BOOL bSinglePool)
{
    HRESULT hr = NULL;
    long lRet = 0;
    ULONG ulTmpSize = 0;

    m_pTxn = NULL;
    m_pNewOrder = NULL;
    m_pPayment = NULL;
    m_pStockLevel = NULL;
    m_pOrderStatus = NULL;

    m_bSinglePool = bSinglePool;

    ulTmpSize = (ULONG) sizeof(COM_DATA);
    VariantInit(&m_vTxn);
    m_vTxn.vt = VT_SAFEARRAY;

    m_vTxn.parray = SafeArrayCreateVector(VT_UI1, ulTmpSize, ulTmpSize);
    if (!m_vTxn.parray)
        throw new CCOMERR( E_FAIL );

    memset((void*)m_vTxn.parray->pvData, 0, ulTmpSize);
    m_pTxn = (COM_DATA*)m_vTxn.parray->pvData;

    hr = CoInitializeEx(NULL, COINIT_MULTITHREADED);
    if (FAILED(hr))
    {
        throw new CCOMERR( hr );
    }

    // create components
    if (m_bSinglePool)
    {
        hr = CoCreateInstance(CLSID_TPCC, NULL, CLSCTX_SERVER, IID_ITPCC,
        (void **)&m_pNewOrder);
        if (FAILED(hr))
            throw new CCOMERR(hr);

        // all txns will use same component
        m_pPayment = m_pNewOrder;
        m_pStockLevel = m_pNewOrder;
        m_pOrderStatus = m_pNewOrder;
    }
    else
    {
        // use different components for each txn

        hr = CoCreateInstance(CLSID_NewOrder, NULL, CLSCTX_SERVER, IID_ITPCC,
        (void **)&m_pNewOrder);
        if (FAILED(hr))
            throw new CCOMERR(hr);

        hr = CoCreateInstance(CLSID_Payment, NULL, CLSCTX_SERVER, IID_ITPCC,
        (void **)&m_pPayment);
```

```
        if (FAILED(hr))
            throw new CCOMERR(hr);

        hr = CoCreateInstance(CLSID_StockLevel, NULL, CLSCTX_SERVER,
        IID_ITPCC, (void **)&m_pStockLevel);
        if (FAILED(hr))
            throw new CCOMERR(hr);

        hr = CoCreateInstance(CLSID_OrderStatus, NULL, CLSCTX_SERVER,
        IID_ITPCC, (void **)&m_pOrderStatus);
        if (FAILED(hr))
            throw new CCOMERR(hr);
    }

    // call setcomplete to release each component back into pool
    hr = m_pNewOrder->CallSetComplete();
    if (FAILED(hr))
        throw new CCOMERR(hr);

    if (!m_bSinglePool)
    {
        hr = m_pPayment->CallSetComplete();
        if (FAILED(hr))
            throw new CCOMERR(hr);

        hr = m_pStockLevel->CallSetComplete();
        if (FAILED(hr))
            throw new CCOMERR(hr);

        hr = m_pOrderStatus->CallSetComplete();
        if (FAILED(hr))
            throw new CCOMERR(hr);
    }
}

CTPCC_COM::~CTPCC_COM()
{
    if (m_pTxn)
        SafeArrayDestroy(m_vTxn.parray);

    ReleaseInterface(m_pNewOrder);
    if (!m_bSinglePool)
    {
        ReleaseInterface(m_pPayment);
        ReleaseInterface(m_pStockLevel);
        ReleaseInterface(m_pOrderStatus);
    }
    CoUninitialize();
}

void CTPCC_COM::NewOrder()
{
    VARIANT vTxn_out;

    HRESULT hr = m_pNewOrder->NewOrder(m_vTxn, &vTxn_out);
    if (FAILED(hr))
        throw new CCOMERR( hr );

    memcpy(m_pTxn, (void *)vTxn_out.parray->pvData, vTxn_out.parray->rgsabound[0].cElements);
    SafeArrayDestroy(vTxn_out.parray);

    if ( m_pTxn->ErrorType != ERR_SUCCESS )
        throw new CCOMERR( m_pTxn->ErrorType, m_pTxn->error );
```

Appendix A - Application Source Code

```
}
void CTPCC_COM::Payment()
{
    VARIANT vTxn_out;

    HRESULT hr = m_pPayment->Payment(m_vTxn, &vTxn_out);
    if (FAILED(hr))
        throw new CCOMERR( hr );
    memcpy(m_pTxn, (void *)vTxn_out.parray->pvData, vTxn_out.parray->rgsabound[0].cElements);
    SafeArrayDestroy(vTxn_out.parray);

    if ( m_pTxn->ErrorType != ERR_SUCCESS )
        throw new CCOMERR( m_pTxn->ErrorType, m_pTxn->error );
}

void CTPCC_COM::StockLevel()
{
    VARIANT vTxn_out;

    HRESULT hr = m_pStockLevel->StockLevel(m_vTxn, &vTxn_out);
    if (FAILED(hr))
        throw new CCOMERR( hr );
    memcpy(m_pTxn, (void *)vTxn_out.parray->pvData, vTxn_out.parray->rgsabound[0].cElements);
    SafeArrayDestroy(vTxn_out.parray);

    if ( m_pTxn->ErrorType != ERR_SUCCESS )
        throw new CCOMERR( m_pTxn->ErrorType, m_pTxn->error );
}

void CTPCC_COM::OrderStatus()
{
    VARIANT vTxn_out;

    HRESULT hr = m_pOrderStatus->OrderStatus(m_vTxn, &vTxn_out);
    if (FAILED(hr))
        throw new CCOMERR( hr );
    memcpy(m_pTxn, (void *)vTxn_out.parray->pvData, vTxn_out.parray->rgsabound[0].cElements);
    SafeArrayDestroy(vTxn_out.parray);

    if ( m_pTxn->ErrorType != ERR_SUCCESS )
        throw new CCOMERR( m_pTxn->ErrorType, m_pTxn->error );
}
```

tm_com_dll/src/tpcc_com.h

```
/* FILE: TPCC_COM.H
 * Microsoft TPC-C Kit Ver. 4.20.000
 * Copyright Microsoft, 1999
 * All Rights Reserved
 * not yet audited
 * PURPOSE: Header file for TPC-C COM+ class implementation.
 * Change history:
```

```
* 4.20.000 - first version
*/
#pragma once
#include <stdio.h>
#include "..\..\tpcc_com_ps\src\tpcc_com_ps.h"

// need to declare functions for import, unless define has already been created
// by the DLL's .cpp module for export.
#ifdef DllDecl
#define DllDecl __declspec( dllimport )
#endif

class CCOMERR : public CBaseErr
{
private:
    char m_szErrorText[64];

public:
    // use this interface for genuine COM errors
    CCOMERR( HRESULT hr )
    {
        m_hr = hr;
        m_iErrorType = 0;
        m_iError = 0;
    }

    // use this interface to impersonate a non-COM error type
    CCOMERR( int iErrorType, int iError )
    {
        m_iErrorType = iErrorType;
        m_iError = iError;
        m_hr = S_OK;
    }

    int m_hr;
    int m_iErrorType;
    int m_iError;

    // A CCOMERR class can impersonate another class, which happens if
    // the error // was not actually a COM Services error, but was simply transmitted
    // back via COM.
    int ErrorType()
    {
        if (m_iErrorType == 0)
            return ERR_TYPE_COM;
        else
            return m_iErrorType;
    }

    int ErrorNum() {return m_hr;}

    char *ErrorText()
    {
        if (m_hr == S_OK)
            sprintf( m_szErrorText, "Error: Class %d, error #
%d", m_iErrorType, m_iError );
        else
            sprintf( m_szErrorText, "Error: COM HRESULT %x",
m_hr );
        return m_szErrorText;
    }
}
```

Appendix A - Application Source Code

```
};
}
class DllDecl CTPCC_COM : public CTPCC_BASE
{
private:
    BOOL m_bSinglePool;

    // COM Interface pointers
    ITPCC* m_pNewOrder;
    ITPCC* m_pPayment;
    ITPCC* m_pStockLevel;
    ITPCC* m_pOrderStatus;

    struct COM_DATA
    {
        int ErrorType;
        int error;
        union
        {
            NEW_ORDER_DATA NewOrder;
            PAYMENT_DATA Payment;
            DELIVERY_DATA Delivery;
            STOCK_LEVEL_DATA StockLevel;
            ORDER_STATUS_DATA OrderStatus;
        } u;
    } *m_pTxn;

public:
    VARIANT m_vTxn;

    CTPCC_COM(BOOL bSinglePool);
    ~CTPCC_COM(void);

    inline PNEW_ORDER_DATA BuffAddr_NewOrder();
    { return &m_pTxn->u.NewOrder; };
    inline PPAYMENT_DATA BuffAddr_Payment();
    { return &m_pTxn->u.Payment; };
    inline PDELIVERY_DATA BuffAddr_Delivery();
    { return &m_pTxn->u.Delivery; };
    inline PSTOCK_LEVEL_DATA BuffAddr_StockLevel() { return
&m_pTxn->u.StockLevel; };
    inline PORDER_STATUS_DATA BuffAddr_OrderStatus() { return
&m_pTxn->u.OrderStatus; };

    void NewOrder ();
    void Payment ();
    void StockLevel ();
    void OrderStatus ();
    void Delivery () { throw new CCOMERR(E_NOTIMPL); }

// not supported
};

inline void ReleaseInterface(IUnknown *pUnk)
{
    if (pUnk)
    {
        pUnk->Release();
        pUnk = NULL;
    }
}
```

```
// wrapper routine for class constructor
extern "C" __declspec(dllexport) CTPCC_COM* CTPCC_COM_new(BOOL);
typedef CTPCC_COM* (TYPE_CTPCC_COM)(BOOL);
```

tpcc_com_all/src/methods.h

```
/* FILE: METHODS.H
 * Microsoft TPC-C Kit Ver. 4.20.000
 * Copyright Microsoft, 1999
 * All Rights Reserved
 *
 * not yet audited
 *
 * PURPOSE: Header file for COM components.
 *
 * Change history:
 * 4.20.000 - first version
 */
```

```
enum COMPONENT_ERROR
{
    ERR_MISSING_REGISTRY_ENTRIES = 1,
    ERR_LOADDLL_FAILED,
    ERR_GETPROCADDR_FAILED,
    ERR_UNKNOWN_DB_PROTOCOL
};

class CCOMPONENT_ERR : public CBaseErr
{
public:
    CCOMPONENT_ERR(COMPONENT_ERROR Err)
    {
        m_Error = Err;
        m_szTextDetail = NULL;
        m_SystemErr = 0;
        m_szErrorText = NULL;
    };

    CCOMPONENT_ERR(COMPONENT_ERROR Err, char
*szTextDetail, DWORD dwSystemErr)
    {
        m_Error = Err;
        m_szTextDetail = new
char[strlen(szTextDetail)+1];
```


Appendix A - Application Source Code

```
        strcpy( m_szTextDetail, szTextDetail );
        m_SystemErr = dwSystemErr;
        m_szErrorText = NULL;
    };

~CCOMPONENT_ERR()
{
    if ( m_szTextDetail != NULL)
        delete [] m_szTextDetail;
    if ( m_szErrorText != NULL)
        delete [] m_szErrorText;
};

COMPONENT_ERROR      m_Error;
char                  *m_szTextDetail;
char                  *m_szErrorText;
DWORD                 m_SystemErr;

int ErrorType() {return ERR_TYPE_COMPONENT;};
int ErrorNum() {return m_Error;};
char *ErrorText();
};

static void WriteMessageToEventLog(LPTSTR lpszMsg);

////////////////////////////////////////////////////////////////////////////////////////////////////////////////////////////////
////////////////////////////////////////////////////////////////
// CTPCC_Common
class CTPCC_Common :
    public ITPCC,
    public IObjectControl,
    public IObjectConstruct,
    public CComObjectRootEx<CComSingleThreadModel>
{
public:
    BEGIN_COM_MAP(CTPCC_Common)
        COM_INTERFACE_ENTRY(ITPCC)
        COM_INTERFACE_ENTRY(IObjectControl)
        COM_INTERFACE_ENTRY(IObjectConstruct)
    END_COM_MAP()

    CTPCC_Common();
    ~CTPCC_Common();

// ITPCC
```

```
public:
    HRESULT __stdcall NewOrder(          VARIANT txn_in,
    VARIANT* txn_out);
    HRESULT __stdcall Payment(          VARIANT txn_in,
    VARIANT* txn_out);
    HRESULT __stdcall Delivery(         VARIANT txn_in,
    VARIANT* txn_out) {return E_NOTIMPL;};
    HRESULT __stdcall StockLevel(       VARIANT txn_in, VARIANT*
    txn_out);
    HRESULT __stdcall OrderStatus(      VARIANT txn_in,
    VARIANT* txn_out);

    HRESULT __stdcall CallSetComplete();

// IObjectControl
    STDMETHODCALLTYPE CanBePooled() { return m_bCanBePooled;
}
    STDMETHODCALLTYPE Activate() { return S_OK; } // we don't
support COM Services transactions (no enlistment)
    STDMETHODCALLTYPE Deactivate() { /* nothing to do */ }

// IObjectConstruct
    STDMETHODCALLTYPE Construct(IDispatch * pUnk);

// helper methods
private:
    BOOL                m_bCanBePooled;
    CTPCC_BASE          *m_pTxn;

    struct COM_DATA
    {
        int retval;
        int error;
        union
        {
            NEW_ORDER_DATA      NewOrder;
            PAYMENT_DATA         Payment;
            DELIVERY_DATA        Delivery;
            STOCK_LEVEL_DATA     StockLevel;
            ORDER_STATUS_DATA    OrderStatus;
        } u;
    };
};

////////////////////////////////////////////////////////////////////////////////////////////////////////////////////////////////
////////////////////////////////////////////////////////////////
```

Appendix A - Application Source Code

```
// CTPCC
class CTPCC :
    public CTPCC_Common,
    public CComCoClass<CTPCC, &CLSID_TPCC>
{
public:
DECLARE_REGISTRY_RESOURCEID(IDR_TPCC)

BEGIN_COM_MAP(CTPCC)
    COM_INTERFACE_ENTRY2(IUnknown, CComObjectRootEx)
    COM_INTERFACE_ENTRY_CHAIN(CTPCC_Common)
END_COM_MAP()

};

////////////////////////////////////
////////////////////////////////////
// CNewOrder
class CNewOrder :
    public CTPCC_Common,
    public CComCoClass<CNewOrder, &CLSID_NewOrder>
{
public:
DECLARE_REGISTRY_RESOURCEID(IDR_NEWORDER)

BEGIN_COM_MAP(CNewOrder)
    COM_INTERFACE_ENTRY2(IUnknown, CComObjectRootEx)
    COM_INTERFACE_ENTRY_CHAIN(CTPCC_Common)
END_COM_MAP()

// ITPCC
public:
// HRESULT __stdcall NewOrder(          VARIANT txn_in,
VARIANT* txn_out) {return E_NOTIMPL;}
    HRESULT __stdcall Payment(          VARIANT txn_in,
VARIANT* txn_out) {return E_NOTIMPL;}
    HRESULT __stdcall StockLevel( VARIANT txn_in, VARIANT*
txn_out) {return E_NOTIMPL;}
    HRESULT __stdcall OrderStatus(      VARIANT txn_in,
VARIANT* txn_out) {return E_NOTIMPL;}
};

////////////////////////////////////
////////////////////////////////////
// COrderStatus
```

```
class COrderStatus :
    public CTPCC_Common,
    public CComCoClass<COrderStatus, &CLSID_OrderStatus>
{
public:
DECLARE_REGISTRY_RESOURCEID(IDR_ORDERSTATUS)

BEGIN_COM_MAP(COrderStatus)
    COM_INTERFACE_ENTRY2(IUnknown, CComObjectRootEx)
    COM_INTERFACE_ENTRY_CHAIN(CTPCC_Common)
END_COM_MAP()

// ITPCC
public:
    HRESULT __stdcall NewOrder(          VARIANT txn_in,
VARIANT* txn_out) {return E_NOTIMPL;}
    HRESULT __stdcall Payment(          VARIANT txn_in,
VARIANT* txn_out) {return E_NOTIMPL;}
    HRESULT __stdcall StockLevel( VARIANT txn_in, VARIANT*
txn_out) {return E_NOTIMPL;}
// HRESULT __stdcall OrderStatus(      VARIANT txn_in,
VARIANT* txn_out) {return E_NOTIMPL;}
};

////////////////////////////////////
////////////////////////////////////
// CPayment
class CPayment :
    public CTPCC_Common,
    public CComCoClass<CPayment, &CLSID_Payment>
{
public:
DECLARE_REGISTRY_RESOURCEID(IDR_PAYMENT)

BEGIN_COM_MAP(CPayment)
    COM_INTERFACE_ENTRY2(IUnknown, CComObjectRootEx)
    COM_INTERFACE_ENTRY_CHAIN(CTPCC_Common)
END_COM_MAP()

// ITPCC
public:
    HRESULT __stdcall NewOrder(          VARIANT txn_in,
VARIANT* txn_out) {return E_NOTIMPL;}
// HRESULT __stdcall Payment(          VARIANT txn_in,
VARIANT* txn_out) {return E_NOTIMPL;}
};
```

Appendix A - Application Source Code

```
        HRESULT __stdcall StockLevel( VARIANT txn_in, VARIANT*
txn_out) {return E_NOTIMPL;}
        HRESULT __stdcall OrderStatus(          VARIANT txn_in,
VARIANT* txn_out) {return E_NOTIMPL;}
};

////////////////////////////////////
////////////////////////////////////
// CStockLevel
class CStockLevel :
    public CTPCC_Common,
    public CComCoClass<CStockLevel, &CLSID_StockLevel>
{
public:
DECLARE_REGISTRY_RESOURCEID( IDR_STOCKLEVEL)

BEGIN_COM_MAP(CStockLevel)
    COM_INTERFACE_ENTRY2(IUnknown, CComObjectRootEx)
    COM_INTERFACE_ENTRY_CHAIN(CTPCC_Common)
END_COM_MAP()

// ITPCC
public:
    HRESULT __stdcall NewOrder(          VARIANT txn_in,
VARIANT* txn_out) {return E_NOTIMPL;}
    HRESULT __stdcall Payment(          VARIANT txn_in,
VARIANT* txn_out) {return E_NOTIMPL;}
    // HRESULT __stdcall StockLevel( VARIANT txn_in, VARIANT*
txn_out) {return E_NOTIMPL;}
    HRESULT __stdcall OrderStatus(          VARIANT txn_in,
VARIANT* txn_out) {return E_NOTIMPL;}
};
```

tpcc_com_all/src/resource.h

```
//{{NO_DEPENDENCIES}}
// Microsoft Developer Studio generated include file.
// Used by tpcc_com_all.rc
//
#define IDS_PROJNAME                100
#define IDR_TPCC                    101
#define IDR_NEWORDER                102
#define IDR_ORDERSTATUS             103
#define IDR_PAYMENT                 104
#define IDR_STOCKLEVEL              105
```

```
// Next default values for new objects
//
#ifdef APSTUDIO_INVOKED
#ifdef APSTUDIO_READONLY_SYMBOLS
#define _APS_NEXT_RESOURCE_VALUE        202
#define _APS_NEXT_COMMAND_VALUE        32768
#define _APS_NEXT_CONTROL_VALUE        201
#define _APS_NEXT_SYMED_VALUE          106
#endif
#endif
```

tpcc_com_all/src/tpcc_com_all.cpp

```
/*      FILE:                TPC_C_COM_ALL.CPP
 *      Microsoft TPC-C Kit Ver. 4.20.000
 *      Copyright Microsoft, 1999
 *
 *      All Rights Reserved
 *
 *      Version 4.10.000 audited by Richard Gimarc,
Performance Metrics, 3/17/99
 *
 *      PURPOSE:  Implementation for TPC-C Tuxedo class.
 *      Contact:  Charles Levine (clevine@microsoft.com)
 *
 *      Change history:
 *      4.20.000 - updated rev number to match kit
 */

#define STRICT
#define _WIN32_WINNT 0x0400
#define _ATL_APARTMENT_THREADED

#include <stdio.h>
#include <atlbase.h>
//You may derive a class from CComModule and use it if you want to override
//something, but do not change the name of _Module
extern CComModule _Module;

#include <atlcom.h>
#include <initguid.h>
#include <transact.h>
#include <atlimpl.cpp>
#include <comsvcs.h>

#include <sqltypes.h>
#include <sql.h>
#include <sqlext.h>

#include "tpcc_com_ps.h"
#include "..\..\common\src\trans.h" //tpckit
transaction header contains definations of structures specific to TPC-C
#include "..\..\common\src\txn_base.h"
#include "..\..\common\src\error.h"
#include "..\..\common\src\ReadRegistry.h"
#include "..\..\db_dblib_dll\src\tpcc_dblib.h" // DBLIB implementation of
TPC-C txns
#include "..\..\db_odbc_dll\src\tpcc_odbc.h" // ODBC implementation of
TPC-C txns
```

Appendix A - Application Source Code

```
#include "resource.h"
#include "tpcc_com_all.h"
#include "tpcc_com_all_i.c"
#include "Methods.h"
#include "..\..\tpcc_com_ps\src\tpcc_com_ps_i.c"
#include "..\..\common\src\ReadRegistry.cpp"

CComModule _Module;

BEGIN_OBJECT_MAP(ObjectMap)
    OBJECT_ENTRY(CLSID_TPCC, CTPCC)
    OBJECT_ENTRY(CLSID_NewOrder, CNewOrder)
    OBJECT_ENTRY(CLSID_OrderStatus, COrderStatus)
    OBJECT_ENTRY(CLSID_Payment, CPayment)
    OBJECT_ENTRY(CLSID_StockLevel, CStockLevel)
END_OBJECT_MAP()

// configuration settings from registry
TPCCREGISTRYDATA Reg;
char szMyComputerName[MAX_COMPUTERNAME_LENGTH+1];

static HINSTANCE hLibInstanceDb = NULL;

TYPE_CTPCC_DBLIB *pCTPCC_DBLIB_new;
TYPE_CTPCC_ODBC *pCTPCC_ODBC_new;

////////////////////////////////////
// DLL Entry Point

extern "C"
BOOL WINAPI DllMain(HINSTANCE hInstance, DWORD dwReason, LPVOID /*lpReserved*/)
{
    char szDllName[128];

    try
    {
        if (dwReason == DLL_PROCESS_ATTACH)
        {
            _Module.Init(ObjectMap, hInstance);
            DisableThreadLibraryCalls(hInstance);

            DWORD dwSize = MAX_COMPUTERNAME_LENGTH+1;
            GetComputerName(szMyComputerName, &dwSize);
            szMyComputerName[dwSize] = 0;

            if ( ReadTPCCRegistrySettings( &Reg ) )
                throw new CCOMPONENT_ERR(
ERR_MISSING_REGISTRY_ENTRIES );

            if (Reg.eDB_Protocol == DBLIB)
            {
                strcpy( szDllName, Reg.szPath );
                strcat( szDllName, "tpcc_dblib.dll");
                hLibInstanceDb = LoadLibrary( szDllName );
                if (hLibInstanceDb == NULL)
                    throw new CCOMPONENT_ERR(
ERR_LOADDLL_FAILED, szDllName, GetLastError() );
            }

            // get function pointer to wrapper for class
            constructor
                pCTPCC_DBLIB_new = (TYPE_CTPCC_DBLIB*)
                GetProcAddress(hLibInstanceDb, "CTPCC_DBLIB_new");
                if (pCTPCC_DBLIB_new == NULL)
                    throw new CCOMPONENT_ERR(
ERR_GETPROCADDR_FAILED, szDllName, GetLastError() );
            else if (Reg.eDB_Protocol == ODBC)
            {
                strcpy( szDllName, Reg.szPath );
                strcat( szDllName, "tpcc_odbc.dll");
                hLibInstanceDb = LoadLibrary( szDllName );
                if (hLibInstanceDb == NULL)
                    throw new CCOMPONENT_ERR(
ERR_LOADDLL_FAILED, szDllName, GetLastError() );

                // get function pointer to wrapper for class
                constructor
                    pCTPCC_ODBC_new = (TYPE_CTPCC_ODBC*)
                    GetProcAddress(hLibInstanceDb, "CTPCC_ODBC_new");
                    if (pCTPCC_ODBC_new == NULL)
                        throw new CCOMPONENT_ERR(
ERR_GETPROCADDR_FAILED, szDllName, GetLastError() );
            }
            else
                throw new CCOMPONENT_ERR( ERR_UNKNOWN_DB_PROTOCOL
);
        }
        else if (dwReason == DLL_PROCESS_DETACH)
            _Module.Term();
    }
    catch (CBaseErr *e)
    {
        WriteMessageToEventLog(e->ErrorText());
        delete e;
        return FALSE;
    }
    catch (...)
    {
        WriteMessageToEventLog(TEXT("Unhandled exception in object
DllMain"));
        return FALSE;
    }

    return TRUE; // OK
}

////////////////////////////////////
// Used to determine whether the DLL can be unloaded by OLE

STDAPI DllCanUnloadNow(void)
{
    return (_Module.GetLockCount()==0) ? S_OK : S_FALSE;
}

////////////////////////////////////
// Returns a class factory to create an object of the requested type

STDAPI DllGetClassObject(REFCLSID rclsid, REFIID riid, LPVOID* ppv)
{
    return _Module.GetClassObject(rclsid, riid, ppv);
}
```

```
pCTPCC_DBLIB_new = (TYPE_CTPCC_DBLIB*)
GetProcAddress(hLibInstanceDb, "CTPCC_DBLIB_new");
if (pCTPCC_DBLIB_new == NULL)
    throw new CCOMPONENT_ERR(
ERR_GETPROCADDR_FAILED, szDllName, GetLastError() );
else if (Reg.eDB_Protocol == ODBC)
{
    strcpy( szDllName, Reg.szPath );
    strcat( szDllName, "tpcc_odbc.dll");
    hLibInstanceDb = LoadLibrary( szDllName );
    if (hLibInstanceDb == NULL)
        throw new CCOMPONENT_ERR(
ERR_LOADDLL_FAILED, szDllName, GetLastError() );

    // get function pointer to wrapper for class
    constructor
        pCTPCC_ODBC_new = (TYPE_CTPCC_ODBC*)
        GetProcAddress(hLibInstanceDb, "CTPCC_ODBC_new");
        if (pCTPCC_ODBC_new == NULL)
            throw new CCOMPONENT_ERR(
ERR_GETPROCADDR_FAILED, szDllName, GetLastError() );
    else
        throw new CCOMPONENT_ERR( ERR_UNKNOWN_DB_PROTOCOL
);
}
else if (dwReason == DLL_PROCESS_DETACH)
    _Module.Term();
}
catch (CBaseErr *e)
{
    WriteMessageToEventLog(e->ErrorText());
    delete e;
    return FALSE;
}
catch (...)
{
    WriteMessageToEventLog(TEXT("Unhandled exception in object
DllMain"));
    return FALSE;
}

return TRUE; // OK
}

////////////////////////////////////
// Used to determine whether the DLL can be unloaded by OLE

STDAPI DllCanUnloadNow(void)
{
    return (_Module.GetLockCount()==0) ? S_OK : S_FALSE;
}

////////////////////////////////////
// Returns a class factory to create an object of the requested type

STDAPI DllGetClassObject(REFCLSID rclsid, REFIID riid, LPVOID* ppv)
{
    return _Module.GetClassObject(rclsid, riid, ppv);
}
```

Appendix A - Application Source Code

```
////////////////////////////////////
// DllRegisterServer - Adds entries to the system registry

STDAPI DllRegisterServer(void)
{
    // registers object, typelib and all interfaces in typelib
    return _Module.RegisterServer(TRUE);
}

////////////////////////////////////
// DllUnregisterServer - Removes entries from the system registry

STDAPI DllUnregisterServer(void)
{
    _Module.UnregisterServer();
    return S_OK;
}

static void WriteMessageToEventLog(LPTSTR lpszMsg)
{
    TCHAR    szMsg[256];
    HANDLE   hEventSource;
    LPTSTR   lpszStrings[2];

    // Use event logging to log the error.
    //
    hEventSource = RegisterEventSource(NULL, TEXT("tpcc_com_all.dll"));

    _stprintf(szMsg, TEXT("Error in COM+ TPC-C Component: "));
    lpszStrings[0] = szMsg;
    lpszStrings[1] = lpszMsg;

    if (hEventSource != NULL)
    {
        ReportEvent(hEventSource, // handle of event source
            EVENTLOG_ERROR_TYPE, // event type
            0, // event category
            0, // event ID
            NULL, // current user's SID
            2, // strings in lpszStrings
            0, // no bytes of raw data
            (LPCTSTR *)lpszStrings, // array of error strings
            NULL); // no raw data

        (VOID) DeregisterEventSource(hEventSource);
    }
}

inline void ReleaseInterface(IUnknown *pUnk)
{
    if (pUnk)
    {
        pUnk->Release();
        pUnk = NULL;
    }
}

/* FUNCTION: CCOMPONENT_ERR::ErrorText
 *
 */

char* CCOMPONENT_ERR::ErrorText(void)
```

```
{
    static SERRORMSG errorMsgs[] =
    {
        { ERR_MISSING_REGISTRY_ENTRIES, "Required entries missing
from registry." },
        { ERR_LOADDLL_FAILED, "Load of DLL
failed. DLL=" },
        { ERR_GETPROCADDR_FAILED, "Could not map proc in DLL.
GetProcAddr error. DLL=" },
        { ERR_UNKOWNN_DB_PROTOCOL, "Unknown database protocol
specified in registry." },
        { 0, "" }
    };

    char szTmp[256];
    int i = 0;
    while (TRUE)
    {
        if (errorMsgs[i].szMsg[0] == 0)
        {
            strcpy( szTmp, "Unknown error number. " );
            break;
        }
        if (m_Error == errorMsgs[i].iError)
        {
            strcpy( szTmp, errorMsgs[i].szMsg );
            break;
        }
        i++;
    }

    if (m_szTextDetail)
        strcat( szTmp, m_szTextDetail );
    if (m_SystemErr)
        wsprintf( szTmp+strlen(szTmp), " Error=%d", m_SystemErr );

    m_szErrorText = new char[strlen(szTmp)+1];
    strcpy( m_szErrorText, szTmp );
    return m_szErrorText;
}

CTPCC_Common::CTPCC_Common()
{
    m_pTxn = NULL;
    m_bCanBePooled = TRUE;
}

CTPCC_Common::~CTPCC_Common()
{
    if (m_pTxn)
        delete m_pTxn;
}

HRESULT CTPCC_Common::CallSetComplete()
{
    IObjectContext* pObjectContext = NULL;

    // get our object context
```

Appendix A - Application Source Code

```

        HRESULT hr = CoGetObjectContext( IID_IObjectContext, (void **)&pObjectContext
);
    pObjectContext->SetComplete();
    ReleaseInterface(pObjectContext);
    return hr;
}
//
// called by the ctor activator
//
STDMETHODIMP CTPCC_Common::Construct(IDispatch * pUnk)
{
    // Code to access construction string, if needed later...
    // if (!pUnk)
    //     return E_UNEXPECTED;
    // IObjectConstructString * pString = NULL;
    // HRESULT hr = pUnk->QueryInterface(IID_IObjectConstructString, (void
**)&pString);
    // pString->Release();

    try
    {
        if (Reg.eDB_Protocol == ODBC)
            m_pTxn = pCTPCC_ODBC_new( Reg.szDbServer, Reg.szDbUser,
Reg.szDbPassword, szMyComputerName, Reg.szDbName );
        else if (Reg.eDB_Protocol == DBLIB)
            m_pTxn = pCTPCC_DBLIB_new( Reg.szDbServer, Reg.szDbUser,
Reg.szDbPassword, szMyComputerName, Reg.szDbName );
    }
    catch (CBaseErr *e)
    {
        WriteMessageToEventLog(e->ErrorText());
        delete e;
        return E_FAIL;
    }
    catch (...)
    {
        WriteMessageToEventLog(TEXT("Unhandled exception in object
::Construct"));
        return E_FAIL;
    }

    return S_OK;
}

HRESULT CTPCC_Common::NewOrder(VARIANT txn_in, VARIANT* txn_out)
{
    PNEW_ORDER_DATA    pNewOrder;
    COM_DATA            *pData;
    try
    {
        pData = (COM_DATA*)txn_in.parray->pvData;
        pNewOrder = m_pTxn->BuffAddr_NewOrder();

        memcpy(pNewOrder, &pData->u.NewOrder, sizeof(NEW_ORDER_DATA));

        m_pTxn->NewOrder();           // do the actual txn

        VariantInit(txn_out);
        txn_out->vt = VT_SAFEARRAY;
        txn_out->parray = SafeArrayCreateVector(VT_UI1,
txn_in.parray-
>rgsabound->cElements,
        txn_in.parray-
>rgsabound->cElements);
    }
    catch (CBaseErr *e)
    {
        WriteMessageToEventLog(TEXT("Unhandled exception in object
::NewOrder"));
        return E_FAIL;
    }

    return S_OK;
}

```

```

        txn_in.parray-
>rgsabound->cElements);
        pData = (COM_DATA*) txn_out->parray->pvData;

        memcpy( &pData->u.NewOrder, pNewOrder, sizeof(NEW_ORDER_DATA));

        pData->retval = ERR_SUCCESS;
        pData->error = 0;
        return S_OK;
    }
    catch (CBaseErr *e)
    {
        // check for lost database connection; if yes, component is toast
        if ( ((e->ErrorType() == ERR_TYPE_DBLIB) && (e->ErrorNum() == 10005))
||
10054)) )
            ((e->ErrorType() == ERR_TYPE_ODBC) && (e->ErrorNum() ==
m_bCanBePooled = FALSE;

        pData->retval = e->ErrorType();
        pData->error = e->ErrorNum();
        delete e;
        return E_FAIL;
    }
    catch (...)
    {
        WriteMessageToEventLog(TEXT("Unhandled exception."));
        pData->retval = ERR_TYPE_LOGIC;
        pData->error = 0;
        m_bCanBePooled = FALSE;
        return E_FAIL;
    }
}

HRESULT CTPCC_Common::Payment(VARIANT txn_in, VARIANT* txn_out)
{
    PPAYMENT_DATA      pPayment;
    COM_DATA            *pData;
    try
    {
        pData = (COM_DATA*)txn_in.parray->pvData;
        pPayment = m_pTxn->BuffAddr_Payment();

        memcpy(pPayment, &pData->u.Payment, sizeof(PAYMENT_DATA));

        m_pTxn->Payment();           // do the actual txn

        VariantInit(txn_out);
        txn_out->vt = VT_SAFEARRAY;
        txn_out->parray = SafeArrayCreateVector( VT_UI1,
txn_in.parray-
>rgsabound->cElements,
        txn_in.parray-
>rgsabound->cElements);
        pData = (COM_DATA*) txn_out->parray->pvData;

        memcpy( &pData->u.Payment, pPayment, sizeof(PAYMENT_DATA));

        pData->retval = ERR_SUCCESS;
        pData->error = 0;
        return S_OK;
    }
    catch (CBaseErr *e)
    {
        WriteMessageToEventLog(TEXT("Unhandled exception in object
::Payment"));
        return E_FAIL;
    }

    return S_OK;
}

```

Appendix A - Application Source Code

```
{
    // check for lost database connection; if yes, component is toast
    if ( ((e->ErrorType() == ERR_TYPE_DBLIB) && (e->ErrorNum() == 10005))
||
10054)) )
        ((e->ErrorType() == ERR_TYPE_ODBC) && (e->ErrorNum() ==
            m_bCanBePooled = FALSE;

        pData->retval = e->ErrorType();
        pData->error = e->ErrorNum();
        delete e;
        return E_FAIL;
    }
    catch (...)
    {
        WriteMessageToEventLog(TEXT("Unhandled exception."));
        pData->retval = ERR_TYPE_LOGIC;
        pData->error = 0;
        m_bCanBePooled = FALSE;
        return E_FAIL;
    }
}

HRESULT CTPCC_Common::StockLevel(VARIANT txn_in, VARIANT* txn_out)
{
    PSTOCK_LEVEL_DATA  pStockLevel;
    COM_DATA            *pData;

    try
    {
        pData = (COM_DATA*)txn_in.parray->pvData;
        pStockLevel = m_pTxn->BuffAddr_StockLevel();

        memcpy(pStockLevel, &pData->u.StockLevel, sizeof(STOCK_LEVEL_DATA));
        m_pTxn->StockLevel();

        VariantInit(txn_out);
        txn_out->vt = VT_SAFEARRAY;
        txn_out->parray = SafeArrayCreateVector( VT_UI1,
            txn_in.parray-
>rgsabound->cElements,
            txn_in.parray-
>rgsabound->cElements);
        pData = (COM_DATA*)txn_out->parray->pvData;

        memcpy( &pData->u.StockLevel, pStockLevel, sizeof(STOCK_LEVEL_DATA));

        pData->retval = ERR_SUCCESS;
        pData->error = 0;
        return S_OK;
    }
    catch (CBaseErr *e)
    {
        // check for lost database connection; if yes, component is toast
        if ( ((e->ErrorType() == ERR_TYPE_DBLIB) && (e->ErrorNum() == 10005))
||
10054)) )
            ((e->ErrorType() == ERR_TYPE_ODBC) && (e->ErrorNum() ==
                m_bCanBePooled = FALSE;

                pData->retval = e->ErrorType();
                pData->error = e->ErrorNum();
                delete e;
                return E_FAIL;
            )
        }
    }
    catch (...)
    {
        WriteMessageToEventLog(TEXT("Unhandled exception."));
        pData->retval = ERR_TYPE_LOGIC;
        pData->error = 0;
        m_bCanBePooled = FALSE;
    }
}
```

```
        delete e;
        return E_FAIL;
    }
    catch (...)
    {
        WriteMessageToEventLog(TEXT("Unhandled exception."));
        pData->retval = ERR_TYPE_LOGIC;
        pData->error = 0;
        m_bCanBePooled = FALSE;
        return E_FAIL;
    }
}

HRESULT CTPCC_Common::OrderStatus(VARIANT txn_in, VARIANT* txn_out)
{
    PORDER_STATUS_DATA  pOrderStatus;
    COM_DATA            *pData;
    try
    {
        pData = (COM_DATA*)txn_in.parray->pvData;
        pOrderStatus = m_pTxn->BuffAddr_OrderStatus();

        memcpy(pOrderStatus, &pData->u.OrderStatus,
            sizeof(ORDER_STATUS_DATA));

        m_pTxn->OrderStatus();

        VariantInit(txn_out);
        txn_out->vt = VT_SAFEARRAY;
        txn_out->parray = SafeArrayCreateVector( VT_UI1,
            txn_in.parray-
>rgsabound->cElements,
            txn_in.parray-
>rgsabound->cElements);
        pData = (COM_DATA*)txn_out->parray->pvData;

        memcpy( &pData->u.OrderStatus, pOrderStatus,
            sizeof(ORDER_STATUS_DATA));

        pData->retval = ERR_SUCCESS;
        pData->error = 0;
        return S_OK;
    }
    catch (CBaseErr *e)
    {
        // check for lost database connection; if yes, component is toast
        if ( ((e->ErrorType() == ERR_TYPE_DBLIB) && (e->ErrorNum() == 10005))
||
10054)) )
            ((e->ErrorType() == ERR_TYPE_ODBC) && (e->ErrorNum() ==
                m_bCanBePooled = FALSE;

                pData->retval = e->ErrorType();
                pData->error = e->ErrorNum();
                delete e;
                return E_FAIL;
            )
        }
    }
    catch (...)
    {
        WriteMessageToEventLog(TEXT("Unhandled exception."));
        pData->retval = ERR_TYPE_LOGIC;
        pData->error = 0;
        m_bCanBePooled = FALSE;
    }
}
```

Appendix A - Application Source Code

```
        return E_FAIL;
    }
}
```

tpcc_com_all/src/tpcc_com_all.def

```
; tpcc_com_all.def : Declares the module parameters.

LIBRARY      "tpcc_com_all.dll"

EXPORTS
    DllCanUnloadNow      @1 PRIVATE
    DllGetClassObject    @2 PRIVATE
    DllRegisterServer    @3 PRIVATE
    DllUnregisterServer  @4 PRIVATE
```

tpcc_com_all/src/tpcc_com_all.h

```
#pragma warning( disable: 4049 ) /* more than 64k source lines */

/* this ALWAYS GENERATED file contains the definitions for the interfaces */

/* File created by MIDL compiler version 5.03.0280 */
/* at Sat Apr 08 16:40:18 2000 */
/*
 * Compiler settings for .\src\tpcc_com_all.idl:
 *   Oicf (OptLev=12), Wl, Zp8, env=Win32 (32b run), ms_ext, c_ext
 *   error checks: allocation ref bounds_check enum stub_data
 *   VC __declspec() decoration level:
 *     __declspec(uuid()), __declspec(selectany), __declspec(novtable)
 *     DECLSPEC_UUID(), MIDL_INTERFACE()
 */
//@@MIDL_FILE_HEADING(  )

/* verify that the <rpcndr.h> version is high enough to compile this file*/
#ifndef __REQUIRED_RPCNDR_H_VERSION__
#define __REQUIRED_RPCNDR_H_VERSION__ 440
#endif

#include "rpc.h"
#include "rpcndr.h"

#ifndef __tpcc_com_all_h__
#define __tpcc_com_all_h__

/* Forward Declarations */

#ifndef __TPCC_FWD_DEFINED__
#define __TPCC_FWD_DEFINED__
```

```
#ifndef __cplusplus
typedef class TPCC TPCC;
#else
typedef struct TPCC TPCC;
#endif /* __cplusplus */

#endif /* __TPCC_FWD_DEFINED__ */

#ifndef __NewOrder_FWD_DEFINED__
#define __NewOrder_FWD_DEFINED__

#ifdef __cplusplus
typedef class NewOrder NewOrder;
#else
typedef struct NewOrder NewOrder;
#endif /* __cplusplus */

#endif /* __NewOrder_FWD_DEFINED__ */

#ifndef __OrderStatus_FWD_DEFINED__
#define __OrderStatus_FWD_DEFINED__

#ifdef __cplusplus
typedef class OrderStatus OrderStatus;
#else
typedef struct OrderStatus OrderStatus;
#endif /* __cplusplus */

#endif /* __OrderStatus_FWD_DEFINED__ */

#ifndef __Payment_FWD_DEFINED__
#define __Payment_FWD_DEFINED__

#ifdef __cplusplus
typedef class Payment Payment;
#else
typedef struct Payment Payment;
#endif /* __cplusplus */

#endif /* __Payment_FWD_DEFINED__ */

#ifndef __StockLevel_FWD_DEFINED__
#define __StockLevel_FWD_DEFINED__

#ifdef __cplusplus
typedef class StockLevel StockLevel;
#else
typedef struct StockLevel StockLevel;
#endif /* __cplusplus */

#endif /* __StockLevel_FWD_DEFINED__ */

/* header files for imported files */
#include "oaidl.h"
#include "ocidl.h"
#include "tpcc_com_ps.h"

#ifdef __cplusplus
```


Appendix A - Application Source Code

```
extern "C"{
#endif

void __RPC_FAR * __RPC_USER MIDL_user_allocate(size_t);
void __RPC_USER MIDL_user_free( void __RPC_FAR * );

/* interface __MIDL_itf_tpcc_com_all_0000 */
/* [local] */

extern RPC_IF_HANDLE __MIDL_itf_tpcc_com_all_0000_v0_0_c_ifspec;
extern RPC_IF_HANDLE __MIDL_itf_tpcc_com_all_0000_v0_0_s_ifspec;

#ifdef __TPCCLib_LIBRARY_DEFINED__
#define __TPCCLib_LIBRARY_DEFINED__

/* library TPCCLib */
/* [helpstring][version][uuid] */

EXTERN_C const IID LIBID_TPCCLib;

EXTERN_C const CLSID CLSID_TPCC;

#ifdef __cplusplus

class DECLSPEC_UUID("122A3128-2520-11D3-BA71-00C04FBFE08B")
TPCC;
#endif

EXTERN_C const CLSID CLSID_NewOrder;

#ifdef __cplusplus

class DECLSPEC_UUID("975BAABF-84A7-11D2-BA47-00C04FBFE08B")
NewOrder;
#endif

EXTERN_C const CLSID CLSID_OrderStatus;

#ifdef __cplusplus

class DECLSPEC_UUID("266836AD-A50D-11D2-BA4E-00C04FBFE08B")
OrderStatus;
#endif

EXTERN_C const CLSID CLSID_Payment;

#ifdef __cplusplus

class DECLSPEC_UUID("CD02F7EF-A4FA-11D2-BA4E-00C04FBFE08B")
Payment;
#endif

EXTERN_C const CLSID CLSID_StockLevel;
```

```
#ifdef __cplusplus

class DECLSPEC_UUID("2668369E-A50D-11D2-BA4E-00C04FBFE08B")
StockLevel;
#endif
#endif /* __TPCCLib_LIBRARY_DEFINED__ */

/* Additional Prototypes for ALL interfaces */

/* end of Additional Prototypes */

#ifdef __cplusplus
}
#endif
#endif
```

tpcc_com_all/src/tpcc_com_all.idl

```
/* FILE: TPCC.IDL
 * Microsoft TPC-C Kit Ver. 4.20.000
 * Copyright Microsoft, 1999
 * All Rights Reserved
 * not yet audited
 * PURPOSE: IDL source for TPCC.dll. This file is processed by the MIDL tool to
 * produce the type library (TPCC.tlb) and
 * marshalling code.
 * Change history:
 * 4.20.000 - first version
 */

interface TPCC;
interface NewOrder;
interface OrderStatus;
interface Payment;
interface StockLevel;

import "oidl.idl";
import "ocidl.idl";
import "..\tpcc_com_ps\src\tpcc_com_ps.idl";

[
    uuid(122A3117-2520-11D3-BA71-00C04FBFE08B),
    version(1.0),
    helpstring("TPC-C 1.0 Type Library")
]
library TPCCLib
{
    importlib("stdole32.tlb");
    importlib("stdole2.tlb");

    [
        uuid(122A3128-2520-11D3-BA71-00C04FBFE08B),
```

Appendix A - Application Source Code

```
        helpstring("All Txns Class")
}
coclass TPCC
{
    [default] interface ITPCC;
};

[
    uuid(975BAABF-84A7-11D2-BA47-00C04FBFE08B),
    helpstring("NewOrder Class")
]
coclass NewOrder
{
    [default] interface ITPCC;
};

[
    uuid(266836AD-A50D-11D2-BA4E-00C04FBFE08B),
    helpstring("OrderStatus Class")
]
coclass OrderStatus
{
    [default] interface ITPCC;
};

[
    uuid(CD02F7EF-A4FA-11D2-BA4E-00C04FBFE08B),
    helpstring("Payment Class")
]
coclass Payment
{
    [default] interface ITPCC;
};

[
    uuid(2668369E-A50D-11D2-BA4E-00C04FBFE08B),
    helpstring("StockLevel Class")
]
coclass StockLevel
{
    [default] interface ITPCC;
};
};
```

tpcc_com_all/src/tpcc_com_all.rc

```
//Microsoft Developer Studio generated resource script.
//
#include "resource.h"

#define APSTUDIO_READONLY_SYMBOLS
////////////////////////////////////
//
// Generated from the TEXTINCLUDE 2 resource.
```

```
//
#include "winres.h"

////////////////////////////////////
#undef APSTUDIO_READONLY_SYMBOLS

////////////////////////////////////
// English (U.S.) resources

#if !defined(AFX_RESOURCE_DLL) || defined(AFX_TARG_ENU)
#ifdef _WIN32
LANGUAGE LANG_ENGLISH, SUBLANG_ENGLISH_US
#pragma code_page(1252)
#endif // _WIN32

#ifdef APSTUDIO_INVOKED
////////////////////////////////////
//
// TEXTINCLUDE
//

1 TEXTINCLUDE DISCARDABLE
BEGIN
    "resource.h\0"
END

2 TEXTINCLUDE DISCARDABLE
BEGIN
    "#include \"winres.h\"\r\n"
    "\0"
END

3 TEXTINCLUDE DISCARDABLE
BEGIN
    "1 TYPELIB \"tpcc_com_all.tlb\"\r\n"
    "\0"
END

#endif // APSTUDIO_INVOKED

#ifdef _MAC
////////////////////////////////////
//
// Version
//

VS_VERSION_INFO VERSIONINFO
FILEVERSION 1,0,0,1
PRODUCTVERSION 1,0,0,1
FILEFLAGS 0x3fL
#ifdef _DEBUG
FILEFLAGS 0x1L
#else
FILEFLAGS 0x0L
#endif
FILEOS 0x4L
FILETYPE 0x2L
FILESUBTYPE 0x0L
BEGIN
    BLOCK "StringFileInfo"
    BEGIN
        BLOCK "040904B0"
```

Appendix A - Application Source Code

```
BEGIN
  VALUE "CompanyName", "\0"
  VALUE "FileDescription", "tpcc_com_all Module\0"
  VALUE "FileVersion", "1, 0, 0, 1\0"
  VALUE "InternalName", "TPCCNEWORDER\0"
  VALUE "LegalCopyright", "Copyright 1997\0"
  VALUE "OriginalFilename", "tpcc_com_all.DLL\0"
  VALUE "ProductName", "tpcc_com_all Module\0"
  VALUE "ProductVersion", "1, 0, 0, 1\0"
  VALUE "OLESelfRegister", "\0"
END
END
BLOCK "VarFileInfo"
BEGIN
  VALUE "Translation", 0x409, 1200
END
END
#endif // !_MAC

////////////////////////////////////
//
// REGISTRY
//
IDR_TPCC           REGISTRY DISCARDABLE "tpcc_com_all.rgs"
IDR_NEWORDER      REGISTRY DISCARDABLE "tpcc_com_no.rgs"
IDR_ORDERSTATUS   REGISTRY DISCARDABLE "tpcc_com_os.rgs"
IDR_PAYMENT       REGISTRY DISCARDABLE "tpcc_com_pay.rgs"
IDR_STOCKLEVEL    REGISTRY DISCARDABLE "tpcc_com_sl.rgs"

////////////////////////////////////
//
// String Table
//
STRINGTABLE DISCARDABLE
BEGIN
  IDS_PROJNAME      "tpcc_com_all"
END

#endif // English (U.S.) resources
////////////////////////////////////

#ifndef APSTUDIO_INVOKED
////////////////////////////////////
//
// Generated from the TEXTINCLUDE 3 resource.
//
1 TYPELIB "tpcc_com_all.tlb"
////////////////////////////////////
#endif // not APSTUDIO_INVOKED
```

tpcc_com_all/src/tpcc_com_all.rgs

```
HKCR
{
  TPCC.AllTxns.1 = s 'All Txns Class'
  {
    CLSID = s '{122A3128-2520-11D3-BA71-00C04FBFE08B}'
  }
  TPCC.AllTxns = s 'TPCC Class'
  {
    CurVer = s 'TPCC.AllTxns.1'
  }
  NoRemove CLSID
  {
    ForceRemove {122A3128-2520-11D3-BA71-00C04FBFE08B} = s 'TPCC Class'
    {
      ProgID = s 'TPCC.AllTxns.1'
      VersionIndependentProgID = s 'TPCC.AllTxns'
      InprocServer32 = s '%MODULE%'
      {
        val ThreadingModel = s 'Both'
      }
    }
  }
}
```

tpcc_com_all/src/tpcc_com_all_i.c

```
#pragma warning( disable: 4049 ) /* more than 64k source lines */

/* this ALWAYS GENERATED file contains the IIDs and CLSIDs */

/* link this file in with the server and any clients */

/* File created by MIDL compiler version 5.03.0280 */
/* at Sat Apr 08 16:40:18 2000
*/
/* Compiler settings for .\src\tpcc_com_all.idl:
  Oicf (OptLev=i2), Wl, Zp8, env=Win32 (32b run), ms_ext, c_ext
  error checks: allocation ref bounds_check enum stub_data
  VC __declspec() decoration level:
    __declspec(uuid()), __declspec(selectany), __declspec(novtable)
  DECLSPEC_UUID(), MIDL_INTERFACE()
*/
//@@MIDL_FILE_HEADING(  )

#ifdef _M_IA64 && !defined(_M_AXP64)

#ifdef __cplusplus
extern "C"{
#endif
```

Appendix A - Application Source Code

```
#include <rpc.h>
#include <rpcndr.h>

#ifdef _MIDL_USE_GUIDDEF_

#ifndef INITGUID
#define INITGUID
#include <guiddef.h>
#undef INITGUID
#else
#include <guiddef.h>
#endif

#define MIDL_DEFINE_GUID(type,name,l,w1,w2,b1,b2,b3,b4,b5,b6,b7,b8) \
    DEFINE_GUID(name,l,w1,w2,b1,b2,b3,b4,b5,b6,b7,b8)

#else // !_MIDL_USE_GUIDDEF_

#ifndef __IID_DEFINED__
#define __IID_DEFINED__

typedef struct _IID
{
    unsigned long x;
    unsigned short s1;
    unsigned short s2;
    unsigned char c[8];
} IID;

#endif // __IID_DEFINED__

#ifndef CLSID_DEFINED
#define CLSID_DEFINED
typedef IID CLSID;
#endif // CLSID_DEFINED

#define MIDL_DEFINE_GUID(type,name,l,w1,w2,b1,b2,b3,b4,b5,b6,b7,b8) \
    const type name = {l,w1,w2,{b1,b2,b3,b4,b5,b6,b7,b8}}

#endif !_MIDL_USE_GUIDDEF_

MIDL_DEFINE_GUID(IID,
LIBID_TPCCLib,0x122A3117,0x2520,0x11D3,0xBA,0x71,0x00,0xC0,0x4F,0xBF,0xE0,0x8B);

MIDL_DEFINE_GUID(CLSID,
CLSID_TPCC,0x122A3128,0x2520,0x11D3,0xBA,0x71,0x00,0xC0,0x4F,0xBF,0xE0,0x8B);

MIDL_DEFINE_GUID(CLSID,
CLSID_NewOrder,0x975BAABF,0x84A7,0x11D2,0xBA,0x47,0x00,0xC0,0x4F,0xBF,0xE0,0x8B);

MIDL_DEFINE_GUID(CLSID,
CLSID_OrderStatus,0x266836AD,0xA50D,0x11D2,0xBA,0x4E,0x00,0xC0,0x4F,0xBF,0xE0,0x8B);

MIDL_DEFINE_GUID(CLSID,
CLSID_Payment,0xCD02F7EF,0xA4FA,0x11D2,0xBA,0x4E,0x00,0xC0,0x4F,0xBF,0xE0,0x8B);
```

```
MIDL_DEFINE_GUID(CLSID,
CLSID_StockLevel,0x2668369E,0xA50D,0x11D2,0xBA,0x4E,0x00,0xC0,0x4F,0xBF,0xE0,0x8B);

#undef MIDL_DEFINE_GUID

#ifdef __cplusplus
}
#endif

#endif /* !defined(_M_IA64) && !defined(_M_AXP64) */

#pragma warning( disable: 4049 ) /* more than 64k source lines */

/* this ALWAYS GENERATED file contains the IIDs and CLSIDs */

/* link this file in with the server and any clients */

/* File created by MIDL compiler version 5.03.0280 */
/* at Sat Apr 08 16:40:18 2000
*/
/* Compiler settings for .\src\tpcc_com_all.idl:
Oicf (OptLev=i2), Wl, Zp8, env=Win64 (32b run,appending), ms_ext, c_ext, robust
error checks: allocation ref bounds_check enum stub_data
VC __declspec() decoration level:
__declspec(uuid()), __declspec(selectany), __declspec(novtable)
DECSPEC_UUID(), MIDL_INTERFACE()
*/
//@@MIDL_FILE_HEADING( )

#if defined(_M_IA64) || defined(_M_AXP64)

#ifdef __cplusplus
extern "C"{
#endif

#include <rpc.h>
#include <rpcndr.h>

#ifdef _MIDL_USE_GUIDDEF_

#ifndef INITGUID
#define INITGUID
#include <guiddef.h>
#undef INITGUID
#else
#include <guiddef.h>
#endif

#define MIDL_DEFINE_GUID(type,name,l,w1,w2,b1,b2,b3,b4,b5,b6,b7,b8) \
    DEFINE_GUID(name,l,w1,w2,b1,b2,b3,b4,b5,b6,b7,b8)

#else // !_MIDL_USE_GUIDDEF_

#ifndef __IID_DEFINED__
#define __IID_DEFINED__

typedef struct _IID
{
```

Appendix A - Application Source Code

```
    unsigned long x;
    unsigned short s1;
    unsigned short s2;
    unsigned char c[8];
} IID;

#endif // __IID_DEFINED__

#ifndef CLSID_DEFINED
#define CLSID_DEFINED
typedef IID CLSID;
#endif // CLSID_DEFINED

#define MIDL_DEFINE_GUID(type,name,l,w1,w2,b1,b2,b3,b4,b5,b6,b7,b8) \
    const type name = {l,w1,w2,{b1,b2,b3,b4,b5,b6,b7,b8}}

#endif !_MIDL_USE_GUIDDEF_

MIDL_DEFINE_GUID(IID,
LIBID_TPCCLib,0x122A3117,0x2520,0x11D3,0xBA,0x71,0x00,0xC0,0x4F,0xBF,0xE0,0x8B);

MIDL_DEFINE_GUID(CLSID,
CLSID_TPCC,0x122A3128,0x2520,0x11D3,0xBA,0x71,0x00,0xC0,0x4F,0xBF,0xE0,0x8B);

MIDL_DEFINE_GUID(CLSID,
CLSID_NewOrder,0x975BAABF,0x84A7,0x11D2,0xBA,0x47,0x00,0xC0,0x4F,0xBF,0xE0,0x8B);

MIDL_DEFINE_GUID(CLSID,
CLSID_OrderStatus,0x266836AD,0xA50D,0x11D2,0xBA,0x4E,0x00,0xC0,0x4F,0xBF,0xE0,0x8B);

MIDL_DEFINE_GUID(CLSID,
CLSID_Payment,0xCD02F7EF,0xA4FA,0x11D2,0xBA,0x4E,0x00,0xC0,0x4F,0xBF,0xE0,0x8B);

MIDL_DEFINE_GUID(CLSID,
CLSID_StockLevel,0x2668369E,0xA50D,0x11D2,0xBA,0x4E,0x00,0xC0,0x4F,0xBF,0xE0,0x8B);

#undef MIDL_DEFINE_GUID

#ifdef __cplusplus
}
#endif

#endif /* defined(_M_IA64) || defined(_M_AXP64)*/
```

tpcc_com_all/src/tpcc_com_no.rgs

```
HKCR
```

```
{
    TPCC.NewOrder.1 = s 'NewOrder Class'
    {
        CLSID = s '{975BAABF-84A7-11D2-BA47-00C04FBFE08B}'
    }
    TPCC.NewOrder = s 'NewOrder Class'
    {
        CurVer = s 'TPCC.NewOrder.1'
    }
    NoRemove CLSID
    {
        ForceRemove {975BAABF-84A7-11D2-BA47-00C04FBFE08B} = s 'NewOrder
    Class'
        {
            ProgID = s 'TPCC.NewOrder.1'
            VersionIndependentProgID = s 'TPCC.NewOrder'
            InprocServer32 = s '%MODULE%'
            {
                val ThreadingModel = s 'Both'
            }
        }
    }
}
```

tpcc_com_all/src/tpcc_com_os.rgs

```
HKCR
{
    TPCC.OrderStatus.1 = s 'OrderStatus Class'
    {
        CLSID = s '{266836AD-A50D-11D2-BA4E-00C04FBFE08B}'
    }
    TPCC.OrderStatus = s 'OrderStatus Class'
    {
        CurVer = s 'TPCC.OrderStatus.1'
    }
    NoRemove CLSID
    {
        ForceRemove {266836AD-A50D-11D2-BA4E-00C04FBFE08B} = s 'OrderStatus
    Class'
        {
            ProgID = s 'TPCC.OrderStatus.1'
            VersionIndependentProgID = s 'TPCC.OrderStatus'
            InprocServer32 = s '%MODULE%'
            {
                val ThreadingModel = s 'Both'
            }
        }
    }
}
```

tpcc_com_all/src/tpcc_com_pay.rgs

```
HKCR
{
    TPCC.Payment.1 = s 'Payment Class'
```

Appendix A - Application Source Code

```
{
    CLSID = s '{CD02F7EF-A4FA-11D2-BA4E-00C04FBFE08B}'
}
TPCC.Payment = s 'Payment Class'
{
    CurVer = s 'TPCC.Payment.1'
}
NoRemove CLSID
{
    ForceRemove {CD02F7EF-A4FA-11D2-BA4E-00C04FBFE08B} = s 'Payment
Class'
    {
        ProgID = s 'TPCC.Payment.1'
        VersionIndependentProgID = s 'TPCC.Payment'
        InprocServer32 = s '%MODULE%'
        {
            val ThreadingModel = s 'Both'
        }
    }
}
}
```

tpcc_com_all/src/tpcc_com_ps.h

```
#pragma warning( disable: 4049 ) /* more than 64k source lines */

/* this ALWAYS GENERATED file contains the definitions for the interfaces */

/* File created by MIDL compiler version 5.03.0280 */
/* at Sat Apr 08 16:40:10 2000 */
/*
/* Compiler settings for .\src\tpcc_com_ps.idl:
    Oicf (OptLev=i2), Wl, Zp8, env=Win32 (32b run), ms_ext, c_ext
    error checks: allocation ref bounds_check enum stub_data
    VC __declspec() decoration level:
        __declspec(uuid()), __declspec(selectany), __declspec(novtable)
        DECLSPEC_UUID(), MIDL_INTERFACE()
*/
//@@MIDL_FILE_HEADING(  )

/* verify that the <rpcndr.h> version is high enough to compile this file*/
#ifdef __REQUIRED_RPCNDR_H_VERSION__
#define __REQUIRED_RPCNDR_H_VERSION__ 440
#endif

#include "rpc.h"
#include "rpcndr.h"

#ifdef __RPCNDR_H_VERSION__
#error this stub requires an updated version of <rpcndr.h>
#endif // __RPCNDR_H_VERSION__

#ifdef COM_NO_WINDOWS_H
#include "windows.h"

```

```
#include "ole2.h"
#endif /*COM_NO_WINDOWS_H*/

#ifdef __tpcc_com_ps_h__
#define __tpcc_com_ps_h__

/* Forward Declarations */

#ifdef __ITPCC_FWD_DEFINED__
#define __ITPCC_FWD_DEFINED__
typedef interface ITPCC ITPCC;
#endif /* __ITPCC_FWD_DEFINED__ */

/* header files for imported files */
#include "oaidl.h"
#include "ocidl.h"

#ifdef __cplusplus
extern "C"{
#endif

void __RPC_FAR * __RPC_USER MIDL_user_allocate(size_t);
void __RPC_USER MIDL_user_free( void __RPC_FAR * );

/* interface __MIDL_itf_tpcc_com_ps_0000 */
/* [local] */

extern RPC_IF_HANDLE __MIDL_itf_tpcc_com_ps_0000_v0_0_c_ifspec;
extern RPC_IF_HANDLE __MIDL_itf_tpcc_com_ps_0000_v0_0_s_ifspec;

#ifdef __ITPCC_INTERFACE_DEFINED__
#define __ITPCC_INTERFACE_DEFINED__

/* interface ITPCC */
/* [unique][helpstring][uuid][oleautomation][object] */

EXTERN_C const IID IID_ITPCC;

#if defined(__cplusplus) && !defined(CINTERFACE)

    MIDL_INTERFACE("FEEE6AA2-84B1-11d2-BA47-00C04FBFE08B")
    ITPCC : public IUnknown
    {
    public:
        virtual HRESULT __stdcall NewOrder(
            /* [in] */ VARIANT txn_in,
            /* [out] */ VARIANT __RPC_FAR *txn_out) = 0;

        virtual HRESULT __stdcall Payment(
            /* [in] */ VARIANT txn_in,
            /* [out] */ VARIANT __RPC_FAR *txn_out) = 0;

        virtual HRESULT __stdcall Delivery(
            /* [in] */ VARIANT txn_in,
            /* [out] */ VARIANT __RPC_FAR *txn_out) = 0;

        virtual HRESULT __stdcall StockLevel(
            /* [in] */ VARIANT txn_in,

```

Appendix A - Application Source Code

```
    /* [out] */ VARIANT __RPC_FAR *txn_out) = 0;

virtual HRESULT __stdcall OrderStatus(
    /* [in] */ VARIANT txn_in,
    /* [out] */ VARIANT __RPC_FAR *txn_out) = 0;

virtual HRESULT __stdcall CallSetComplete( void) = 0;
};

#else /* C style interface */

typedef struct ITPCCVtbl
{
    BEGIN_INTERFACE

    HRESULT ( STDMETHODCALLTYPE __RPC_FAR *QueryInterface )(
        ITPCC __RPC_FAR * This,
        /* [in] */ REFIID riid,
        /* [iid_is][out] */ void __RPC_FAR *__RPC_FAR *ppvObject);

    ULONG ( STDMETHODCALLTYPE __RPC_FAR *AddRef )(
        ITPCC __RPC_FAR * This);

    ULONG ( STDMETHODCALLTYPE __RPC_FAR *Release )(
        ITPCC __RPC_FAR * This);

    HRESULT ( STDMETHODCALLTYPE __RPC_FAR *NewOrder )(
        ITPCC __RPC_FAR * This,
        /* [in] */ VARIANT txn_in,
        /* [out] */ VARIANT __RPC_FAR *txn_out);

    HRESULT ( STDMETHODCALLTYPE __RPC_FAR *Payment )(
        ITPCC __RPC_FAR * This,
        /* [in] */ VARIANT txn_in,
        /* [out] */ VARIANT __RPC_FAR *txn_out);

    HRESULT ( STDMETHODCALLTYPE __RPC_FAR *Delivery )(
        ITPCC __RPC_FAR * This,
        /* [in] */ VARIANT txn_in,
        /* [out] */ VARIANT __RPC_FAR *txn_out);

    HRESULT ( STDMETHODCALLTYPE __RPC_FAR *StockLevel )(
        ITPCC __RPC_FAR * This,
        /* [in] */ VARIANT txn_in,
        /* [out] */ VARIANT __RPC_FAR *txn_out);

    HRESULT ( STDMETHODCALLTYPE __RPC_FAR *OrderStatus )(
        ITPCC __RPC_FAR * This,
        /* [in] */ VARIANT txn_in,
        /* [out] */ VARIANT __RPC_FAR *txn_out);

    HRESULT ( STDMETHODCALLTYPE __RPC_FAR *CallSetComplete )(
        ITPCC __RPC_FAR * This);

    END_INTERFACE
} ITPCCVtbl;

interface ITPCC
{
    CONST_VTBL struct ITPCCVtbl __RPC_FAR *lpVtbl;
};
```

```
#ifdef COBJMACROS

#define ITPCC_QueryInterface(This,riid,ppvObject) \
    (This)->lpVtbl -> QueryInterface(This,riid,ppvObject)

#define ITPCC_AddRef(This) \
    (This)->lpVtbl -> AddRef(This)

#define ITPCC_Release(This) \
    (This)->lpVtbl -> Release(This)

#define ITPCC_NewOrder(This,txn_in,txn_out) \
    (This)->lpVtbl -> NewOrder(This,txn_in,txn_out)

#define ITPCC_Payment(This,txn_in,txn_out) \
    (This)->lpVtbl -> Payment(This,txn_in,txn_out)

#define ITPCC_Delivery(This,txn_in,txn_out) \
    (This)->lpVtbl -> Delivery(This,txn_in,txn_out)

#define ITPCC_StockLevel(This,txn_in,txn_out) \
    (This)->lpVtbl -> StockLevel(This,txn_in,txn_out)

#define ITPCC_OrderStatus(This,txn_in,txn_out) \
    (This)->lpVtbl -> OrderStatus(This,txn_in,txn_out)

#define ITPCC_CallSetComplete(This) \
    (This)->lpVtbl -> CallSetComplete(This)

#endif /* COBJMACROS */

#endif /* C style interface */

HRESULT __stdcall ITPCC_NewOrder_Proxy(
    ITPCC __RPC_FAR * This,
    /* [in] */ VARIANT txn_in,
    /* [out] */ VARIANT __RPC_FAR *txn_out);

void __RPC_STUB ITPCC_NewOrder_Stub(
    IRpcStubBuffer *This,
    IRpcChannelBuffer *_pRpcChannelBuffer,
    PRPC_MESSAGE _pRpcMessage,
    DWORD *_pdwStubPhase);

HRESULT __stdcall ITPCC_Payment_Proxy(
    ITPCC __RPC_FAR * This,
    /* [in] */ VARIANT txn_in,
    /* [out] */ VARIANT __RPC_FAR *txn_out);

void __RPC_STUB ITPCC_Payment_Stub(
    IRpcStubBuffer *This,
    IRpcChannelBuffer *_pRpcChannelBuffer,
    PRPC_MESSAGE _pRpcMessage,
```

Appendix A - Application Source Code

```
DWORD *_pdwStubPhase);

HRESULT __stdcall ITPCC_Delivery_Proxy(
    ITPCC __RPC_FAR * This,
    /* [in] */ VARIANT txn_in,
    /* [out] */ VARIANT __RPC_FAR *txn_out);

void __RPC_STUB ITPCC_Delivery_Stub(
    IRpcStubBuffer *This,
    IRpcChannelBuffer *_pRpcChannelBuffer,
    PRPC_MESSAGE _pRpcMessage,
    DWORD *_pdwStubPhase);

HRESULT __stdcall ITPCC_StockLevel_Proxy(
    ITPCC __RPC_FAR * This,
    /* [in] */ VARIANT txn_in,
    /* [out] */ VARIANT __RPC_FAR *txn_out);

void __RPC_STUB ITPCC_StockLevel_Stub(
    IRpcStubBuffer *This,
    IRpcChannelBuffer *_pRpcChannelBuffer,
    PRPC_MESSAGE _pRpcMessage,
    DWORD *_pdwStubPhase);

HRESULT __stdcall ITPCC_OrderStatus_Proxy(
    ITPCC __RPC_FAR * This,
    /* [in] */ VARIANT txn_in,
    /* [out] */ VARIANT __RPC_FAR *txn_out);

void __RPC_STUB ITPCC_OrderStatus_Stub(
    IRpcStubBuffer *This,
    IRpcChannelBuffer *_pRpcChannelBuffer,
    PRPC_MESSAGE _pRpcMessage,
    DWORD *_pdwStubPhase);

HRESULT __stdcall ITPCC_CallSetComplete_Proxy(
    ITPCC __RPC_FAR * This);

void __RPC_STUB ITPCC_CallSetComplete_Stub(
    IRpcStubBuffer *This,
    IRpcChannelBuffer *_pRpcChannelBuffer,
    PRPC_MESSAGE _pRpcMessage,
    DWORD *_pdwStubPhase);

#endif /* __ITPCC_INTERFACE_DEFINED__ */

/* Additional Prototypes for ALL interfaces */

unsigned long          __RPC_USER  VARIANT_UserSize(      unsigned long __RPC_FAR *,
unsigned long          , VARIANT __RPC_FAR * );
unsigned char __RPC_FAR * __RPC_USER  VARIANT_UserMarshal(  unsigned long __RPC_FAR *,
unsigned char __RPC_FAR *, VARIANT __RPC_FAR * );
```

```
unsigned char __RPC_FAR * __RPC_USER  VARIANT_UserUnmarshal(unsigned long __RPC_FAR *,
unsigned char __RPC_FAR *, VARIANT __RPC_FAR * );
void          __RPC_USER  VARIANT_UserFree(      unsigned long __RPC_FAR *,
VARIANT __RPC_FAR * );

/* end of Additional Prototypes */

#ifdef __cplusplus
}
#endif

#endif
```

tpcc_com_all/src/tpcc_com_sl.rgs

```
HKCR
{
    TPCC.StockLevel.1 = s 'StockLevel Class'
    {
        CLSID = s '{2668369E-A50D-11D2-BA4E-00C04FBFE08B}'
    }
    TPCC.StockLevel = s 'StockLevel Class'
    {
        CurVer = s 'TPCC.StockLevel.1'
    }
    NoRemove CLSID
    {
        ForceRemove {2668369E-A50D-11D2-BA4E-00C04FBFE08B} = s 'StockLevel
Class'
        {
            ProgID = s 'TPCC.StockLevel.1'
            VersionIndependentProgID = s 'TPCC.StockLevel'
            InprocServer32 = s '%MODULE%'
            {
                val ThreadingModel = s 'Both'
            }
        }
    }
}
```

tpcc_com_ps/src/dlldata.c

```
/******
DllData file -- generated by MIDL compiler

DO NOT ALTER THIS FILE

This file is regenerated by MIDL on every IDL file compile.

To completely reconstruct this file, delete it and rerun MIDL
on all the IDL files in this DLL, specifying this file for the
```


Appendix A - Application Source Code

```
    /dlldata command line option
*****
#include <rpcproxy.h>

#ifdef __cplusplus
extern "C" {
#endif

EXTERN_PROXY_FILE( tpcc_com_ps )

PROXYFILE_LIST_START
/* Start of list */
REFERENCE_PROXY_FILE( tpcc_com_ps ),
/* End of list */
PROXYFILE_LIST_END

DLLDATA_ROUTINES( aProxyFileList, GET_DLL_CLSID )

#ifdef __cplusplus
} /*extern "C" */
#endif

/* end of generated dlldata file */
```

tpcc_com_ps/src/tpcc_com_ps.def

```
LIBRARY      "tpcc_com_ps"

DESCRIPTION  'Proxy/Stub DLL'

EXPORTS
    DllGetClassObject      @1  PRIVATE
    DllCanUnloadNow        @2  PRIVATE
    GetProxyDllInfo        @3  PRIVATE
    DllRegisterServer       @4  PRIVATE
    DllUnregisterServer     @5  PRIVATE
```

tpcc_com_ps/src/tpcc_com_ps.h

```
#pragma warning( disable: 4049 ) /* more than 64k source lines */

/* this ALWAYS GENERATED file contains the definitions for the interfaces */

/* File created by MIDL compiler version 5.03.0280 */
/* at Sat Apr 08 16:40:10 2000
*/
```

```
/* Compiler settings for .\src\tpcc_com_ps.idl:
Oicf (OptLev=i2), Wl, Zp8, env=Win32 (32b run), ms_ext, c_ext
error checks: allocation ref bounds_check enum stub_data
VC __declspec() decoration level:
    __declspec(uuid()), __declspec(selectany), __declspec(novtable)
    DECLSPEC_UUID(), MIDL_INTERFACE()
*/
//@@MIDL_FILE_HEADING(  )

/* verify that the <rpcndr.h> version is high enough to compile this file*/
#ifdef __REQUIRED_RPCNDR_H_VERSION__
#define __REQUIRED_RPCNDR_H_VERSION__ 440
#endif

#include "rpc.h"
#include "rpcndr.h"

#ifdef __RPCNDR_H_VERSION__
#error this stub requires an updated version of <rpcndr.h>
#endif // __RPCNDR_H_VERSION__

#ifdef COM_NO_WINDOWS_H
#include "windows.h"
#include "ole2.h"
#endif /*COM_NO_WINDOWS_H*/

#ifdef __tpcc_com_ps_h__
#define __tpcc_com_ps_h__

/* Forward Declarations */

#ifdef __ITPCC_FWD_DEFINED__
#define __ITPCC_FWD_DEFINED__
typedef interface ITPCC ITPCC;
#endif /* __ITPCC_FWD_DEFINED__ */

/* header files for imported files */
#include "oaidl.h"
#include "ocidl.h"

#ifdef __cplusplus
extern "C"{
#endif

void __RPC_FAR * __RPC_USER MIDL_user_allocate(size_t);
void __RPC_USER MIDL_user_free( void __RPC_FAR * );

/* interface __MIDL_itf_tpcc_com_ps_0000 */
/* [local] */

extern RPC_IF_HANDLE __MIDL_itf_tpcc_com_ps_0000_v0_0_c_ifspec;
extern RPC_IF_HANDLE __MIDL_itf_tpcc_com_ps_0000_v0_0_s_ifspec;

#ifdef __ITPCC_INTERFACE_DEFINED__
#define __ITPCC_INTERFACE_DEFINED__

/* interface ITPCC */
/* [unique][helpstring][uuid][oleautomation][object] */
```

Appendix A - Application Source Code

```
EXTERN_C const IID IID_ITPCC;

#if defined(__cplusplus) && !defined(CINTERFACE)

MIDL_INTERFACE("FEEE6AA2-84B1-11d2-BA47-00C04FBFE08B")
ITPCC : public IUnknown
{
public:
    virtual HRESULT __stdcall NewOrder(
        /* [in] */ VARIANT txn_in,
        /* [out] */ VARIANT __RPC_FAR *txn_out) = 0;

    virtual HRESULT __stdcall Payment(
        /* [in] */ VARIANT txn_in,
        /* [out] */ VARIANT __RPC_FAR *txn_out) = 0;

    virtual HRESULT __stdcall Delivery(
        /* [in] */ VARIANT txn_in,
        /* [out] */ VARIANT __RPC_FAR *txn_out) = 0;

    virtual HRESULT __stdcall StockLevel(
        /* [in] */ VARIANT txn_in,
        /* [out] */ VARIANT __RPC_FAR *txn_out) = 0;

    virtual HRESULT __stdcall OrderStatus(
        /* [in] */ VARIANT txn_in,
        /* [out] */ VARIANT __RPC_FAR *txn_out) = 0;

    virtual HRESULT __stdcall CallSetComplete( void) = 0;

};

#else /* C style interface */

typedef struct ITPCCVtbl
{
    BEGIN_INTERFACE

    HRESULT ( STDMETHODCALLTYPE __RPC_FAR *QueryInterface )(
        ITPCC __RPC_FAR * This,
        /* [in] */ REFIID riid,
        /* [iid_is][out] */ void __RPC_FAR *__RPC_FAR *ppvObject);

    ULONG ( STDMETHODCALLTYPE __RPC_FAR *AddRef )(
        ITPCC __RPC_FAR * This);

    ULONG ( STDMETHODCALLTYPE __RPC_FAR *Release )(
        ITPCC __RPC_FAR * This);

    HRESULT ( STDMETHODCALLTYPE __RPC_FAR *NewOrder )(
        ITPCC __RPC_FAR * This,
        /* [in] */ VARIANT txn_in,
        /* [out] */ VARIANT __RPC_FAR *txn_out);

    HRESULT ( STDMETHODCALLTYPE __RPC_FAR *Payment )(
        ITPCC __RPC_FAR * This,
        /* [in] */ VARIANT txn_in,
        /* [out] */ VARIANT __RPC_FAR *txn_out);

    HRESULT ( STDMETHODCALLTYPE __RPC_FAR *Delivery )(
        ITPCC __RPC_FAR * This,
```

```
        /* [in] */ VARIANT txn_in,
        /* [out] */ VARIANT __RPC_FAR *txn_out);

    HRESULT ( STDMETHODCALLTYPE __RPC_FAR *StockLevel )(
        ITPCC __RPC_FAR * This,
        /* [in] */ VARIANT txn_in,
        /* [out] */ VARIANT __RPC_FAR *txn_out);

    HRESULT ( STDMETHODCALLTYPE __RPC_FAR *OrderStatus )(
        ITPCC __RPC_FAR * This,
        /* [in] */ VARIANT txn_in,
        /* [out] */ VARIANT __RPC_FAR *txn_out);

    HRESULT ( STDMETHODCALLTYPE __RPC_FAR *CallSetComplete )(
        ITPCC __RPC_FAR * This);

    END_INTERFACE
} ITPCCVtbl;

interface ITPCC
{
    CONST_VTBL struct ITPCCVtbl __RPC_FAR *lpVtbl;
};

#ifdef COBJMACROS

#define ITPCC_QueryInterface(This,riid,ppvObject) \
    (This)->lpVtbl -> QueryInterface(This,riid,ppvObject)

#define ITPCC_AddRef(This) \
    (This)->lpVtbl -> AddRef(This)

#define ITPCC_Release(This) \
    (This)->lpVtbl -> Release(This)

#define ITPCC_NewOrder(This,txn_in,txn_out) \
    (This)->lpVtbl -> NewOrder(This,txn_in,txn_out)

#define ITPCC_Payment(This,txn_in,txn_out) \
    (This)->lpVtbl -> Payment(This,txn_in,txn_out)

#define ITPCC_Delivery(This,txn_in,txn_out) \
    (This)->lpVtbl -> Delivery(This,txn_in,txn_out)

#define ITPCC_StockLevel(This,txn_in,txn_out) \
    (This)->lpVtbl -> StockLevel(This,txn_in,txn_out)

#define ITPCC_OrderStatus(This,txn_in,txn_out) \
    (This)->lpVtbl -> OrderStatus(This,txn_in,txn_out)

#define ITPCC_CallSetComplete(This) \
    (This)->lpVtbl -> CallSetComplete(This)

#endif /* COBJMACROS */

#endif /* C style interface */
```

Appendix A - Application Source Code

```
HRESULT __stdcall ITPCC_NewOrder_Proxy(
    ITPCC __RPC_FAR * This,
    /* [in] */ VARIANT txn_in,
    /* [out] */ VARIANT __RPC_FAR *txn_out);

void __RPC_STUB ITPCC_NewOrder_Stub(
    IrpcStubBuffer *This,
    IRpcChannelBuffer *pRpcChannelBuffer,
    PRPC_MESSAGE _pRpcMessage,
    DWORD *_pdwStubPhase);

HRESULT __stdcall ITPCC_Payment_Proxy(
    ITPCC __RPC_FAR * This,
    /* [in] */ VARIANT txn_in,
    /* [out] */ VARIANT __RPC_FAR *txn_out);

void __RPC_STUB ITPCC_Payment_Stub(
    IrpcStubBuffer *This,
    IRpcChannelBuffer *pRpcChannelBuffer,
    PRPC_MESSAGE _pRpcMessage,
    DWORD *_pdwStubPhase);

HRESULT __stdcall ITPCC_Delivery_Proxy(
    ITPCC __RPC_FAR * This,
    /* [in] */ VARIANT txn_in,
    /* [out] */ VARIANT __RPC_FAR *txn_out);

void __RPC_STUB ITPCC_Delivery_Stub(
    IrpcStubBuffer *This,
    IRpcChannelBuffer *pRpcChannelBuffer,
    PRPC_MESSAGE _pRpcMessage,
    DWORD *_pdwStubPhase);

HRESULT __stdcall ITPCC_StockLevel_Proxy(
    ITPCC __RPC_FAR * This,
    /* [in] */ VARIANT txn_in,
    /* [out] */ VARIANT __RPC_FAR *txn_out);

void __RPC_STUB ITPCC_StockLevel_Stub(
    IrpcStubBuffer *This,
    IRpcChannelBuffer *pRpcChannelBuffer,
    PRPC_MESSAGE _pRpcMessage,
    DWORD *_pdwStubPhase);

HRESULT __stdcall ITPCC_OrderStatus_Proxy(
    ITPCC __RPC_FAR * This,
    /* [in] */ VARIANT txn_in,
    /* [out] */ VARIANT __RPC_FAR *txn_out);

void __RPC_STUB ITPCC_OrderStatus_Stub(
    IrpcStubBuffer *This,
    IRpcChannelBuffer *pRpcChannelBuffer,
    PRPC_MESSAGE _pRpcMessage,
```

```
DWORD *_pdwStubPhase);

HRESULT __stdcall ITPCC_CallSetComplete_Proxy(
    ITPCC __RPC_FAR * This);

void __RPC_STUB ITPCC_CallSetComplete_Stub(
    IrpcStubBuffer *This,
    IRpcChannelBuffer *pRpcChannelBuffer,
    PRPC_MESSAGE _pRpcMessage,
    DWORD *_pdwStubPhase);

#endif /* __ITPCC_INTERFACE_DEFINED__ */

/* Additional Prototypes for ALL interfaces */

unsigned long             __RPC_USER  VARIANT_UserSize(      unsigned long __RPC_FAR *,
unsigned long             , VARIANT __RPC_FAR * );
unsigned char __RPC_FAR * __RPC_USER  VARIANT_UserMarshal(  unsigned long __RPC_FAR *,
unsigned char __RPC_FAR *, VARIANT __RPC_FAR * );
unsigned char __RPC_FAR * __RPC_USER  VARIANT_UserUnmarshal(unsigned long __RPC_FAR *,
unsigned char __RPC_FAR *, VARIANT __RPC_FAR * );
void                    __RPC_USER  VARIANT_UserFree(      unsigned long __RPC_FAR *,
VARIANT __RPC_FAR * );

/* end of Additional Prototypes */

#ifdef __cplusplus
}
#endif

#endif
```

tpcc_com_ps/src/tpcc_com_ps.idl

```
/*      FILE:          ITPCC.IDL
 *
 *                      Microsoft TPC-C Kit Ver. 4.20.000
 *                      Copyright Microsoft, 1999
 *
 *                      All Rights Reserved
 *
 *
 *                      not yet audited
 *
 *      PURPOSE:       Defines the interface used by TPCC. This
interface can be implemented by C++ components.
 *
 *      Change history:
 *                      4.20.000 - first version
```

Appendix A - Application Source Code

```
*/
// Forward declare all types defined
interface ITPCC;
import "oaidl.idl";
import "ocidl.idl";

[
    object,
    oleautomation,
    uuid(FEEE6AA2-84B1-11d2-BA47-00C04FBFE08B),
    helpstring("ITPCC Interface"),
    pointer_default(unique)
]
interface ITPCC : IUnknown
{
    HRESULT STDMETHODCALLTYPE NewOrder
        (
            [in] VARIANT txn_in,
            [out] VARIANT *txn_out
        );

    HRESULT STDMETHODCALLTYPE Payment
        (
            [in] VARIANT txn_in,
            [out] VARIANT *txn_out
        );

    HRESULT STDMETHODCALLTYPE Delivery
        (
            [in] VARIANT txn_in,
            [out] VARIANT *txn_out
        );

    HRESULT STDMETHODCALLTYPE StockLevel
        (
            [in] VARIANT txn_in,
            [out] VARIANT *txn_out
        );

    HRESULT STDMETHODCALLTYPE OrderStatus
        (
            [in] VARIANT txn_in,
            [out] VARIANT *txn_out
        );
}
```

```
HRESULT STDMETHODCALLTYPE CallSetComplete
(
);

}; // interface ITPCC
```

tpcc_com_ps/src/tpcc_com_ps_i.c

```
#pragma warning( disable: 4049 ) /* more than 64k source lines */

/* this ALWAYS GENERATED file contains the IIDs and CLSIDs */

/* link this file in with the server and any clients */

/* File created by MIDL compiler version 5.03.0280 */
/* at Sat Apr 08 16:40:10 2000 */
*/
/* Compiler settings for .\src\tpcc_com_ps.idl:
   Oicf (OptLev=i2), Wl, Zp8, env=Win32 (32b run), ms_ext, c_ext
   error checks: allocation ref bounds_check enum stub_data
   VC __declspec() decoration level:
       __declspec(uuid()), __declspec(selectany), __declspec(novtable)
       DECLSPEC_UUID(), MIDL_INTERFACE()
*/
//@@MIDL_FILE_HEADING( )

#if !defined(_M_IA64) && !defined(_M_AXP64)

#ifdef __cplusplus
extern "C"{
#endif

#include <rpc.h>
#include <rpcndr.h>

#ifdef _MIDL_USE_GUIDDEF_

#ifndef INITGUID
#define INITGUID
#include <guiddef.h>
#undef INITGUID
#else
#include <guiddef.h>
#endif

#define MIDL_DEFINE_GUID(type,name,l,w1,w2,b1,b2,b3,b4,b5,b6,b7,b8) \
    DEFINE_GUID(name,l,w1,w2,b1,b2,b3,b4,b5,b6,b7,b8)

#else // !_MIDL_USE_GUIDDEF_
```

Appendix A - Application Source Code

```
#ifndef __IID_DEFINED__
#define __IID_DEFINED__

typedef struct _IID
{
    unsigned long x;
    unsigned short s1;
    unsigned short s2;
    unsigned char c[8];
} IID;

#endif // __IID_DEFINED__

#ifndef CLSID_DEFINED
#define CLSID_DEFINED
typedef IID CLSID;
#endif // CLSID_DEFINED

#define MIDL_DEFINE_GUID(type,name,l,w1,w2,b1,b2,b3,b4,b5,b6,b7,b8) \
    const type name = {l,w1,w2,{b1,b2,b3,b4,b5,b6,b7,b8}}

#endif !_MIDL_USE_GUIDDEF_

MIDL_DEFINE_GUID(IID,
IID_ITPCC,0xFEE6AA2,0x84B1,0x11d2,0xBA,0x47,0x00,0xC0,0x4F,0xBF,0xE0,0x8B);

#undef MIDL_DEFINE_GUID

#ifdef __cplusplus
}
#endif

#endif /* !defined(_M_IA64) && !defined(_M_AXP64)*/

#pragma warning( disable: 4049 ) /* more than 64k source lines */

/* this ALWAYS GENERATED file contains the IIDs and CLSIDs */

/* link this file in with the server and any clients */

/* File created by MIDL compiler version 5.03.0280 */
/* at Sat Apr 08 16:40:10 2000 */
/*
/* Compiler settings for .\src\tpcc_com_ps.idl:
    Oicf (OptLev=i2), Wl, Zp8, env=Win64 (32b run,appending), ms_ext, c_ext, robust
    error checks: allocation ref bounds_check enum stub_data
    VC __declspec() decoration level:
        __declspec(uuid()), __declspec(selectany), __declspec(novtable)
        DECLSPEC_UUID(), MIDL_INTERFACE()
*/
//@@MIDL_FILE_HEADING( )

#ifdef defined(_M_IA64) || defined(_M_AXP64)

#ifdef __cplusplus
extern "C"{
#endif
#endif
```

```
#include <rpc.h>
#include <rpcndr.h>

#ifdef _MIDL_USE_GUIDDEF_

#ifndef INITGUID
#define INITGUID
#include <guiddef.h>
#undef INITGUID
#else
#include <guiddef.h>
#endif

#define MIDL_DEFINE_GUID(type,name,l,w1,w2,b1,b2,b3,b4,b5,b6,b7,b8) \
    DEFINE_GUID(name,l,w1,w2,b1,b2,b3,b4,b5,b6,b7,b8)

#else // !_MIDL_USE_GUIDDEF_

#ifndef __IID_DEFINED__
#define __IID_DEFINED__

typedef struct _IID
{
    unsigned long x;
    unsigned short s1;
    unsigned short s2;
    unsigned char c[8];
} IID;

#endif // __IID_DEFINED__

#ifndef CLSID_DEFINED
#define CLSID_DEFINED
typedef IID CLSID;
#endif // CLSID_DEFINED

#define MIDL_DEFINE_GUID(type,name,l,w1,w2,b1,b2,b3,b4,b5,b6,b7,b8) \
    const type name = {l,w1,w2,{b1,b2,b3,b4,b5,b6,b7,b8}}

#endif !_MIDL_USE_GUIDDEF_

MIDL_DEFINE_GUID(IID,
IID_ITPCC,0xFEE6AA2,0x84B1,0x11d2,0xBA,0x47,0x00,0xC0,0x4F,0xBF,0xE0,0x8B);

#undef MIDL_DEFINE_GUID

#ifdef __cplusplus
}
#endif

#endif /* defined(_M_IA64) || defined(_M_AXP64)*/
```

tpcc_com_ps/src/tpcc_com_ps_p.c

Appendix A - Application Source Code

```
#pragma warning( disable: 4049 ) /* more than 64k source lines */

/* this ALWAYS GENERATED file contains the proxy stub code */

/* File created by MIDL compiler version 5.03.0280 */
/* at Sat Apr 08 16:40:10 2000
*/
/* Compiler settings for .\src\tpcc_com_ps.idl:
   Oicf (OptLev=i2), Wl, Zp8, env=Win32 (32b run), ms_ext, c_ext
   error checks: allocation ref bounds_check enum stub_data
   VC __declspec() decoration level:
       __declspec(uuid()), __declspec(selectany), __declspec(novtable)
       DECLSPEC_UUID(), MIDL_INTERFACE()
*/
//@@MIDL_FILE_HEADING(  )

#if !defined(_M_IA64) && !defined(_M_AXP64)
#define USE_STUBLESS_PROXY

/* verify that the <rpcproxy.h> version is high enough to compile this file*/
#ifdef __REDQ_RPCPROXY_H_VERSION__
#define __REQUIRED_RPCPROXY_H_VERSION__ 440
#endif

#include "rpcproxy.h"
#ifdef __RPCPROXY_H_VERSION__
#error this stub requires an updated version of <rpcproxy.h>
#endif // __RPCPROXY_H_VERSION__

#include "tpcc_com_ps.h"

#define TYPE_FORMAT_STRING_SIZE 997
#define PROC_FORMAT_STRING_SIZE 193
#define TRANSMIT_AS_TABLE_SIZE 0
#define WIRE_MARSHAL_TABLE_SIZE 1

typedef struct _MIDL_TYPE_FORMAT_STRING
{
    short          Pad;
    unsigned char  Format[ TYPE_FORMAT_STRING_SIZE ];
} MIDL_TYPE_FORMAT_STRING;

typedef struct _MIDL_PROC_FORMAT_STRING
{
    short          Pad;
    unsigned char  Format[ PROC_FORMAT_STRING_SIZE ];
} MIDL_PROC_FORMAT_STRING;

extern const MIDL_TYPE_FORMAT_STRING __MIDL_TypeFormatString;
extern const MIDL_PROC_FORMAT_STRING __MIDL_ProcFormatString;

/* Standard interface: __MIDL_itf_tpcc_com_ps_0000, ver. 0.0,
   GUID={0x00000000,0x0000,0x0000,{0x00,0x00,0x00,0x00,0x00,0x00,0x00,0x00}} */

/* Object interface: IUnknown, ver. 0.0,
   GUID={0x00000000,0x0000,0x0000,{0xC0,0x00,0x00,0x00,0x00,0x00,0x00,0x46}} */

/* Object interface: ITPCC, ver. 0.0,
   GUID={0xFEE6AA2,0x84B1,0x11d2,{0xBA,0x47,0x00,0xC0,0x4F,0xBF,0xE0,0x8B}} */

extern const MIDL_STUB_DESC Object_StubDesc;

extern const MIDL_SERVER_INFO ITPCC_ServerInfo;

#pragma code_seg(".orpc")
static const unsigned short ITPCC_FormatStringOffsetTable[] =
{
    0,
    34,
    68,
    102,
    136,
    170
};

static const MIDL_SERVER_INFO ITPCC_ServerInfo =
{
    &Object_StubDesc,
    0,
    __MIDL_ProcFormatString.Format,
    &ITPCC_FormatStringOffsetTable[-3],
    0,
    0,
    0,
    0
};

static const MIDL_STUBLESS_PROXY_INFO ITPCC_ProxyInfo =
{
    &Object_StubDesc,
    __MIDL_ProcFormatString.Format,
    &ITPCC_FormatStringOffsetTable[-3],
    0,
    0,
    0
};

CINTERFACE_PROXY_VTABLE(9) _ITPCCProxyVtbl =
{
    &ITPCC_ProxyInfo,
    &IID_ITPCC,
    IUnknown_QueryInterface_Proxy,
    IUnknown_AddRef_Proxy,
    IUnknown_Release_Proxy ,
    (void *)-1 /* ITPCC::NewOrder */ ,
    (void *)-1 /* ITPCC::Payment */ ,
    (void *)-1 /* ITPCC::Delivery */ ,
    (void *)-1 /* ITPCC::StockLevel */ ,
    (void *)-1 /* ITPCC::OrderStatus */ ,
    (void *)-1 /* ITPCC::CallSetComplete */
};

const CInterfaceStubVtbl _ITPCCStubVtbl =
{

```


Appendix A - Application Source Code

```

                                NdrFcShort( 0x18 ), /* Alpha Stack size/offset = 24 */
#endif
/* 26 */ NdrFcShort( 0x3da ), /* Type Offset=986 */

/* Return value */

/* 28 */ NdrFcShort( 0x70 ), /* Flags: out, return, base type, */
#ifndef _ALPHA_
#ifndef _PPC_
#if !defined(_MIPS_)
/* 30 */ NdrFcShort( 0x18 ), /* x86 Stack size/offset = 24 */
#else
                                NdrFcShort( 0x1c ), /* MIPS Stack size/offset = 28 */
#endif
#else
                                NdrFcShort( 0x1c ), /* PPC Stack size/offset = 28 */
#endif
#else
                                NdrFcShort( 0x20 ), /* Alpha Stack size/offset = 32 */
#endif
/* 32 */ 0x8, /* FC_LONG */
0x0, /* 0 */

/* Procedure Payment */

/* 34 */ 0x33, /* FC_AUTO_HANDLE */
0x6c, /* Old Flags: object, Oi2 */
/* 36 */ NdrFcLong( 0x0 ), /* 0 */
/* 40 */ NdrFcShort( 0x4 ), /* 4 */
#ifndef _ALPHA_
#ifndef _PPC_
#if !defined(_MIPS_)
/* 42 */ NdrFcShort( 0x1c ), /* x86 Stack size/offset = 28 */
#else
                                NdrFcShort( 0x20 ), /* MIPS Stack size/offset = 32 */
#endif
#else
                                NdrFcShort( 0x20 ), /* PPC Stack size/offset = 32 */
#endif
#else
                                NdrFcShort( 0x28 ), /* Alpha Stack size/offset = 40 */
#endif
/* 44 */ NdrFcShort( 0x0 ), /* 0 */
/* 46 */ NdrFcShort( 0x8 ), /* 8 */
/* 48 */ 0x7, /* Oi2 Flags: srv must size, clt must size, has return, */
0x3, /* 3 */

/* Parameter txn_in */

/* 50 */ NdrFcShort( 0x8b ), /* Flags: must size, must free, in, by val, */
#ifndef _ALPHA_
#ifndef _PPC_
#if !defined(_MIPS_)
/* 52 */ NdrFcShort( 0x4 ), /* x86 Stack size/offset = 4 */
#else
                                NdrFcShort( 0x8 ), /* MIPS Stack size/offset = 8 */
#endif
#else
                                NdrFcShort( 0x8 ), /* PPC Stack size/offset = 8 */
#endif
#else
                                NdrFcShort( 0x8 ), /* Alpha Stack size/offset = 8 */
#endif
#endif
```

```

/* 54 */ NdrFcShort( 0x3c8 ), /* Type Offset=968 */

/* Parameter txn_out */

/* 56 */ NdrFcShort( 0x4113 ), /* Flags: must size, must free, out, simple ref,
srv alloc size=16 */
#ifndef _ALPHA_
#ifndef _PPC_
#if !defined(_MIPS_)
/* 58 */ NdrFcShort( 0x14 ), /* x86 Stack size/offset = 20 */
#else
                                NdrFcShort( 0x18 ), /* MIPS Stack size/offset = 24 */
#endif
#else
                                NdrFcShort( 0x18 ), /* PPC Stack size/offset = 24 */
#endif
#else
                                NdrFcShort( 0x18 ), /* Alpha Stack size/offset = 24 */
#endif
/* 60 */ NdrFcShort( 0x3da ), /* Type Offset=986 */

/* Return value */

/* 62 */ NdrFcShort( 0x70 ), /* Flags: out, return, base type, */
#ifndef _ALPHA_
#ifndef _PPC_
#if !defined(_MIPS_)
/* 64 */ NdrFcShort( 0x18 ), /* x86 Stack size/offset = 24 */
#else
                                NdrFcShort( 0x1c ), /* MIPS Stack size/offset = 28 */
#endif
#else
                                NdrFcShort( 0x1c ), /* PPC Stack size/offset = 28 */
#endif
#else
                                NdrFcShort( 0x20 ), /* Alpha Stack size/offset = 32 */
#endif
/* 66 */ 0x8, /* FC_LONG */
0x0, /* 0 */

/* Procedure Delivery */

/* 68 */ 0x33, /* FC_AUTO_HANDLE */
0x6c, /* Old Flags: object, Oi2 */
/* 70 */ NdrFcLong( 0x0 ), /* 0 */
/* 74 */ NdrFcShort( 0x5 ), /* 5 */
#ifndef _ALPHA_
#ifndef _PPC_
#if !defined(_MIPS_)
/* 76 */ NdrFcShort( 0x1c ), /* x86 Stack size/offset = 28 */
#else
                                NdrFcShort( 0x20 ), /* MIPS Stack size/offset = 32 */
#endif
#else
                                NdrFcShort( 0x20 ), /* PPC Stack size/offset = 32 */
#endif
#else
                                NdrFcShort( 0x28 ), /* Alpha Stack size/offset = 40 */
#endif
/* 78 */ NdrFcShort( 0x0 ), /* 0 */
/* 80 */ NdrFcShort( 0x8 ), /* 8 */
/* 82 */ 0x7, /* Oi2 Flags: srv must size, clt must size, has return, */
0x3, /* 3 */
```


Appendix A - Application Source Code

```
/* Parameter txn_in */

/* 84 */ NdrFcShort( 0x8b ), /* Flags: must size, must free, in, by val, */
#ifdef _ALPHA_
#ifdef _PPC_
#if !defined(_MIPS_)
/* 86 */ NdrFcShort( 0x4 ), /* x86 Stack size/offset = 4 */
#else
NdrFcShort( 0x8 ), /* MIPS Stack size/offset = 8 */
#endif
#else
NdrFcShort( 0x8 ), /* PPC Stack size/offset = 8 */
#endif
#else
NdrFcShort( 0x8 ), /* Alpha Stack size/offset = 8 */
#endif
/* 88 */ NdrFcShort( 0x3c8 ), /* Type Offset=968 */

/* Parameter txn_out */

/* 90 */ NdrFcShort( 0x4113 ), /* Flags: must size, must free, out, simple ref,
srv alloc size=16 */
#ifdef _ALPHA_
#ifdef _PPC_
#if !defined(_MIPS_)
/* 92 */ NdrFcShort( 0x14 ), /* x86 Stack size/offset = 20 */
#else
NdrFcShort( 0x18 ), /* MIPS Stack size/offset = 24 */
#endif
#else
NdrFcShort( 0x18 ), /* PPC Stack size/offset = 24 */
#endif
#else
NdrFcShort( 0x18 ), /* Alpha Stack size/offset = 24 */
#endif
/* 94 */ NdrFcShort( 0x3da ), /* Type Offset=986 */

/* Return value */

/* 96 */ NdrFcShort( 0x70 ), /* Flags: out, return, base type, */
#ifdef _ALPHA_
#ifdef _PPC_
#if !defined(_MIPS_)
/* 98 */ NdrFcShort( 0x18 ), /* x86 Stack size/offset = 24 */
#else
NdrFcShort( 0x1c ), /* MIPS Stack size/offset = 28 */
#endif
#else
NdrFcShort( 0x1c ), /* PPC Stack size/offset = 28 */
#endif
#else
NdrFcShort( 0x20 ), /* Alpha Stack size/offset = 32 */
#endif
/* 100 */ 0x8, /* FC_LONG */
0x0, /* 0 */

/* Procedure StockLevel */

/* 102 */ 0x33, /* FC_AUTO_HANDLE */
0x6c, /* Old Flags: object, Oi2 */
/* 104 */ NdrFcLong( 0x0 ), /* 0 */
/* 108 */ NdrFcShort( 0x6 ), /* 6 */
```

```
#ifndef _ALPHA_
#ifdef _PPC_
#if !defined(_MIPS_)
/* 110 */ NdrFcShort( 0x1c ), /* x86 Stack size/offset = 28 */
#else
NdrFcShort( 0x20 ), /* MIPS Stack size/offset = 32 */
#endif
#else
NdrFcShort( 0x20 ), /* PPC Stack size/offset = 32 */
#endif
#else
NdrFcShort( 0x28 ), /* Alpha Stack size/offset = 40 */
#endif
/* 112 */ NdrFcShort( 0x0 ), /* 0 */
/* 114 */ NdrFcShort( 0x8 ), /* 8 */
/* 116 */ 0x7, /* Oi2 Flags: srv must size, clt must size, has return, */
/* 3 */

/* Parameter txn_in */

/* 118 */ NdrFcShort( 0x8b ), /* Flags: must size, must free, in, by val, */
#ifdef _ALPHA_
#ifdef _PPC_
#if !defined(_MIPS_)
/* 120 */ NdrFcShort( 0x4 ), /* x86 Stack size/offset = 4 */
#else
NdrFcShort( 0x8 ), /* MIPS Stack size/offset = 8 */
#endif
#else
NdrFcShort( 0x8 ), /* PPC Stack size/offset = 8 */
#endif
#else
NdrFcShort( 0x8 ), /* Alpha Stack size/offset = 8 */
#endif
/* 122 */ NdrFcShort( 0x3c8 ), /* Type Offset=968 */

/* Parameter txn_out */

/* 124 */ NdrFcShort( 0x4113 ), /* Flags: must size, must free, out, simple ref,
srv alloc size=16 */
#ifdef _ALPHA_
#ifdef _PPC_
#if !defined(_MIPS_)
/* 126 */ NdrFcShort( 0x14 ), /* x86 Stack size/offset = 20 */
#else
NdrFcShort( 0x18 ), /* MIPS Stack size/offset = 24 */
#endif
#else
NdrFcShort( 0x18 ), /* PPC Stack size/offset = 24 */
#endif
#else
NdrFcShort( 0x18 ), /* Alpha Stack size/offset = 24 */
#endif
/* 128 */ NdrFcShort( 0x3da ), /* Type Offset=986 */

/* Return value */

/* 130 */ NdrFcShort( 0x70 ), /* Flags: out, return, base type, */
#ifdef _ALPHA_
#ifdef _PPC_
#if !defined(_MIPS_)
/* 132 */ NdrFcShort( 0x18 ), /* x86 Stack size/offset = 24 */
#else
/* 132 */ NdrFcShort( 0x18 ), /* x86 Stack size/offset = 24 */
#endif
#endif
#endif
```

Appendix A - Application Source Code

```

                                NdrFcShort( 0x1c ), /* MIPS Stack size/offset = 28 */
#endif
#else
                                NdrFcShort( 0x1c ), /* PPC Stack size/offset = 28 */
#endif
#else
                                NdrFcShort( 0x20 ), /* Alpha Stack size/offset = 32 */
#endif
/* 134 */ 0x8, /* FC_LONG */
                                0x0, /* 0 */

/* Procedure OrderStatus */

/* 136 */ 0x33, /* FC_AUTO_HANDLE */
                                0x6c, /* Old Flags: object, Oi2 */
/* 138 */ NdrFcLong( 0x0 ), /* 0 */
/* 142 */ NdrFcShort( 0x7 ), /* 7 */
#ifdef _ALPHA_
#ifdef _PPC_
#if !defined(_MIPS_)
/* 144 */ NdrFcShort( 0x1c ), /* x86 Stack size/offset = 28 */
#else
                                NdrFcShort( 0x20 ), /* MIPS Stack size/offset = 32 */
#endif
#else
                                NdrFcShort( 0x20 ), /* PPC Stack size/offset = 32 */
#endif
#else
                                NdrFcShort( 0x28 ), /* Alpha Stack size/offset = 40 */
#endif
/* 146 */ NdrFcShort( 0x0 ), /* 0 */
/* 148 */ NdrFcShort( 0x8 ), /* 8 */
/* 150 */ 0x7, /* Oi2 Flags: srv must size, clt must size, has return, */
                                0x3, /* 3 */

/* Parameter txn_in */

/* 152 */ NdrFcShort( 0x8b ), /* Flags: must size, must free, in, by val, */
#ifdef _ALPHA_
#ifdef _PPC_
#if !defined(_MIPS_)
/* 154 */ NdrFcShort( 0x4 ), /* x86 Stack size/offset = 4 */
#else
                                NdrFcShort( 0x8 ), /* MIPS Stack size/offset = 8 */
#endif
#else
                                NdrFcShort( 0x8 ), /* PPC Stack size/offset = 8 */
#endif
#else
                                NdrFcShort( 0x8 ), /* Alpha Stack size/offset = 8 */
#endif
/* 156 */ NdrFcShort( 0x3c8 ), /* Type Offset=968 */

/* Parameter txn_out */

/* 158 */ NdrFcShort( 0x4113 ), /* Flags: must size, must free, out, simple ref,
srv alloc size=16 */
#ifdef _ALPHA_
#ifdef _PPC_
#if !defined(_MIPS_)
/* 160 */ NdrFcShort( 0x14 ), /* x86 Stack size/offset = 20 */
#else
                                NdrFcShort( 0x18 ), /* MIPS Stack size/offset = 24 */

```

```

#endif
#else
                                NdrFcShort( 0x18 ), /* PPC Stack size/offset = 24 */
#endif
#else
                                NdrFcShort( 0x18 ), /* Alpha Stack size/offset = 24 */
#endif
/* 162 */ NdrFcShort( 0x3da ), /* Type Offset=986 */

/* Return value */

/* 164 */ NdrFcShort( 0x70 ), /* Flags: out, return, base type, */
#ifdef _ALPHA_
#ifdef _PPC_
#if !defined(_MIPS_)
/* 166 */ NdrFcShort( 0x18 ), /* x86 Stack size/offset = 24 */
#else
                                NdrFcShort( 0x1c ), /* MIPS Stack size/offset = 28 */
#endif
#else
                                NdrFcShort( 0x1c ), /* PPC Stack size/offset = 28 */
#endif
#else
                                NdrFcShort( 0x20 ), /* Alpha Stack size/offset = 32 */
#endif
/* 168 */ 0x8, /* FC_LONG */
                                0x0, /* 0 */

/* Procedure CallSetComplete */

/* 170 */ 0x33, /* FC_AUTO_HANDLE */
                                0x6c, /* Old Flags: object, Oi2 */
/* 172 */ NdrFcLong( 0x0 ), /* 0 */
/* 176 */ NdrFcShort( 0x8 ), /* 8 */
#ifdef _ALPHA_
/* 178 */ NdrFcShort( 0x8 ), /* x86, MIPS, PPC Stack size/offset = 8 */
#else
                                NdrFcShort( 0x10 ), /* Alpha Stack size/offset = 16 */
#endif
/* 180 */ NdrFcShort( 0x0 ), /* 0 */
/* 182 */ NdrFcShort( 0x8 ), /* 8 */
/* 184 */ 0x4, /* Oi2 Flags: has return, */
                                0x1, /* 1 */

/* Return value */

/* 186 */ NdrFcShort( 0x70 ), /* Flags: out, return, base type, */
#ifdef _ALPHA_
/* 188 */ NdrFcShort( 0x4 ), /* x86, MIPS, PPC Stack size/offset = 4 */
#else
                                NdrFcShort( 0x8 ), /* Alpha Stack size/offset = 8 */
#endif
/* 190 */ 0x8, /* FC_LONG */
                                0x0, /* 0 */

                                0x0

}
};

static const MIDL_TYPE_FORMAT_STRING __MIDL_TypeFormatString =
{
    0,
    {

```

Appendix A - Application Source Code

```

NdrFcShort( 0x0 ), /* 0 */
/* 2 */
0x12, 0x0, /* FC_UP */
/* 4 */ NdrFcShort( 0x3b0 ), /* Offset= 944 (948) */
/* 6 */
0x2b, /* FC_NON_ENCAPSULATED_UNION */
0x9, /* FC_ULONG */
/* 8 */ 0x7, /* Corr desc: FC_USHORT */
0x0, /* */
/* 10 */ NdrFcShort( 0xffff8 ), /* -8 */
/* 12 */ NdrFcShort( 0x2 ), /* Offset= 2 (14) */
/* 14 */ NdrFcShort( 0x10 ), /* 16 */
/* 16 */ NdrFcShort( 0x2b ), /* 43 */
/* 18 */ NdrFcLong( 0x3 ), /* 3 */
/* 22 */ NdrFcShort( 0x8008 ), /* Simple arm type: FC_LONG */
/* 24 */ NdrFcLong( 0x11 ), /* 17 */
/* 28 */ NdrFcShort( 0x8001 ), /* Simple arm type: FC_BYTE */
/* 30 */ NdrFcLong( 0x2 ), /* 2 */
/* 34 */ NdrFcShort( 0x8006 ), /* Simple arm type: FC_SHORT */
/* 36 */ NdrFcLong( 0x4 ), /* 4 */
/* 40 */ NdrFcShort( 0x800a ), /* Simple arm type: FC_FLOAT */
/* 42 */ NdrFcLong( 0x5 ), /* 5 */
/* 46 */ NdrFcShort( 0x800c ), /* Simple arm type: FC_DOUBLE */
/* 48 */ NdrFcLong( 0xb ), /* 11 */
/* 52 */ NdrFcShort( 0x8006 ), /* Simple arm type: FC_SHORT */
/* 54 */ NdrFcLong( 0xa ), /* 10 */
/* 58 */ NdrFcShort( 0x8008 ), /* Simple arm type: FC_LONG */
/* 60 */ NdrFcLong( 0x6 ), /* 6 */
/* 64 */ NdrFcShort( 0xd6 ), /* Offset= 214 (278) */
/* 66 */ NdrFcLong( 0x7 ), /* 7 */
/* 70 */ NdrFcShort( 0x800c ), /* Simple arm type: FC_DOUBLE */
/* 72 */ NdrFcLong( 0x8 ), /* 8 */
/* 76 */ NdrFcShort( 0xd0 ), /* Offset= 208 (284) */
/* 78 */ NdrFcLong( 0xd ), /* 13 */
/* 82 */ NdrFcShort( 0xe2 ), /* Offset= 226 (308) */
/* 84 */ NdrFcLong( 0x9 ), /* 9 */
/* 88 */ NdrFcShort( 0xee ), /* Offset= 238 (326) */
/* 90 */ NdrFcLong( 0x2000 ), /* 8192 */
/* 94 */ NdrFcShort( 0xfa ), /* Offset= 250 (344) */
/* 96 */ NdrFcLong( 0x24 ), /* 36 */
/* 100 */ NdrFcShort( 0x308 ), /* Offset= 776 (876) */
/* 102 */ NdrFcLong( 0x4024 ), /* 16420 */
/* 106 */ NdrFcShort( 0x302 ), /* Offset= 770 (876) */
/* 108 */ NdrFcLong( 0x4011 ), /* 16401 */
/* 112 */ NdrFcShort( 0x300 ), /* Offset= 768 (880) */
/* 114 */ NdrFcLong( 0x4002 ), /* 16386 */
/* 118 */ NdrFcShort( 0x2fe ), /* Offset= 766 (884) */
/* 120 */ NdrFcLong( 0x4003 ), /* 16387 */
/* 124 */ NdrFcShort( 0x2fc ), /* Offset= 764 (888) */
/* 126 */ NdrFcLong( 0x4004 ), /* 16388 */
/* 130 */ NdrFcShort( 0x2fa ), /* Offset= 762 (892) */
/* 132 */ NdrFcLong( 0x4005 ), /* 16389 */
/* 136 */ NdrFcShort( 0x2f8 ), /* Offset= 760 (896) */
/* 138 */ NdrFcLong( 0x400b ), /* 16395 */
/* 142 */ NdrFcShort( 0x2e6 ), /* Offset= 742 (884) */
/* 144 */ NdrFcLong( 0x400a ), /* 16394 */
/* 148 */ NdrFcShort( 0x2e4 ), /* Offset= 740 (888) */
/* 150 */ NdrFcLong( 0x4006 ), /* 16390 */
/* 154 */ NdrFcShort( 0x2ea ), /* Offset= 746 (900) */
/* 156 */ NdrFcLong( 0x4007 ), /* 16391 */
/* 160 */ NdrFcShort( 0x2e0 ), /* Offset= 736 (896) */
/* 162 */ NdrFcLong( 0x4008 ), /* 16392 */
/* 166 */ NdrFcShort( 0x2e2 ), /* Offset= 738 (904) */
/* 168 */ NdrFcLong( 0x400d ), /* 16397 */
/* 172 */ NdrFcShort( 0x2e0 ), /* Offset= 736 (908) */
/* 174 */ NdrFcLong( 0x4009 ), /* 16393 */
/* 178 */ NdrFcShort( 0x2de ), /* Offset= 734 (912) */
/* 180 */ NdrFcLong( 0x6000 ), /* 24576 */
/* 184 */ NdrFcShort( 0x2dc ), /* Offset= 732 (916) */
/* 186 */ NdrFcLong( 0x400c ), /* 16396 */
/* 190 */ NdrFcShort( 0x2da ), /* Offset= 730 (920) */
/* 192 */ NdrFcLong( 0x10 ), /* 16 */
/* 196 */ NdrFcShort( 0x8002 ), /* Simple arm type: FC_CHAR */
/* 198 */ NdrFcLong( 0x12 ), /* 18 */
/* 202 */ NdrFcShort( 0x8006 ), /* Simple arm type: FC_SHORT */
/* 204 */ NdrFcLong( 0x13 ), /* 19 */
/* 208 */ NdrFcShort( 0x8008 ), /* Simple arm type: FC_LONG */
/* 210 */ NdrFcLong( 0x16 ), /* 22 */
/* 214 */ NdrFcShort( 0x8008 ), /* Simple arm type: FC_LONG */
/* 216 */ NdrFcLong( 0x17 ), /* 23 */
/* 220 */ NdrFcShort( 0x8008 ), /* Simple arm type: FC_LONG */
/* 222 */ NdrFcLong( 0xe ), /* 14 */
/* 226 */ NdrFcShort( 0x2be ), /* Offset= 702 (928) */
/* 228 */ NdrFcLong( 0x400e ), /* 16398 */
/* 232 */ NdrFcShort( 0x2c4 ), /* Offset= 708 (940) */
/* 234 */ NdrFcLong( 0x4010 ), /* 16400 */
/* 238 */ NdrFcShort( 0x2c2 ), /* Offset= 706 (944) */
/* 240 */ NdrFcLong( 0x4012 ), /* 16402 */
/* 244 */ NdrFcShort( 0x280 ), /* Offset= 640 (884) */
/* 246 */ NdrFcLong( 0x4013 ), /* 16403 */
/* 250 */ NdrFcShort( 0x27e ), /* Offset= 638 (888) */
/* 252 */ NdrFcLong( 0x4016 ), /* 16406 */
/* 256 */ NdrFcShort( 0x278 ), /* Offset= 632 (888) */
/* 258 */ NdrFcLong( 0x4017 ), /* 16407 */
/* 262 */ NdrFcShort( 0x272 ), /* Offset= 626 (888) */
/* 264 */ NdrFcLong( 0x0 ), /* 0 */
/* 268 */ NdrFcShort( 0x0 ), /* Offset= 0 (268) */
/* 270 */ NdrFcLong( 0x1 ), /* 1 */
/* 274 */ NdrFcShort( 0x0 ), /* Offset= 0 (274) */
/* 276 */ NdrFcShort( 0xffffffff ), /* Offset= -1 (275) */
/* 278 */
0x15, /* FC_STRUCT */
0x7, /* 7 */
/* 280 */ NdrFcShort( 0x8 ), /* 8 */
/* 282 */ 0xb, /* FC_HYPER */
0x5b, /* FC_END */
/* 284 */
0x12, 0x0, /* FC_UP */
/* 286 */ NdrFcShort( 0xc ), /* Offset= 12 (298) */
/* 288 */
0x1b, /* FC_CARRAY */
0x1, /* 1 */
/* 290 */ NdrFcShort( 0x2 ), /* 2 */
/* 292 */ 0x9, /* Corr desc: FC_ULONG */
0x0, /* */
/* 294 */ NdrFcShort( 0xffffc ), /* -4 */
/* 296 */ 0x6, /* FC_SHORT */
0x5b, /* FC_END */
/* 298 */
0x17, /* FC_CSTRUCT */
0x3, /* 3 */
/* 300 */ NdrFcShort( 0x8 ), /* 8 */
/* 302 */ NdrFcShort( 0xffffffff2 ), /* Offset= -14 (288) */
/* 304 */ 0x8, /* FC_LONG */
0x8, /* FC_LONG */
/* 306 */ 0x5c, /* FC_PAD */
```

Appendix A - Application Source Code

```
/* 308 */          0x5b,          /* FC_END */
/* 310 */ NdrFcLong( 0x0 ), /* 0 */
/* 314 */ NdrFcShort( 0x0 ), /* 0 */
/* 316 */ NdrFcShort( 0x0 ), /* 0 */
/* 318 */ 0xc0,          /* 192 */
/* 320 */ 0x0,          /* 0 */
/* 322 */ 0x0,          /* 0 */
/* 324 */ 0x0,          /* 0 */
/* 326 */          0x46,          /* 70 */
/* 328 */ NdrFcLong( 0x20400 ), /* 132096 */
/* 332 */ NdrFcShort( 0x0 ), /* 0 */
/* 334 */ NdrFcShort( 0x0 ), /* 0 */
/* 336 */ 0xc0,          /* 192 */
/* 338 */ 0x0,          /* 0 */
/* 340 */ 0x0,          /* 0 */
/* 342 */ 0x0,          /* 0 */
/* 344 */          0x46,          /* 70 */
/* 346 */ NdrFcShort( 0x2 ), /* Offset= 2 (348) */
/* 348 */          0x12, 0x10, /* FC_UP [pointer_deref] */
/* 350 */ NdrFcShort( 0x1fc ), /* Offset= 508 (858) */
/* 352 */          0x2a,          /* FC_ENCAPSULATED_UNION */
/* 354 */ NdrFcShort( 0x18 ), /* 24 */
/* 356 */ NdrFcShort( 0xa ), /* 10 */
/* 358 */ NdrFcLong( 0x8 ), /* 8 */
/* 362 */ NdrFcShort( 0x58 ), /* Offset= 88 (450) */
/* 364 */ NdrFcLong( 0xd ), /* 13 */
/* 368 */ NdrFcShort( 0x78 ), /* Offset= 120 (488) */
/* 370 */ NdrFcLong( 0x9 ), /* 9 */
/* 374 */ NdrFcShort( 0x94 ), /* Offset= 148 (522) */
/* 376 */ NdrFcLong( 0xc ), /* 12 */
/* 380 */ NdrFcShort( 0xbc ), /* Offset= 188 (568) */
/* 382 */ NdrFcLong( 0x24 ), /* 36 */
/* 386 */ NdrFcShort( 0x114 ), /* Offset= 276 (662) */
/* 388 */ NdrFcLong( 0x800d ), /* 32781 */
/* 392 */ NdrFcShort( 0x130 ), /* Offset= 304 (696) */
/* 394 */ NdrFcLong( 0x10 ), /* 16 */
/* 398 */ NdrFcShort( 0x148 ), /* Offset= 328 (726) */
/* 400 */ NdrFcLong( 0x2 ), /* 2 */
/* 404 */ NdrFcShort( 0x160 ), /* Offset= 352 (756) */
/* 406 */ NdrFcLong( 0x3 ), /* 3 */
/* 410 */ NdrFcShort( 0x178 ), /* Offset= 376 (786) */
/* 412 */ NdrFcLong( 0x14 ), /* 20 */
/* 416 */ NdrFcShort( 0x190 ), /* Offset= 400 (816) */
/* 418 */ NdrFcShort( 0xffffffff ), /* Offset= -1 (417) */
/* 420 */          0x1b,          /* FC_CARRAY */

/* 422 */ NdrFcShort( 0x4 ), /* 4 */
/* 424 */ 0x19,          /* Corr desc: field pointer, FC_ULONG */
/* 426 */ NdrFcShort( 0x0 ), /* 0 */
/* 428 */          0x4b,          /* FC_PP */
/* 430 */          0x5c,          /* FC_PAD */
/* 432 */ NdrFcShort( 0x4 ), /* 4 */
/* 434 */ NdrFcShort( 0x0 ), /* 0 */
/* 436 */ NdrFcShort( 0x1 ), /* 1 */
/* 438 */ NdrFcShort( 0x0 ), /* 0 */
/* 440 */ NdrFcShort( 0x0 ), /* 0 */
/* 442 */ 0x12, 0x0,      /* FC_UP */
/* 444 */ NdrFcShort( 0xffffffff6e ), /* Offset= -146 (298) */
/* 446 */          0x5b,          /* FC_END */
/* 448 */ 0x5c,          /* FC_PAD */
/* 450 */          0x5b,          /* FC_END */
/* 452 */ NdrFcShort( 0x8 ), /* 8 */
/* 454 */          0x16,          /* FC_PSTRUCT */
/* 456 */          0x3,          /* 3 */
/* 458 */          0x4b,          /* FC_PP */
/* 460 */          0x5c,          /* FC_PAD */
/* 462 */ NdrFcShort( 0x4 ), /* 4 */
/* 464 */ NdrFcShort( 0x4 ), /* 4 */
/* 466 */ 0x11, 0x0,      /* FC_RP */
/* 468 */ NdrFcShort( 0xffffffffd4 ), /* Offset= -44 (420) */
/* 470 */          0x5b,          /* FC_END */
/* 472 */ 0x8,          /* FC_LONG */
/* 474 */          0x5b,          /* FC_END */
/* 476 */          0x21,          /* FC_BOGUS_ARRAY */
/* 478 */          0x3,          /* 3 */
/* 480 */ NdrFcShort( 0x0 ), /* 0 */
/* 482 */ 0x19,          /* Corr desc: field pointer, FC_ULONG */
/* 484 */ NdrFcShort( 0x0 ), /* 0 */
/* 486 */ NdrFcLong( 0xffffffff ), /* -1 */
/* 488 */ 0x4c,          /* FC_EMBEDDED_COMPLEX */
/* 490 */          0x0,          /* 0 */
/* 492 */ NdrFcShort( 0xfffffff50 ), /* Offset= -176 (308) */
/* 494 */ 0x5c,          /* FC_PAD */
/* 496 */          0x5b,          /* FC_END */
/* 498 */          0x1a,          /* FC_BOGUS_STRUCT */
/* 500 */          0x3,          /* 3 */
/* 502 */ NdrFcShort( 0x8 ), /* 8 */
/* 504 */ NdrFcShort( 0x0 ), /* 0 */
/* 506 */ NdrFcShort( 0x6 ), /* Offset= 6 (500) */
```

Appendix A - Application Source Code

```
/* 496 */ 0x8, /* FC_LONG */
/* 498 */ 0x5c, /* FC_PAD */
/* 500 */ 0x5b, /* FC_END */
/* 502 */ NdrFcShort( 0xffffffe0 ), /* Offset= -32 (470) */
/* 504 */ 0x21, /* FC_BOGUS_ARRAY */
/* 506 */ NdrFcShort( 0x0 ), /* 0 */
/* 508 */ 0x19, /* Corr desc: field pointer, FC_ULONG */
/* 510 */ NdrFcShort( 0x0 ), /* 0 */
/* 512 */ NdrFcLong( 0xffffffff ), /* -1 */
/* 516 */ 0x4c, /* FC_EMBEDDED_COMPLEX */
/* 518 */ NdrFcShort( 0xffffff40 ), /* Offset= -192 (326) */
/* 520 */ 0x5c, /* FC_PAD */
/* 522 */ 0x5b, /* FC_END */
/* 524 */ NdrFcShort( 0x1a ), /* FC_BOGUS_STRUCT */
/* 526 */ NdrFcShort( 0x3 ), /* 3 */
/* 528 */ NdrFcShort( 0x8 ), /* 8 */
/* 530 */ NdrFcShort( 0x0 ), /* 0 */
/* 532 */ NdrFcShort( 0x6 ), /* Offset= 6 (534) */
/* 534 */ 0x8, /* FC_LONG */
/* 536 */ 0x5c, /* FC_POINTER */
/* 538 */ 0x5b, /* FC_PAD */
/* 540 */ NdrFcShort( 0x11, 0x0 ), /* FC_RP */
/* 542 */ NdrFcShort( 0xffffffe0 ), /* Offset= -32 (504) */
/* 544 */ 0x1b, /* FC_CARRY */
/* 546 */ NdrFcShort( 0x3 ), /* 3 */
/* 548 */ NdrFcShort( 0x4 ), /* 4 */
/* 550 */ NdrFcShort( 0x19 ), /* Corr desc: field pointer, FC_ULONG */
/* 552 */ NdrFcShort( 0x0 ), /* 0 */
/* 554 */ NdrFcShort( 0x0 ), /* 0 */
/* 556 */ NdrFcShort( 0x4b ), /* FC_PP */
/* 558 */ NdrFcShort( 0x5c ), /* FC_PAD */
/* 560 */ NdrFcShort( 0x48 ), /* FC_VARIABLE_REPEAT */
/* 562 */ NdrFcShort( 0x49 ), /* FC_FIXED_OFFSET */
/* 564 */ NdrFcShort( 0x4 ), /* 4 */
/* 566 */ NdrFcShort( 0x0 ), /* 0 */
/* 568 */ NdrFcShort( 0x1 ), /* 1 */
/* 570 */ NdrFcShort( 0x0 ), /* 0 */
/* 572 */ NdrFcShort( 0x0 ), /* 0 */
/* 574 */ NdrFcShort( 0x1 ), /* 1 */
/* 576 */ 0x8, /* FC_LONG */
/* 578 */ 0x5c, /* FC_PAD */
/* 580 */ 0x5b, /* FC_END */
/* 582 */ NdrFcShort( 0x11, 0x0 ), /* FC_RP */
/* 584 */ NdrFcShort( 0xffffffd4 ), /* Offset= -44 (538) */
/* 586 */ NdrFcLong( 0x2f ), /* 47 */
/* 590 */ NdrFcShort( 0x2f ), /* 47 */
/* 592 */ NdrFcShort( 0x0 ), /* 0 */
/* 594 */ 0xc0, /* 192 */
/* 596 */ 0x0, /* 0 */
/* 598 */ 0x0, /* 0 */
/* 600 */ 0x0, /* 0 */
/* 602 */ 0x46, /* 70 */
/* 604 */ NdrFcShort( 0x1b ), /* FC_CARRY */
/* 606 */ 0x19, /* Corr desc: field pointer, FC_ULONG */
/* 608 */ NdrFcShort( 0x0 ), /* 0 */
/* 610 */ 0x1, /* FC_BYTE */
/* 612 */ 0x5b, /* FC_END */
/* 614 */ NdrFcShort( 0x1a ), /* FC_BOGUS_STRUCT */
/* 616 */ NdrFcShort( 0x3 ), /* 3 */
/* 618 */ NdrFcShort( 0x10 ), /* 16 */
/* 620 */ NdrFcShort( 0x0 ), /* 0 */
/* 622 */ NdrFcShort( 0xa ), /* Offset= 10 (628) */
/* 624 */ 0x8, /* FC_LONG */
/* 626 */ 0x36, /* FC_EMBEDDED_COMPLEX */
/* 628 */ 0x5b, /* FC_POINTER */
/* 630 */ NdrFcShort( 0x12, 0x0 ), /* FC_UP */
/* 632 */ NdrFcShort( 0xffffffe4 ), /* Offset= -28 (602) */
/* 634 */ NdrFcShort( 0x1b ), /* FC_CARRY */
/* 636 */ 0x3, /* 3 */
/* 638 */ NdrFcShort( 0x4 ), /* 4 */
/* 640 */ 0x19, /* Corr desc: field pointer, FC_ULONG */
/* 642 */ NdrFcShort( 0x0 ), /* 0 */
/* 644 */ NdrFcShort( 0x4b ), /* FC_PP */
/* 646 */ NdrFcShort( 0x5c ), /* FC_PAD */
/* 648 */ NdrFcShort( 0x48 ), /* FC_VARIABLE_REPEAT */
/* 650 */ NdrFcShort( 0x49 ), /* FC_FIXED_OFFSET */
/* 652 */ NdrFcShort( 0x4 ), /* 4 */
/* 654 */ NdrFcShort( 0x0 ), /* 0 */
```

Appendix A - Application Source Code

```
/* 648 */ NdrFcShort( 0x1 ), /* 1 */
/* 650 */ NdrFcShort( 0x0 ), /* 0 */
/* 652 */ NdrFcShort( 0x0 ), /* 0 */
/* 654 */ 0x12, 0x0, /* FC_UP */
/* 656 */ NdrFcShort( 0xffffffffd4 ), /* Offset= -44 (612) */
/* 658 */
    0x5b, /* FC_END */
    0x8, /* FC_LONG */
/* 660 */ 0x5c, /* FC_PAD */
    0x5b, /* FC_END */
/* 662 */
    0x1a, /* FC_BOGUS_STRUCT */
    0x3, /* 3 */
/* 664 */ NdrFcShort( 0x8 ), /* 8 */
/* 666 */ NdrFcShort( 0x0 ), /* 0 */
/* 668 */ NdrFcShort( 0x6 ), /* Offset= 6 (674) */
/* 670 */ 0x8, /* FC_LONG */
/* 672 */ 0x5c, /* FC_PAD */
    0x5b, /* FC_END */
/* 674 */
    0x11, 0x0, /* FC_RP */
/* 676 */ NdrFcShort( 0xffffffffd4 ), /* Offset= -44 (632) */
/* 678 */
    0x1d, /* FC_SMFARRAY */
    0x0, /* 0 */
/* 680 */ NdrFcShort( 0x8 ), /* 8 */
/* 682 */ 0x2, /* FC_CHAR */
    0x5b, /* FC_END */
/* 684 */
    0x15, /* FC_STRUCT */
    0x3, /* 3 */
/* 686 */ NdrFcShort( 0x10 ), /* 16 */
/* 688 */ 0x8, /* FC_LONG */
    0x6, /* FC_SHORT */
/* 690 */ 0x6, /* FC_SHORT */
    0x4c, /* FC_EMBEDDED_COMPLEX */
/* 692 */ 0x0, /* 0 */
    NdrFcShort( 0xfffffffff1 ), /* Offset= -15 (678) */
    0x5b, /* FC_END */
/* 696 */
    0x1a, /* FC_BOGUS_STRUCT */
    0x3, /* 3 */
/* 698 */ NdrFcShort( 0x18 ), /* 24 */
/* 700 */ NdrFcShort( 0x0 ), /* 0 */
/* 702 */ NdrFcShort( 0xa ), /* Offset= 10 (712) */
/* 704 */ 0x8, /* FC_LONG */
    0x36, /* FC_POINTER */
/* 706 */ 0x4c, /* FC_EMBEDDED_COMPLEX */
    0x0, /* 0 */
/* 708 */ NdrFcShort( 0xffffffffe8 ), /* Offset= -24 (684) */
/* 710 */ 0x5c, /* FC_PAD */
    0x5b, /* FC_END */
/* 712 */
    0x11, 0x0, /* FC_RP */
/* 714 */ NdrFcShort( 0xffffffff0c ), /* Offset= -244 (470) */
/* 716 */
    0x1b, /* FC_CARRAY */
    0x0, /* 0 */
/* 718 */ NdrFcShort( 0x1 ), /* 1 */
/* 720 */ 0x19, /* Corr desc: field pointer, FC_ULONG */
    0x0, /* */
```

```
/* 722 */ NdrFcShort( 0x0 ), /* 0 */
/* 724 */ 0x1, /* FC_BYTE */
    0x5b, /* FC_END */
/* 726 */
    0x16, /* FC_PSTRUCT */
    0x3, /* 3 */
/* 728 */ NdrFcShort( 0x8 ), /* 8 */
/* 730 */
    0x4b, /* FC_PP */
    0x5c, /* FC_PAD */
/* 732 */
    0x46, /* FC_NO_REPEAT */
    0x5c, /* FC_PAD */
/* 734 */ NdrFcShort( 0x4 ), /* 4 */
/* 736 */ NdrFcShort( 0x4 ), /* 4 */
/* 738 */ 0x12, 0x0, /* FC_UP */
/* 740 */ NdrFcShort( 0xffffffffe8 ), /* Offset= -24 (716) */
/* 742 */
    0x5b, /* FC_END */
    0x8, /* FC_LONG */
/* 744 */ 0x8, /* FC_LONG */
    0x5b, /* FC_END */
/* 746 */
    0x1b, /* FC_CARRAY */
    0x1, /* 1 */
/* 748 */ NdrFcShort( 0x2 ), /* 2 */
/* 750 */ 0x19, /* Corr desc: field pointer, FC_ULONG */
    0x0, /* */
/* 752 */ NdrFcShort( 0x0 ), /* 0 */
/* 754 */ 0x6, /* FC_SHORT */
    0x5b, /* FC_END */
/* 756 */
    0x16, /* FC_PSTRUCT */
    0x3, /* 3 */
/* 758 */ NdrFcShort( 0x8 ), /* 8 */
/* 760 */
    0x4b, /* FC_PP */
    0x5c, /* FC_PAD */
/* 762 */
    0x46, /* FC_NO_REPEAT */
    0x5c, /* FC_PAD */
/* 764 */ NdrFcShort( 0x4 ), /* 4 */
/* 766 */ NdrFcShort( 0x4 ), /* 4 */
/* 768 */ 0x12, 0x0, /* FC_UP */
/* 770 */ NdrFcShort( 0xffffffffe8 ), /* Offset= -24 (746) */
/* 772 */
    0x5b, /* FC_END */
    0x8, /* FC_LONG */
/* 774 */ 0x8, /* FC_LONG */
    0x5b, /* FC_END */
/* 776 */
    0x1b, /* FC_CARRAY */
    0x3, /* 3 */
/* 778 */ NdrFcShort( 0x4 ), /* 4 */
/* 780 */ 0x19, /* Corr desc: field pointer, FC_ULONG */
    0x0, /* */
/* 782 */ NdrFcShort( 0x0 ), /* 0 */
/* 784 */ 0x8, /* FC_LONG */
    0x5b, /* FC_END */
/* 786 */
    0x16, /* FC_PSTRUCT */
```

Appendix A - Application Source Code

```
/* 788 */ NdrFcShort( 0x8 ), /* 8 */
/* 790 */
                                0x4b, /* FC_PP */
                                0x5c, /* FC_PAD */
/* 792 */
                                0x46, /* FC_NO_REPEAT */
                                0x5c, /* FC_PAD */
/* 794 */ NdrFcShort( 0x4 ), /* 4 */
/* 796 */ NdrFcShort( 0x4 ), /* 4 */
/* 798 */ 0x12, 0x0, /* FC_UP */
/* 800 */ NdrFcShort( 0xfffffe8 ), /* Offset= -24 (776) */
/* 802 */
                                0x5b, /* FC_END */
/* 804 */ 0x8,
                                0x8, /* FC_LONG */
                                0x5b, /* FC_END */
/* 806 */
                                0x1b, /* FC_CARRAY */
                                0x7, /* 7 */
/* 808 */ NdrFcShort( 0x8 ), /* 8 */
/* 810 */ 0x19, /* Corr desc: field pointer, FC_ULONG */
/* 812 */ NdrFcShort( 0x0 ), /* 0 */
/* 814 */ 0xb, /* FC_HYPER */
                                0x5b, /* FC_END */
/* 816 */
                                0x16, /* FC_PSTRUCT */
                                0x3, /* 3 */
/* 818 */ NdrFcShort( 0x8 ), /* 8 */
/* 820 */
                                0x4b, /* FC_PP */
                                0x5c, /* FC_PAD */
/* 822 */
                                0x46, /* FC_NO_REPEAT */
                                0x5c, /* FC_PAD */
/* 824 */ NdrFcShort( 0x4 ), /* 4 */
/* 826 */ NdrFcShort( 0x4 ), /* 4 */
/* 828 */ 0x12, 0x0, /* FC_UP */
/* 830 */ NdrFcShort( 0xfffffe8 ), /* Offset= -24 (806) */
/* 832 */
                                0x5b, /* FC_END */
/* 834 */ 0x8,
                                0x8, /* FC_LONG */
                                0x5b, /* FC_END */
/* 836 */
                                0x15, /* FC_STRUCT */
                                0x3, /* 3 */
/* 838 */ NdrFcShort( 0x8 ), /* 8 */
/* 840 */ 0x8, /* FC_LONG */
                                0x8, /* FC_LONG */
                                0x5c, /* FC_PAD */
                                0x5b, /* FC_END */
/* 844 */
                                0x1b, /* FC_CARRAY */
                                0x3, /* 3 */
/* 846 */ NdrFcShort( 0x8 ), /* 8 */
/* 848 */ 0x7, /* Corr desc: FC_USHORT */
                                0x0, /* */
/* 850 */ NdrFcShort( 0xffd8 ), /* -40 */
/* 852 */ 0x4c, /* FC_EMBEDDED_COMPLEX */

                                0x0, /* 0 */
/* 854 */ NdrFcShort( 0xfffffee ), /* Offset= -18 (836) */
/* 856 */ 0x5c, /* FC_PAD */
                                0x5b, /* FC_END */
/* 858 */
                                0x1a, /* FC_BOGUS_STRUCT */
                                0x3, /* 3 */
/* 860 */ NdrFcShort( 0x28 ), /* 40 */
/* 862 */ NdrFcShort( 0xfffffee ), /* Offset= -18 (844) */
/* 864 */ NdrFcShort( 0x0 ), /* Offset= 0 (864) */
/* 866 */ 0x6, /* FC_SHORT */
                                0x6, /* FC_SHORT */
/* 868 */ 0x38, /* FC_ALIGNM4 */
                                0x8, /* FC_LONG */
/* 870 */ 0x8, /* FC_LONG */
                                0x4c, /* FC_EMBEDDED_COMPLEX */
/* 872 */ 0x0, /* 0 */
                                NdrFcShort( 0xffffdf7 ), /* Offset= -521 (352) */
                                0x5b, /* FC_END */
/* 876 */
                                0x12, 0x0, /* FC_UP */
/* 878 */ NdrFcShort( 0xffffef6 ), /* Offset= -266 (612) */
/* 880 */
                                0x12, 0x8, /* FC_UP [simple_pointer] */
/* 882 */ 0x1, /* FC_BYTE */
                                0x5c, /* FC_PAD */
/* 884 */
                                0x12, 0x8, /* FC_UP [simple_pointer] */
/* 886 */ 0x6, /* FC_SHORT */
                                0x5c, /* FC_PAD */
/* 888 */
                                0x12, 0x8, /* FC_UP [simple_pointer] */
/* 890 */ 0x8, /* FC_LONG */
                                0x5c, /* FC_PAD */
/* 892 */
                                0x12, 0x8, /* FC_UP [simple_pointer] */
/* 894 */ 0xa, /* FC_FLOAT */
                                0x5c, /* FC_PAD */
/* 896 */
                                0x12, 0x8, /* FC_UP [simple_pointer] */
/* 898 */ 0xc, /* FC_DOUBLE */
                                0x5c, /* FC_PAD */
/* 900 */
                                0x12, 0x0, /* FC_UP */
/* 902 */ NdrFcShort( 0xfffffd90 ), /* Offset= -624 (278) */
/* 904 */
                                0x12, 0x10, /* FC_UP [pointer_deref] */
/* 906 */ NdrFcShort( 0xfffffd92 ), /* Offset= -622 (284) */
/* 908 */
                                0x12, 0x10, /* FC_UP [pointer_deref] */
/* 910 */ NdrFcShort( 0xfffffda6 ), /* Offset= -602 (308) */
/* 912 */
                                0x12, 0x10, /* FC_UP [pointer_deref] */
/* 914 */ NdrFcShort( 0xfffffdb4 ), /* Offset= -588 (326) */
/* 916 */
                                0x12, 0x10, /* FC_UP [pointer_deref] */
/* 918 */ NdrFcShort( 0xfffffdc2 ), /* Offset= -574 (344) */
/* 920 */
                                0x12, 0x10, /* FC_UP [pointer_deref] */
/* 922 */ NdrFcShort( 0x2 ), /* Offset= 2 (924) */
/* 924 */
                                0x12, 0x0, /* FC_UP */
/* 926 */ NdrFcShort( 0x16 ), /* Offset= 22 (948) */
```

Appendix A - Application Source Code

```
/* 928 */
                                0x15,          /* FC_STRUCT */
                                0x7,          /* 7 */
/* 930 */ NdrFcShort( 0x10 ), /* 16 */
/* 932 */ 0x6,              /* FC_SHORT */
                                0x1,          /* FC_BYTE */
/* 934 */ 0x1,              /* FC_BYTE */
                                0x38,         /* FC_ALIGNM4 */
/* 936 */ 0x8,              /* FC_LONG */
                                0x39,         /* FC_ALIGNM8 */
/* 938 */ 0xb,              /* FC_HYPER */
                                0x5b,         /* FC_END */
/* 940 */
                                0x12, 0x0,     /* FC_UP */
/* 942 */ NdrFcShort( 0xffffffff2 ), /* Offset= -14 (928) */
/* 944 */
                                0x12, 0x8,     /* FC_UP [simple_pointer] */
/* 946 */ 0x2,              /* FC_CHAR */
                                0x5c,         /* FC_PAD */
/* 948 */
                                0x1a,          /* FC_BOGUS_STRUCT */
                                0x7,          /* 7 */
/* 950 */ NdrFcShort( 0x20 ), /* 32 */
/* 952 */ NdrFcShort( 0x0 ), /* 0 */
/* 954 */ NdrFcShort( 0x0 ), /* Offset= 0 (954) */
/* 956 */ 0x8,              /* FC_LONG */
                                0x8,          /* FC_LONG */
/* 958 */ 0x6,              /* FC_SHORT */
                                0x6,          /* FC_SHORT */
/* 960 */ 0x6,              /* FC_SHORT */
                                0x6,          /* FC_SHORT */
/* 962 */ 0x4c,             /* FC_EMBEDDED_COMPLEX */
                                0x0,          /* 0 */
/* 964 */ NdrFcShort( 0xffffffff42 ), /* Offset= -958 (6) */
/* 966 */ 0x5c,             /* FC_PAD */
                                0x5b,         /* FC_END */
/* 968 */ 0xb4,             /* FC_USER_MARSHAL */
                                0x83,         /* 131 */
/* 970 */ NdrFcShort( 0x0 ), /* 0 */
/* 972 */ NdrFcShort( 0x10 ), /* 16 */
/* 974 */ NdrFcShort( 0x0 ), /* 0 */
/* 976 */ NdrFcShort( 0xffffffff32 ), /* Offset= -974 (2) */
/* 978 */
                                0x11, 0x4,     /* FC_RP [allocated_on_stack] */
/* 980 */ NdrFcShort( 0x6 ), /* Offset= 6 (986) */
/* 982 */
                                0x13, 0x0,     /* FC_OP */
/* 984 */ NdrFcShort( 0xffffffffdc ), /* Offset= -36 (948) */
/* 986 */ 0xb4,             /* FC_USER_MARSHAL */
                                0x83,         /* 131 */
/* 988 */ NdrFcShort( 0x0 ), /* 0 */
/* 990 */ NdrFcShort( 0x10 ), /* 16 */
/* 992 */ NdrFcShort( 0x0 ), /* 0 */
/* 994 */ NdrFcShort( 0xfffffffff4 ), /* Offset= -12 (982) */
                                0x0
    }
};

const CInterfaceProxyVtbl * _tpcc_com_ps_ProxyVtblList[] =
{
    ( CInterfaceProxyVtbl *) &ITPCCProxyVtbl,
    0
};
```

```
};

const CInterfaceStubVtbl * _tpcc_com_ps_StubVtblList[] =
{
    ( CInterfaceStubVtbl *) &ITPCCStubVtbl,
    0
};

PCInterfaceName const _tpcc_com_ps_InterfaceNamesList[] =
{
    "ITPCC",
    0
};

#define _tpcc_com_ps_CHECK_IID(n) IID_GENERIC_CHECK_IID( _tpcc_com_ps, pIID, n)

int __stdcall _tpcc_com_ps_IID_Lookup( const IID * pIID, int * pIndex )
{
    if(!_tpcc_com_ps_CHECK_IID(0))
    {
        *pIndex = 0;
        return 1;
    }

    return 0;
}

const ExtendedProxyFileInfo tpcc_com_ps_ProxyFileInfo =
{
    (PCInterfaceProxyVtblList *) & _tpcc_com_ps_ProxyVtblList,
    (PCInterfaceStubVtblList *) & _tpcc_com_ps_StubVtblList,
    (const PCInterfaceName *) & _tpcc_com_ps_InterfaceNamesList,
    0, // no delegation
    & _tpcc_com_ps_IID_Lookup,
    1,
    2,
    0, /* table of [async_uuid] interfaces */
    0, /* Filler1 */
    0, /* Filler2 */
    0 /* Filler3 */
};

#endif /* !defined(_M_IA64) && !defined(_M_AXP64) */

#pragma warning( disable: 4049 ) /* more than 64k source lines */

/* this ALWAYS GENERATED file contains the proxy stub code */

/* File created by MIDL compiler version 5.03.0280 */
/* at Sat Apr 08 16:40:10 2000
*/
/* Compiler settings for .\src\tpcc_com_ps.idl:
    Oicf (OptLev=12), W1, Zp8, env=Win64 (32b run,appending), ms_ext, c_ext, robust
    error checks: allocation ref bounds_check enum stub_data
    VC __declspec() decoration level:
        __declspec(uuid()), __declspec(selectany), __declspec(novtable)
        DECLSPEC_UUID(), MIDL_INTERFACE()
*/
```


Appendix A - Application Source Code

```
//@MIDL_FILE_HEADING( )

#if defined(_M_IA64) || defined(_M_XPP64)
#define USE_STUBLESS_PROXY

/* verify that the <rpcproxy.h> version is high enough to compile this file*/
#ifndef __REDQ_RPCPROXY_H_VERSION__
#define __REQUIRED_RPCPROXY_H_VERSION__ 475
#endif

#include "rpcproxy.h"
#ifndef __RPCPROXY_H_VERSION__
#error this stub requires an updated version of <rpcproxy.h>
#endif // __RPCPROXY_H_VERSION__

#include "tpcc_com_ps.h"

#define TYPE_FORMAT_STRING_SIZE 979
#define PROC_FORMAT_STRING_SIZE 253
#define TRANSMIT_AS_TABLE_SIZE 0
#define WIRE_MARSHAL_TABLE_SIZE 1

typedef struct _MIDL_TYPE_FORMAT_STRING
{
    short Pad;
    unsigned char Format[ TYPE_FORMAT_STRING_SIZE ];
} MIDL_TYPE_FORMAT_STRING;

typedef struct _MIDL_PROC_FORMAT_STRING
{
    short Pad;
    unsigned char Format[ PROC_FORMAT_STRING_SIZE ];
} MIDL_PROC_FORMAT_STRING;

extern const MIDL_TYPE_FORMAT_STRING __MIDL_TypeFormatString;
extern const MIDL_PROC_FORMAT_STRING __MIDL_ProcFormatString;

/* Standard interface: __MIDL_itf_tpcc_com_ps_0000, ver. 0.0,
   GUID={0x00000000,0x0000,0x0000,{0x00,0x00,0x00,0x00,0x00,0x00,0x00,0x00}} */

/* Object interface: IUnknown, ver. 0.0,
   GUID={0x00000000,0x0000,0x0000,{0xC0,0x00,0x00,0x00,0x00,0x00,0x00,0x46}} */

/* Object interface: ITPCC, ver. 0.0,
   GUID={0xFEE6AA2,0x84B1,0x11d2,{0xBA,0x47,0x00,0xC0,0x4F,0xBF,0xE0,0x8B}} */

extern const MIDL_STUB_DESC Object_StubDesc;

extern const MIDL_SERVER_INFO ITPCC_ServerInfo;

#pragma code_seg(".orpc")
static const unsigned short ITPCC_FormatStringOffsetTable[] =
{
    0,
```

```
44,
88,
132,
176,
220
};

static const MIDL_SERVER_INFO ITPCC_ServerInfo =
{
    &Object_StubDesc,
    0,
    __MIDL_ProcFormatString.Format,
    &ITPCC_FormatStringOffsetTable[-3],
    0,
    0,
    0,
    0,
    0
};

static const MIDL_STUBLESS_PROXY_INFO ITPCC_ProxyInfo =
{
    &Object_StubDesc,
    __MIDL_ProcFormatString.Format,
    &ITPCC_FormatStringOffsetTable[-3],
    0,
    0,
    0
};

CINTERFACE_PROXY_VTABLE(9) _ITPCCProxyVtbl =
{
    &ITPCC_ProxyInfo,
    &IID_ITPCC,
    IUnknown_QueryInterface_Proxy,
    IUnknown_AddRef_Proxy,
    IUnknown_Release_Proxy ,
    (void *)-1 /* ITPCC::NewOrder */ ,
    (void *)-1 /* ITPCC::Payment */ ,
    (void *)-1 /* ITPCC::Delivery */ ,
    (void *)-1 /* ITPCC::StockLevel */ ,
    (void *)-1 /* ITPCC::OrderStatus */ ,
    (void *)-1 /* ITPCC::CallSetComplete */
};

const CInterfaceStubVtbl _ITPCCStubVtbl =
{
    &IID_ITPCC,
    &ITPCC_ServerInfo,
    9,
    0, /* pure interpreted */
    CStdStubBuffer_METHODS
};

extern const USER_MARSHAL_ROUTINE_QUADRUPLE UserMarshalRoutines[ WIRE_MARSHAL_TABLE_SIZE
];

static const MIDL_STUB_DESC Object_StubDesc =
{
    0,
    NdrOleAllocate,
    NdrOleFree,
    0,
    0,
```

Appendix A - Application Source Code

```
0,
0,
0,
_MIDL_TypeFormatString.Format,
1, /* -error bounds_check flag */
0x50002, /* Ndr library version */
0,
0x5030118, /* MIDL Version 5.3.280 */
0,
UserMarshalRoutines,
0, /* notify & notify_flag routine table */
0x1, /* MIDL flag */
0, /* Reserved3 */
0, /* Reserved4 */
0 /* Reserved5 */
};

#pragma data_seg(".rdata")

static const USER_MARSHAL_ROUTINE_QUADRUPLE UserMarshalRoutines[ WIRE_MARSHAL_TABLE_SIZE
] =
{
    {
        VARIANT_UserSize
        ,VARIANT_UserMarshal
        ,VARIANT_UserUnmarshal
        ,VARIANT_UserFree
    }
};

#if !defined(__RPC_WIN64__)
#error Invalid build platform for this stub.
#endif

static const MIDL_PROC_FORMAT_STRING __MIDL_ProcFormatString =
{
    0,
    {
        /* Procedure NewOrder */

        0x33, /* FC_AUTO_HANDLE */
        0x6c, /* Old Flags: object, Oi2 */
/* 2 */ NdrFcLong( 0x0 ), /* 0 */
/* 6 */ NdrFcShort( 0x3 ), /* 3 */
#ifdef _ALPHA_
/* 8 */ NdrFcShort( 0x38 ), /* ia64 Stack size/offset = 56 */
#else
NdrFcShort( 0x30 ), /* axp64 Stack size/offset = 48 */
#endif
/* 10 */ NdrFcShort( 0x0 ), /* 0 */
/* 12 */ NdrFcShort( 0x8 ), /* 8 */
/* 14 */ 0x47, /* Oi2 Flags: srv must size, clt must size, has return,
has ext, */
/* 16 */ 0xa, 0x3, /* 3 */
/* 10 */ /* 10 */
/* Ext Flags: new corr desc, clt corr
check, srv corr check, */
/* 18 */ NdrFcShort( 0x20 ), /* 32 */
/* 20 */ NdrFcShort( 0x20 ), /* 32 */
```

```
/* 22 */ NdrFcShort( 0x0 ), /* 0 */
/* 24 */ NdrFcShort( 0x0 ), /* 0 */

/* Parameter txn_in */

/* 26 */ NdrFcShort( 0x8b ), /* Flags: must size, must free, in, by val, */
#ifdef _ALPHA_
/* 28 */ NdrFcShort( 0x10 ), /* ia64 Stack size/offset = 16 */
#else
NdrFcShort( 0x8 ), /* axp64 Stack size/offset = 8 */
#endif
/* 30 */ NdrFcShort( 0x3b6 ), /* Type Offset=950 */

/* Parameter txn_out */

/* 32 */ NdrFcShort( 0x6113 ), /* Flags: must size, must free, out, simple ref,
srv alloc size=24 */
#ifdef _ALPHA_
/* 34 */ NdrFcShort( 0x28 ), /* ia64 Stack size/offset = 40 */
#else
NdrFcShort( 0x20 ), /* axp64 Stack size/offset = 32 */
#endif
/* 36 */ NdrFcShort( 0x3c8 ), /* Type Offset=968 */

/* Return value */

/* 38 */ NdrFcShort( 0x70 ), /* Flags: out, return, base type, */
#ifdef _ALPHA_
/* 40 */ NdrFcShort( 0x30 ), /* ia64 Stack size/offset = 48 */
#else
NdrFcShort( 0x28 ), /* axp64 Stack size/offset = 40 */
#endif
/* 42 */ 0x8, /* FC_LONG */
0x0, /* 0 */

/* Procedure Payment */

/* 44 */ 0x33, /* FC_AUTO_HANDLE */
0x6c, /* Old Flags: object, Oi2 */
/* 46 */ NdrFcLong( 0x0 ), /* 0 */
/* 50 */ NdrFcShort( 0x4 ), /* 4 */
#ifdef _ALPHA_
/* 52 */ NdrFcShort( 0x38 ), /* ia64 Stack size/offset = 56 */
#else
NdrFcShort( 0x30 ), /* axp64 Stack size/offset = 48 */
#endif
/* 54 */ NdrFcShort( 0x0 ), /* 0 */
/* 56 */ NdrFcShort( 0x8 ), /* 8 */
/* 58 */ 0x47, /* Oi2 Flags: srv must size, clt must size, has return,
has ext, */
/* 60 */ 0xa, 0x3, /* 3 */
/* 10 */ /* 10 */
/* Ext Flags: new corr desc, clt corr
check, srv corr check, */
/* 62 */ NdrFcShort( 0x20 ), /* 32 */
/* 64 */ NdrFcShort( 0x20 ), /* 32 */
/* 66 */ NdrFcShort( 0x0 ), /* 0 */
/* 68 */ NdrFcShort( 0x0 ), /* 0 */

/* Parameter txn_in */

/* 70 */ NdrFcShort( 0x8b ), /* Flags: must size, must free, in, by val, */
#ifdef _ALPHA_
```

Appendix A - Application Source Code

```
/* 72 */ NdrFcShort( 0x10 ), /* ia64 Stack size/offset = 16 */
#else
                NdrFcShort( 0x8 ), /* axp64 Stack size/offset = 8 */
#endif
/* 74 */ NdrFcShort( 0x3b6 ), /* Type Offset=950 */

        /* Parameter txn_out */

/* 76 */ NdrFcShort( 0x6113 ), /* Flags: must size, must free, out, simple ref,
srv alloc size=24 */
#ifdef _ALPHA_
/* 78 */ NdrFcShort( 0x28 ), /* ia64 Stack size/offset = 40 */
#else
                NdrFcShort( 0x20 ), /* axp64 Stack size/offset = 32 */
#endif
/* 80 */ NdrFcShort( 0x3c8 ), /* Type Offset=968 */

        /* Return value */

/* 82 */ NdrFcShort( 0x70 ), /* Flags: out, return, base type, */
#ifdef _ALPHA_
/* 84 */ NdrFcShort( 0x30 ), /* ia64 Stack size/offset = 48 */
#else
                NdrFcShort( 0x28 ), /* axp64 Stack size/offset = 40 */
#endif
/* 86 */ 0x8, /* FC_LONG */
        0x0, /* 0 */

        /* Procedure Delivery */

/* 88 */ 0x33, /* FC_AUTO_HANDLE */
        0x6c, /* Old Flags: object, Oi2 */

/* 90 */ NdrFcLong( 0x0 ), /* 0 */
/* 94 */ NdrFcShort( 0x5 ), /* 5 */
#ifdef _ALPHA_
/* 96 */ NdrFcShort( 0x38 ), /* ia64 Stack size/offset = 56 */
#else
                NdrFcShort( 0x30 ), /* axp64 Stack size/offset = 48 */
#endif
/* 98 */ NdrFcShort( 0x0 ), /* 0 */
/* 100 */ NdrFcShort( 0x8 ), /* 8 */
/* 102 */ 0x47, /* Oi2 Flags: srv must size, clt must size, has return,
has ext, */
        0x3, /* 3 */
/* 104 */ 0xa, /* 10 */
        0x7, /* Ext Flags: new corr desc, clt corr
check, srv corr check, */
/* 106 */ NdrFcShort( 0x20 ), /* 32 */
/* 108 */ NdrFcShort( 0x20 ), /* 32 */
/* 110 */ NdrFcShort( 0x0 ), /* 0 */
/* 112 */ NdrFcShort( 0x0 ), /* 0 */

        /* Parameter txn_in */

/* 114 */ NdrFcShort( 0x8b ), /* Flags: must size, must free, in, by val, */
#ifdef _ALPHA_
/* 116 */ NdrFcShort( 0x10 ), /* ia64 Stack size/offset = 16 */
#else
                NdrFcShort( 0x8 ), /* axp64 Stack size/offset = 8 */
#endif
/* 118 */ NdrFcShort( 0x3b6 ), /* Type Offset=950 */

        /* Parameter txn_out */
```

```
/* 120 */ NdrFcShort( 0x6113 ), /* Flags: must size, must free, out, simple ref,
srv alloc size=24 */
#ifdef _ALPHA_
/* 122 */ NdrFcShort( 0x28 ), /* ia64 Stack size/offset = 40 */
#else
                NdrFcShort( 0x20 ), /* axp64 Stack size/offset = 32 */
#endif
/* 124 */ NdrFcShort( 0x3c8 ), /* Type Offset=968 */

        /* Return value */

/* 126 */ NdrFcShort( 0x70 ), /* Flags: out, return, base type, */
#ifdef _ALPHA_
/* 128 */ NdrFcShort( 0x30 ), /* ia64 Stack size/offset = 48 */
#else
                NdrFcShort( 0x28 ), /* axp64 Stack size/offset = 40 */
#endif
/* 130 */ 0x8, /* FC_LONG */
        0x0, /* 0 */

        /* Procedure StockLevel */

/* 132 */ 0x33, /* FC_AUTO_HANDLE */
        0x6c, /* Old Flags: object, Oi2 */

/* 134 */ NdrFcLong( 0x0 ), /* 0 */
/* 138 */ NdrFcShort( 0x6 ), /* 6 */
#ifdef _ALPHA_
/* 140 */ NdrFcShort( 0x38 ), /* ia64 Stack size/offset = 56 */
#else
                NdrFcShort( 0x30 ), /* axp64 Stack size/offset = 48 */
#endif
/* 142 */ NdrFcShort( 0x0 ), /* 0 */
/* 144 */ NdrFcShort( 0x8 ), /* 8 */
/* 146 */ 0x47, /* Oi2 Flags: srv must size, clt must size, has return,
has ext, */
        0x3, /* 3 */
/* 148 */ 0xa, /* 10 */
        0x7, /* Ext Flags: new corr desc, clt corr
check, srv corr check, */
/* 150 */ NdrFcShort( 0x20 ), /* 32 */
/* 152 */ NdrFcShort( 0x20 ), /* 32 */
/* 154 */ NdrFcShort( 0x0 ), /* 0 */
/* 156 */ NdrFcShort( 0x0 ), /* 0 */

        /* Parameter txn_in */

/* 158 */ NdrFcShort( 0x8b ), /* Flags: must size, must free, in, by val, */
#ifdef _ALPHA_
/* 160 */ NdrFcShort( 0x10 ), /* ia64 Stack size/offset = 16 */
#else
                NdrFcShort( 0x8 ), /* axp64 Stack size/offset = 8 */
#endif
/* 162 */ NdrFcShort( 0x3b6 ), /* Type Offset=950 */

        /* Parameter txn_out */

/* 164 */ NdrFcShort( 0x6113 ), /* Flags: must size, must free, out, simple ref,
srv alloc size=24 */
#ifdef _ALPHA_
/* 166 */ NdrFcShort( 0x28 ), /* ia64 Stack size/offset = 40 */
#else
                NdrFcShort( 0x20 ), /* axp64 Stack size/offset = 32 */
```

Appendix A - Application Source Code

```
#endif
/* 168 */ NdrFcShort( 0x3c8 ), /* Type Offset=968 */

/* Return value */

/* 170 */ NdrFcShort( 0x70 ), /* Flags: out, return, base type, */
#ifdef _ALPHA_
/* 172 */ NdrFcShort( 0x30 ), /* ia64 Stack size/offset = 48 */
#else
NdrFcShort( 0x28 ), /* axp64 Stack size/offset = 40 */
#endif
/* 174 */ 0x8, /* FC_LONG */
0x0, /* 0 */

/* Procedure OrderStatus */

/* 176 */ 0x33, /* FC_AUTO_HANDLE */
0x6c, /* Old Flags: object, Oi2 */
/* 178 */ NdrFcLong( 0x0 ), /* 0 */
/* 182 */ NdrFcShort( 0x7 ), /* 7 */
#ifdef _ALPHA_
/* 184 */ NdrFcShort( 0x38 ), /* ia64 Stack size/offset = 56 */
#else
NdrFcShort( 0x30 ), /* axp64 Stack size/offset = 48 */
#endif
/* 186 */ NdrFcShort( 0x0 ), /* 0 */
/* 188 */ NdrFcShort( 0x8 ), /* 8 */
/* 190 */ 0x47, /* Oi2 Flags: srv must size, clt must size, has return,
has ext, */
0x3, /* 3 */
/* 192 */ 0xa, /* 10 */
0x7, /* Ext Flags: new corr desc, clt corr
check, srv corr check, */
/* 194 */ NdrFcShort( 0x20 ), /* 32 */
/* 196 */ NdrFcShort( 0x20 ), /* 32 */
/* 198 */ NdrFcShort( 0x0 ), /* 0 */
/* 200 */ NdrFcShort( 0x0 ), /* 0 */

/* Parameter txn_in */

/* 202 */ NdrFcShort( 0x8b ), /* Flags: must size, must free, in, by val, */
#ifdef _ALPHA_
/* 204 */ NdrFcShort( 0x10 ), /* ia64 Stack size/offset = 16 */
#else
NdrFcShort( 0x8 ), /* axp64 Stack size/offset = 8 */
#endif
/* 206 */ 0x3b6, /* Type Offset=950 */

/* Parameter txn_out */

/* 208 */ NdrFcShort( 0x6113 ), /* Flags: must size, must free, out, simple ref,
srv alloc size=24 */
#ifdef _ALPHA_
/* 210 */ NdrFcShort( 0x28 ), /* ia64 Stack size/offset = 40 */
#else
NdrFcShort( 0x20 ), /* axp64 Stack size/offset = 32 */
#endif
/* 212 */ NdrFcShort( 0x3c8 ), /* Type Offset=968 */

/* Return value */

/* 214 */ NdrFcShort( 0x70 ), /* Flags: out, return, base type, */
#ifdef _ALPHA_
```

```
/* 216 */ NdrFcShort( 0x30 ), /* ia64 Stack size/offset = 48 */
#else
NdrFcShort( 0x28 ), /* axp64 Stack size/offset = 40 */
#endif
/* 218 */ 0x8, /* FC_LONG */
0x0, /* 0 */

/* Procedure CallSetComplete */

/* 220 */ 0x33, /* FC_AUTO_HANDLE */
0x6c, /* Old Flags: object, Oi2 */
/* 222 */ NdrFcLong( 0x0 ), /* 0 */
/* 226 */ NdrFcShort( 0x8 ), /* 8 */
/* 228 */ NdrFcShort( 0x10 ), /* ia64, axp64 Stack size/offset = 16 */
/* 230 */ NdrFcShort( 0x0 ), /* 0 */
/* 232 */ NdrFcShort( 0x8 ), /* 8 */
/* 234 */ 0x44, /* Oi2 Flags: has return, has ext, */
0x1, /* 1 */
/* 236 */ 0xa, /* 10 */
0x1, /* Ext Flags: new corr desc, */
/* 238 */ NdrFcShort( 0x0 ), /* 0 */
/* 240 */ NdrFcShort( 0x0 ), /* 0 */
/* 242 */ NdrFcShort( 0x0 ), /* 0 */
/* 244 */ NdrFcShort( 0x0 ), /* 0 */

/* Return value */

/* 246 */ NdrFcShort( 0x70 ), /* Flags: out, return, base type, */
/* 248 */ NdrFcShort( 0x8 ), /* ia64, axp64 Stack size/offset = 8 */
/* 250 */ 0x8, /* FC_LONG */
0x0, /* 0 */

0x0

}
};

static const MIDL_TYPE_FORMAT_STRING __MIDL_TypeFormatString =
{
0,
{
/* 2 */ NdrFcShort( 0x0 ), /* 0 */
/* 4 */ NdrFcShort( 0x39e ), /* Offset= 926 (930) */
/* 6 */
0x2b, /* FC_NON_ENCAPSULATED_UNION */
0x9, /* FC_ULONG */
/* 8 */ 0x7, /* Corr desc: FC_USHORT */
0x0, /* */
/* 10 */ NdrFcShort( 0xffff8 ), /* -8 */
/* 12 */ NdrFcShort( 0x1 ), /* Corr flags: early, */
/* 14 */ NdrFcShort( 0x2 ), /* Offset= 2 (16) */
/* 16 */ NdrFcShort( 0x10 ), /* 16 */
/* 18 */ NdrFcShort( 0x2b ), /* 43 */
/* 20 */ NdrFcLong( 0x3 ), /* 3 */
/* 24 */ NdrFcShort( 0x8008 ), /* Simple arm type: FC_LONG */
/* 26 */ NdrFcLong( 0x11 ), /* 17 */
/* 30 */ NdrFcShort( 0x8001 ), /* Simple arm type: FC_BYTE */
/* 32 */ NdrFcLong( 0x2 ), /* 2 */
/* 36 */ NdrFcShort( 0x8006 ), /* Simple arm type: FC_SHORT */
/* 38 */ NdrFcLong( 0x4 ), /* 4 */
/* 42 */ NdrFcShort( 0x800a ), /* Simple arm type: FC_FLOAT */
/* 44 */ NdrFcLong( 0x5 ), /* 5 */
```

Appendix A - Application Source Code

```
/* 48 */ NdrFcShort( 0x800c ), /* Simple arm type: FC_DOUBLE */
/* 50 */ NdrFcLong( 0xb ), /* 11 */
/* 54 */ NdrFcShort( 0x8006 ), /* Simple arm type: FC_SHORT */
/* 56 */ NdrFcLong( 0xa ), /* 10 */
/* 60 */ NdrFcShort( 0x8008 ), /* Simple arm type: FC_LONG */
/* 62 */ NdrFcLong( 0x6 ), /* 6 */
/* 66 */ NdrFcShort( 0xd6 ), /* Offset= 214 (280) */
/* 68 */ NdrFcLong( 0x7 ), /* 7 */
/* 72 */ NdrFcShort( 0x800c ), /* Simple arm type: FC_DOUBLE */
/* 74 */ NdrFcLong( 0x8 ), /* 8 */
/* 78 */ NdrFcShort( 0xd0 ), /* Offset= 208 (286) */
/* 80 */ NdrFcLong( 0xd ), /* 13 */
/* 84 */ NdrFcShort( 0xe4 ), /* Offset= 228 (312) */
/* 86 */ NdrFcLong( 0x9 ), /* 9 */
/* 90 */ NdrFcShort( 0xf0 ), /* Offset= 240 (330) */
/* 92 */ NdrFcLong( 0x2000 ), /* 8192 */
/* 96 */ NdrFcShort( 0xfc ), /* Offset= 252 (348) */
/* 98 */ NdrFcLong( 0x24 ), /* 36 */
/* 102 */ NdrFcShort( 0x2f4 ), /* Offset= 756 (858) */
/* 104 */ NdrFcLong( 0x4024 ), /* 16420 */
/* 108 */ NdrFcShort( 0x2ee ), /* Offset= 750 (858) */
/* 110 */ NdrFcLong( 0x4011 ), /* 16401 */
/* 114 */ NdrFcShort( 0x2ec ), /* Offset= 748 (862) */
/* 116 */ NdrFcLong( 0x4002 ), /* 16386 */
/* 120 */ NdrFcShort( 0x2ea ), /* Offset= 746 (866) */
/* 122 */ NdrFcLong( 0x4003 ), /* 16387 */
/* 126 */ NdrFcShort( 0x2e8 ), /* Offset= 744 (870) */
/* 128 */ NdrFcLong( 0x4004 ), /* 16388 */
/* 132 */ NdrFcShort( 0x2e6 ), /* Offset= 742 (874) */
/* 134 */ NdrFcLong( 0x4005 ), /* 16389 */
/* 138 */ NdrFcShort( 0x2e4 ), /* Offset= 740 (878) */
/* 140 */ NdrFcLong( 0x400b ), /* 16395 */
/* 144 */ NdrFcShort( 0x2d2 ), /* Offset= 722 (866) */
/* 146 */ NdrFcLong( 0x400a ), /* 16394 */
/* 150 */ NdrFcShort( 0x2d0 ), /* Offset= 720 (870) */
/* 152 */ NdrFcLong( 0x4006 ), /* 16390 */
/* 156 */ NdrFcShort( 0x2d6 ), /* Offset= 726 (882) */
/* 158 */ NdrFcLong( 0x4007 ), /* 16391 */
/* 162 */ NdrFcShort( 0x2cc ), /* Offset= 716 (878) */
/* 164 */ NdrFcLong( 0x4008 ), /* 16392 */
/* 168 */ NdrFcShort( 0x2ce ), /* Offset= 718 (886) */
/* 170 */ NdrFcLong( 0x400d ), /* 16397 */
/* 174 */ NdrFcShort( 0x2cc ), /* Offset= 716 (890) */
/* 176 */ NdrFcLong( 0x4009 ), /* 16393 */
/* 180 */ NdrFcShort( 0x2ca ), /* Offset= 714 (894) */
/* 182 */ NdrFcLong( 0x6000 ), /* 24576 */
/* 186 */ NdrFcShort( 0x2c8 ), /* Offset= 712 (898) */
/* 188 */ NdrFcLong( 0x400c ), /* 16396 */
/* 192 */ NdrFcShort( 0x2c6 ), /* Offset= 710 (902) */
/* 194 */ NdrFcLong( 0x10 ), /* 16 */
/* 198 */ NdrFcShort( 0x8002 ), /* Simple arm type: FC_CHAR */
/* 200 */ NdrFcLong( 0x12 ), /* 18 */
/* 204 */ NdrFcShort( 0x8006 ), /* Simple arm type: FC_SHORT */
/* 206 */ NdrFcLong( 0x13 ), /* 19 */
/* 210 */ NdrFcShort( 0x8008 ), /* Simple arm type: FC_LONG */
/* 212 */ NdrFcLong( 0x16 ), /* 22 */
/* 216 */ NdrFcShort( 0x8008 ), /* Simple arm type: FC_LONG */
/* 218 */ NdrFcLong( 0x17 ), /* 23 */
/* 222 */ NdrFcShort( 0x8008 ), /* Simple arm type: FC_LONG */
/* 224 */ NdrFcLong( 0xe ), /* 14 */
/* 228 */ NdrFcShort( 0x2aa ), /* Offset= 682 (910) */
/* 230 */ NdrFcLong( 0x400e ), /* 16398 */
/* 234 */ NdrFcShort( 0x2b0 ), /* Offset= 688 (922) */

/* 236 */ NdrFcLong( 0x4010 ), /* 16400 */
/* 240 */ NdrFcShort( 0x2ae ), /* Offset= 686 (926) */
/* 242 */ NdrFcLong( 0x4012 ), /* 16402 */
/* 246 */ NdrFcShort( 0x26c ), /* Offset= 620 (866) */
/* 248 */ NdrFcLong( 0x4013 ), /* 16403 */
/* 252 */ NdrFcShort( 0x26a ), /* Offset= 618 (870) */
/* 254 */ NdrFcLong( 0x4016 ), /* 16406 */
/* 258 */ NdrFcShort( 0x264 ), /* Offset= 612 (870) */
/* 260 */ NdrFcLong( 0x4017 ), /* 16407 */
/* 264 */ NdrFcShort( 0x25e ), /* Offset= 606 (870) */
/* 266 */ NdrFcLong( 0x0 ), /* 0 */
/* 270 */ NdrFcShort( 0x0 ), /* Offset= 0 (270) */
/* 272 */ NdrFcLong( 0x1 ), /* 1 */
/* 276 */ NdrFcShort( 0x0 ), /* Offset= 0 (276) */
/* 278 */ NdrFcShort( 0xffffffff ), /* Offset= -1 (277) */
/* 280 */

/* 282 */ NdrFcShort( 0x8 ), /* 8 */
/* 284 */ 0xb, /* FC_HYPER */
/* 286 */ 0x5b, /* FC_END */

/* 288 */ NdrFcShort( 0xe ), /* FC_UP */
/* 290 */ 0x12, 0x0, /* Offset= 14 (302) */

/* 292 */ NdrFcShort( 0x2 ), /* 2 */
/* 294 */ 0x9, /* Corr desc: FC_ULONG */
/* 296 */ 0x0, /* -4 */
/* 298 */ NdrFcShort( 0x1 ), /* Corr flags: early, */
/* 300 */ 0x6, /* FC_SHORT */
/* 302 */ 0x5b, /* FC_END */

/* 304 */ NdrFcShort( 0x8 ), /* 8 */
/* 306 */ NdrFcShort( 0xffffffff ), /* Offset= -16 (290) */
/* 308 */ 0x8, /* FC_LONG */
/* 310 */ 0x5c, /* FC_PAD */
/* 312 */ 0x5b, /* FC_END */

/* 314 */ NdrFcLong( 0x2E, /* FC_IP */
/* 316 */ 0x5a, /* FC_CONSTANT_IID */
/* 318 */ 0x0 ), /* 0 */
/* 320 */ NdrFcShort( 0x0 ), /* 0 */
/* 322 */ 0xc0, /* 192 */
/* 324 */ 0x0, /* 0 */
/* 326 */ 0x0, /* 0 */
/* 328 */ 0x0, /* 0 */
/* 330 */ 0x0, /* 0 */
/* 332 */ 0x0, /* 0 */
/* 334 */ 0x46, /* 70 */

/* 332 */ NdrFcLong( 0x2E, /* FC_IP */
/* 334 */ 0x5a, /* FC_CONSTANT_IID */
/* 336 */ 0x0 ), /* 0 */
/* 338 */ NdrFcShort( 0x0 ), /* 0 */
```

Appendix A - Application Source Code

```
/* 340 */ 0xc0, /* 192 */
/* 342 */ 0x0, /* 0 */
/* 344 */ 0x0, /* 0 */
/* 346 */ 0x0, /* 0 */
/* 348 */ 0x46, /* 70 */
/* 350 */ NdrFcShort( 0x2 ), /* Offset= 2 (352) */
/* 352 */ 0x12, 0x10, /* FC_UP [pointer_deref] */
/* 354 */ NdrFcShort( 0x1e6 ), /* Offset= 486 (840) */
/* 356 */ 0x12, 0x0, /* FC_UP */
/* 358 */ 0x2a, /* FC_ENCAPSULATED_UNION */
/* 360 */ 0x89, /* 137 */
/* 362 */ NdrFcShort( 0x20 ), /* 32 */
/* 364 */ NdrFcShort( 0xa ), /* 10 */
/* 366 */ NdrFcLong( 0x8 ), /* 8 */
/* 368 */ NdrFcShort( 0x50 ), /* Offset= 80 (446) */
/* 370 */ NdrFcLong( 0xd ), /* 13 */
/* 372 */ NdrFcShort( 0x70 ), /* Offset= 112 (484) */
/* 374 */ NdrFcLong( 0x9 ), /* 9 */
/* 376 */ NdrFcShort( 0x90 ), /* Offset= 144 (522) */
/* 378 */ NdrFcLong( 0xc ), /* 12 */
/* 380 */ NdrFcShort( 0xb0 ), /* Offset= 176 (560) */
/* 382 */ NdrFcLong( 0x24 ), /* 36 */
/* 384 */ NdrFcShort( 0x104 ), /* Offset= 260 (650) */
/* 386 */ NdrFcLong( 0x800d ), /* 32781 */
/* 388 */ NdrFcShort( 0x120 ), /* Offset= 288 (684) */
/* 390 */ NdrFcLong( 0x10 ), /* 16 */
/* 392 */ NdrFcShort( 0x13a ), /* Offset= 314 (716) */
/* 394 */ NdrFcLong( 0x2 ), /* 2 */
/* 396 */ NdrFcShort( 0x150 ), /* Offset= 336 (744) */
/* 398 */ NdrFcLong( 0x3 ), /* 3 */
/* 400 */ NdrFcShort( 0x166 ), /* Offset= 358 (772) */
/* 402 */ NdrFcLong( 0x14 ), /* 20 */
/* 404 */ NdrFcShort( 0x17c ), /* Offset= 380 (800) */
/* 406 */ NdrFcShort( 0xfffffff ), /* Offset= -1 (421) */
/* 408 */ 0x21, /* FC_BOGUS_ARRAY */
/* 410 */ 0x3, /* 3 */
/* 412 */ NdrFcShort( 0x0 ), /* 0 */
/* 414 */ 0x19, /* Corr desc: field pointer, FC_ULONG */
/* 416 */ 0x0, /* */
/* 418 */ NdrFcShort( 0x0 ), /* 0 */
/* 420 */ NdrFcShort( 0x1 ), /* Corr flags: early, */
/* 422 */ NdrFcLong( 0xfffffff ), /* -1 */
/* 424 */ NdrFcShort( 0x0 ), /* Corr flags: */
/* 426 */ 0x12, 0x0, /* FC_UP */
/* 428 */ NdrFcShort( 0xfffff74 ), /* Offset= -140 (302) */
/* 430 */ 0x5c, /* FC_PAD */
/* 432 */ 0x5b, /* FC_END */
/* 434 */ 0x1a, /* FC_BOGUS_STRUCT */
/* 436 */ 0x3, /* 3 */
/* 438 */ NdrFcShort( 0x10 ), /* 16 */
/* 440 */ NdrFcShort( 0x0 ), /* 0 */
/* 442 */ NdrFcShort( 0x6 ), /* Offset= 6 (458) */
/* 444 */ 0x8, /* FC_LONG */
/* 446 */ 0x39, /* FC_ALIGNM8 */
/* 448 */ 0x36, /* FC_POINTER */
/* 450 */ 0x5b, /* FC_END */
/* 452 */ 0x11, 0x0, /* FC_RP */
/* 454 */ NdrFcShort( 0xfffffddc ), /* Offset= -36 (424) */
/* 456 */ 0x21, /* FC_BOGUS_ARRAY */
/* 458 */ 0x3, /* 3 */
/* 460 */ NdrFcShort( 0xfffffddc ), /* Offset= -36 (424) */
/* 462 */ 0x21, /* FC_BOGUS_ARRAY */
/* 464 */ 0x3, /* 3 */
/* 466 */ NdrFcShort( 0x0 ), /* 0 */
/* 468 */ 0x19, /* Corr desc: field pointer, FC_ULONG */
/* 470 */ 0x0, /* */
/* 472 */ NdrFcShort( 0x0 ), /* 0 */
/* 474 */ NdrFcShort( 0x1 ), /* Corr flags: early, */
/* 476 */ NdrFcLong( 0xfffffff ), /* -1 */
/* 478 */ NdrFcShort( 0x0 ), /* Corr flags: */
/* 480 */ 0x4c, /* FC_EMBEDDED_COMPLEX */
/* 482 */ 0x0, /* 0 */
/* 484 */ NdrFcShort( 0xfffff58 ), /* Offset= -168 (312) */
/* 486 */ 0x5c, /* FC_PAD */
/* 488 */ 0x5b, /* FC_END */
/* 490 */ 0x1a, /* FC_BOGUS_STRUCT */
/* 492 */ 0x3, /* 3 */
/* 494 */ NdrFcShort( 0x10 ), /* 16 */
/* 496 */ NdrFcShort( 0x0 ), /* 0 */
/* 498 */ NdrFcShort( 0x6 ), /* Offset= 6 (496) */
/* 500 */ 0x8, /* FC_LONG */
/* 502 */ 0x39, /* FC_ALIGNM8 */
/* 504 */ 0x36, /* FC_POINTER */
/* 506 */ 0x5b, /* FC_END */
/* 508 */ 0x11, 0x0, /* FC_RP */
/* 510 */ NdrFcShort( 0xfffffddc ), /* Offset= -36 (462) */
/* 512 */ 0x21, /* FC_BOGUS_ARRAY */
/* 514 */ 0x3, /* 3 */
/* 516 */ NdrFcShort( 0x0 ), /* 0 */
/* 518 */ 0x19, /* Corr desc: field pointer, FC_ULONG */
/* 520 */ 0x0, /* */
/* 522 */ NdrFcShort( 0x0 ), /* 0 */
/* 524 */ NdrFcShort( 0x1 ), /* Corr flags: early, */
/* 526 */ NdrFcLong( 0xfffffff ), /* -1 */
/* 528 */ NdrFcShort( 0x0 ), /* Corr flags: */
/* 530 */ 0x4c, /* FC_EMBEDDED_COMPLEX */
/* 532 */ 0x0, /* 0 */
/* 534 */ NdrFcShort( 0xfffff44 ), /* Offset= -188 (330) */
/* 536 */ 0x5c, /* FC_PAD */
/* 538 */ 0x5b, /* FC_END */
/* 540 */ 0x1a, /* FC_BOGUS_STRUCT */
/* 542 */ 0x3, /* 3 */
/* 544 */ NdrFcShort( 0x10 ), /* 16 */
/* 546 */ NdrFcShort( 0x0 ), /* 0 */
/* 548 */ NdrFcShort( 0x6 ), /* Offset= 6 (534) */
/* 550 */ 0x8, /* FC_LONG */
/* 552 */ 0x39, /* FC_ALIGNM8 */
/* 554 */ 0x36, /* FC_POINTER */
/* 556 */ 0x5b, /* FC_END */
/* 558 */ 0x11, 0x0, /* FC_RP */
/* 560 */ NdrFcShort( 0xfffffddc ), /* Offset= -36 (500) */
/* 562 */ 0x21, /* FC_BOGUS_ARRAY */
```

Appendix A - Application Source Code

```
0x3, /* 3 */
/* 540 */ NdrFcShort( 0x0 ), /* 0 */
/* 542 */ 0x19, /* Corr desc: field pointer, FC_ULONG */
0x0, /* */
/* 544 */ NdrFcShort( 0x0 ), /* 0 */
/* 546 */ NdrFcShort( 0x1 ), /* Corr flags: early, */
/* 548 */ NdrFcLong( 0xffffffff ), /* -1 */
/* 552 */ NdrFcShort( 0x0 ), /* Corr flags: */
/* 554 */

0x12, 0x0, /* FC_UP */
/* 556 */ NdrFcShort( 0x176 ), /* Offset= 374 (930) */
/* 558 */ 0x5c, /* FC_PAD */
0x5b, /* FC_END */

/* 560 */

0x1a, /* FC_BOGUS_STRUCT */
0x3, /* 3 */

/* 562 */ NdrFcShort( 0x10 ), /* 16 */
/* 564 */ NdrFcShort( 0x0 ), /* 0 */
/* 566 */ NdrFcShort( 0x6 ), /* Offset= 6 (572) */
/* 568 */ 0x8, /* FC_LONG */
0x39, /* FC_ALIGNM8 */
/* 570 */ 0x36, /* FC_POINTER */
0x5b, /* FC_END */

/* 572 */

0x11, 0x0, /* FC_RP */
/* 574 */ NdrFcShort( 0xffffffffc ), /* Offset= -36 (538) */
/* 576 */

0x2f, /* FC_IP */
0x5a, /* FC_CONSTANT_IID */

/* 578 */ NdrFcLong( 0x2f ), /* 47 */
/* 582 */ NdrFcShort( 0x0 ), /* 0 */
/* 584 */ NdrFcShort( 0x0 ), /* 0 */
/* 586 */ 0xc0, /* 192 */
0x0, /* 0 */
/* 588 */ 0x0, /* 0 */
0x0, /* 0 */
/* 590 */ 0x0, /* 0 */
0x0, /* 0 */
/* 592 */ 0x0, /* 0 */
0x46, /* 70 */

/* 594 */

0x1b, /* FC_CARRAY */
0x0, /* 0 */

/* 596 */ NdrFcShort( 0x1 ), /* 1 */
/* 598 */ 0x19, /* Corr desc: field pointer, FC_ULONG */
0x0, /* */

/* 600 */ NdrFcShort( 0x4 ), /* 4 */
/* 602 */ NdrFcShort( 0x1 ), /* Corr flags: early, */
/* 604 */ 0x1, /* FC_BYTE */
0x5b, /* FC_END */

/* 606 */

0x1a, /* FC_BOGUS_STRUCT */
0x3, /* 3 */

/* 608 */ NdrFcShort( 0x18 ), /* 24 */
/* 610 */ NdrFcShort( 0x0 ), /* 0 */
/* 612 */ NdrFcShort( 0xc ), /* Offset= 12 (624) */
/* 614 */ 0x8, /* FC_LONG */
0x8, /* FC_LONG */
/* 616 */ 0x4c, /* FC_EMBEDDED_COMPLEX */
0x0, /* 0 */

/* 618 */ NdrFcShort( 0xffffffffd6 ), /* Offset= -42 (576) */
/* 620 */ 0x39, /* FC_ALIGNM8 */
0x36, /* FC_POINTER */
```

```
/* 622 */ 0x5c, /* FC_PAD */
0x5b, /* FC_END */

/* 624 */

0x12, 0x0, /* FC_UP */
/* 626 */ NdrFcShort( 0xffffffffe0 ), /* Offset= -32 (594) */
/* 628 */

0x21, /* FC_BOGUS_ARRAY */
0x3, /* 3 */

/* 630 */ NdrFcShort( 0x0 ), /* 0 */
/* 632 */ 0x19, /* Corr desc: field pointer, FC_ULONG */
0x0, /* */

/* 634 */ NdrFcShort( 0x0 ), /* 0 */
/* 636 */ NdrFcShort( 0x1 ), /* Corr flags: early, */
/* 638 */ NdrFcLong( 0xffffffff ), /* -1 */
/* 642 */ NdrFcShort( 0x0 ), /* Corr flags: */
/* 644 */

0x12, 0x0, /* FC_UP */
/* 646 */ NdrFcShort( 0xffffffffd8 ), /* Offset= -40 (606) */
/* 648 */ 0x5c, /* FC_PAD */
0x5b, /* FC_END */

/* 650 */

0x1a, /* FC_BOGUS_STRUCT */
0x3, /* 3 */

/* 652 */ NdrFcShort( 0x10 ), /* 16 */
/* 654 */ NdrFcShort( 0x0 ), /* 0 */
/* 656 */ NdrFcShort( 0x6 ), /* Offset= 6 (662) */
/* 658 */ 0x8, /* FC_LONG */
0x39, /* FC_ALIGNM8 */
/* 660 */ 0x36, /* FC_POINTER */
0x5b, /* FC_END */

/* 662 */

0x11, 0x0, /* FC_RP */
/* 664 */ NdrFcShort( 0xffffffffc ), /* Offset= -36 (628) */
/* 666 */

0x1d, /* FC_SMFARRAY */
0x0, /* 0 */
/* 668 */ NdrFcShort( 0x8 ), /* 8 */
/* 670 */ 0x2, /* FC_CHAR */
0x5b, /* FC_END */

/* 672 */

0x15, /* FC_STRUCT */
0x3, /* 3 */

/* 674 */ NdrFcShort( 0x10 ), /* 16 */
/* 676 */ 0x8, /* FC_LONG */
0x6, /* FC_SHORT */
/* 678 */ 0x6, /* FC_SHORT */
0x4c, /* FC_EMBEDDED_COMPLEX */
/* 680 */ 0x0, /* 0 */
NdrFcShort( 0xfffffffff1 ), /* Offset= -15 (666) */
0x5b, /* FC_END */

/* 684 */

0x1a, /* FC_BOGUS_STRUCT */
0x3, /* 3 */

/* 686 */ NdrFcShort( 0x20 ), /* 32 */
/* 688 */ NdrFcShort( 0x0 ), /* 0 */
/* 690 */ NdrFcShort( 0xa ), /* Offset= 10 (700) */
/* 692 */ 0x8, /* FC_LONG */
0x39, /* FC_ALIGNM8 */
/* 694 */ 0x36, /* FC_POINTER */
0x4c, /* FC_EMBEDDED_COMPLEX */
/* 696 */ 0x0, /* 0 */
NdrFcShort( 0xffffffffe7 ), /* Offset= -25 (672) */
0x5b, /* FC_END */
```

Appendix A - Application Source Code

```
/* 700 */
                                0x11, 0x0,          /* FC_RP */
/* 702 */ NdrFcShort( 0xffffffff10 ), /* Offset= -240 (462) */
/* 704 */
                                0x1b,          /* FC_CARRAY */
                                0x0,          /* 0 */
/* 706 */ NdrFcShort( 0x1 ), /* 1 */
/* 708 */ 0x19, /* Corr desc: field pointer, FC_ULONG */
                                0x0,          /* */
/* 710 */ NdrFcShort( 0x0 ), /* 0 */
/* 712 */ NdrFcShort( 0x1 ), /* Corr flags: early, */
/* 714 */ 0x1, /* FC_BYTE */
                                0x5b,          /* FC_END */
/* 716 */
                                0x1a,          /* FC_BOGUS_STRUCT */
                                0x3,          /* 3 */
/* 718 */ NdrFcShort( 0x10 ), /* 16 */
/* 720 */ NdrFcShort( 0x0 ), /* 0 */
/* 722 */ NdrFcShort( 0x6 ), /* Offset= 6 (728) */
/* 724 */ 0x8, /* FC_LONG */
                                0x39,          /* FC_ALIGNM8 */
/* 726 */ 0x36, /* FC_POINTER */
                                0x5b,          /* FC_END */
/* 728 */
                                0x12, 0x0,          /* FC_UP */
/* 730 */ NdrFcShort( 0xffffffffe6 ), /* Offset= -26 (704) */
/* 732 */
                                0x1b,          /* FC_CARRAY */
                                0x1,          /* 1 */
/* 734 */ NdrFcShort( 0x2 ), /* 2 */
/* 736 */ 0x19, /* Corr desc: field pointer, FC_ULONG */
                                0x0,          /* */
/* 738 */ NdrFcShort( 0x0 ), /* 0 */
/* 740 */ NdrFcShort( 0x1 ), /* Corr flags: early, */
/* 742 */ 0x6, /* FC_SHORT */
                                0x5b,          /* FC_END */
/* 744 */
                                0x1a,          /* FC_BOGUS_STRUCT */
                                0x3,          /* 3 */
/* 746 */ NdrFcShort( 0x10 ), /* 16 */
/* 748 */ NdrFcShort( 0x0 ), /* 0 */
/* 750 */ NdrFcShort( 0x6 ), /* Offset= 6 (756) */
/* 752 */ 0x8, /* FC_LONG */
                                0x39,          /* FC_ALIGNM8 */
/* 754 */ 0x36, /* FC_POINTER */
                                0x5b,          /* FC_END */
/* 756 */
                                0x12, 0x0,          /* FC_UP */
/* 758 */ NdrFcShort( 0xffffffffe6 ), /* Offset= -26 (732) */
/* 760 */
                                0x1b,          /* FC_CARRAY */
                                0x3,          /* 3 */
/* 762 */ NdrFcShort( 0x4 ), /* 4 */
/* 764 */ 0x19, /* Corr desc: field pointer, FC_ULONG */
                                0x0,          /* */
/* 766 */ NdrFcShort( 0x0 ), /* 0 */
/* 768 */ NdrFcShort( 0x1 ), /* Corr flags: early, */
/* 770 */ 0x8, /* FC_LONG */
                                0x5b,          /* FC_END */
/* 772 */
                                0x1a,          /* FC_BOGUS_STRUCT */
                                0x3,          /* 3 */
/* 774 */ NdrFcShort( 0x10 ), /* 16 */

/* 776 */ NdrFcShort( 0x0 ), /* 0 */
/* 778 */ NdrFcShort( 0x6 ), /* Offset= 6 (784) */
/* 780 */ 0x8, /* FC_LONG */
                                0x39,          /* FC_ALIGNM8 */
/* 782 */ 0x36, /* FC_POINTER */
                                0x5b,          /* FC_END */
/* 784 */
                                0x12, 0x0,          /* FC_UP */
/* 786 */ NdrFcShort( 0xffffffffe6 ), /* Offset= -26 (760) */
/* 788 */
                                0x1b,          /* FC_CARRAY */
                                0x7,          /* 7 */
/* 790 */ NdrFcShort( 0x8 ), /* 8 */
/* 792 */ 0x19, /* Corr desc: field pointer, FC_ULONG */
                                0x0,          /* */
/* 794 */ NdrFcShort( 0x0 ), /* 0 */
/* 796 */ NdrFcShort( 0x1 ), /* Corr flags: early, */
/* 798 */ 0xb, /* FC_HYPER */
                                0x5b,          /* FC_END */
/* 800 */
                                0x1a,          /* FC_BOGUS_STRUCT */
                                0x3,          /* 3 */
/* 802 */ NdrFcShort( 0x10 ), /* 16 */
/* 804 */ NdrFcShort( 0x0 ), /* 0 */
/* 806 */ NdrFcShort( 0x6 ), /* Offset= 6 (812) */
/* 808 */ 0x8, /* FC_LONG */
                                0x39,          /* FC_ALIGNM8 */
/* 810 */ 0x36, /* FC_POINTER */
                                0x5b,          /* FC_END */
/* 812 */
                                0x12, 0x0,          /* FC_UP */
/* 814 */ NdrFcShort( 0xffffffffe6 ), /* Offset= -26 (788) */
/* 816 */
                                0x15,          /* FC_STRUCT */
                                0x3,          /* 3 */
/* 818 */ NdrFcShort( 0x8 ), /* 8 */
/* 820 */ 0x8, /* FC_LONG */
                                0x8,          /* FC_LONG */
/* 822 */ 0x5c, /* FC_PAD */
                                0x5b,          /* FC_END */
/* 824 */
                                0x1b,          /* FC_CARRAY */
                                0x3,          /* 3 */
/* 826 */ NdrFcShort( 0x8 ), /* 8 */
/* 828 */ 0x7, /* Corr desc: FC_USHORT */
                                0x0,          /* */
/* 830 */ NdrFcShort( 0xffc8 ), /* -56 */
/* 832 */ NdrFcShort( 0x1 ), /* Corr flags: early, */
/* 834 */ 0x4c, /* FC_EMBEDDED_COMPLEX */
                                0x0,          /* 0 */
/* 836 */ NdrFcShort( 0xffffffffec ), /* Offset= -20 (816) */
/* 838 */ 0x5c, /* FC_PAD */
                                0x5b,          /* FC_END */
/* 840 */
                                0x1a,          /* FC_BOGUS_STRUCT */
                                0x3,          /* 3 */
/* 842 */ NdrFcShort( 0x38 ), /* 56 */
/* 844 */ NdrFcShort( 0xffffffffec ), /* Offset= -20 (824) */
/* 846 */ NdrFcShort( 0x0 ), /* Offset= 0 (846) */
/* 848 */ 0x6, /* FC_SHORT */
                                0x6,          /* FC_SHORT */
/* 850 */ 0x38, /* FC_ALIGNM4 */
                                0x8,          /* FC_LONG */
```


Appendix A - Application Source Code

```
/* 852 */ 0x8,          /* FC_LONG */
/* 854 */ 0x4,          /* FC_EMBEDDED_COMPLEX */
/* 858 */          /* 4 */
/* 860 */ NdrFcShort( 0xfffffe0d ), /* Offset= -499 (356) */
/* 862 */ 0x5b,        /* FC_END */
/* 866 */          /* FC_UP */
/* 870 */ 0x12, 0x0,   /* Offset= -254 (606) */
/* 874 */          /* FC_UP [simple_pointer] */
/* 878 */ 0x12, 0x8,   /* FC_BYTE */
/* 882 */ 0x5c,        /* FC_PAD */
/* 886 */          /* FC_UP [simple_pointer] */
/* 890 */ 0x12, 0x8,   /* FC_SHORT */
/* 894 */ 0x5c,        /* FC_PAD */
/* 898 */          /* FC_UP [simple_pointer] */
/* 902 */ 0x12, 0x8,   /* FC_LONG */
/* 906 */ 0x5c,        /* FC_PAD */
/* 910 */          /* FC_UP [simple_pointer] */
/* 914 */ 0x12, 0x8,   /* FC_FLOAT */
/* 918 */ 0x5c,        /* FC_PAD */
/* 922 */          /* FC_UP [simple_pointer] */
/* 926 */ 0x12, 0x8,   /* FC_DOUBLE */
/* 930 */ 0x5c,        /* FC_PAD */
/* 934 */          /* FC_UP */
/* 938 */ 0x12, 0x0,   /* Offset= -604 (286) */
/* 942 */          /* FC_UP [pointer_deref] */
/* 946 */ 0x12, 0x10,  /* Offset= -602 (286) */
/* 950 */          /* FC_UP [pointer_deref] */
/* 954 */ 0x12, 0x10,  /* Offset= -580 (312) */
/* 958 */          /* FC_UP [pointer_deref] */
/* 962 */ 0x12, 0x10,  /* Offset= -566 (330) */
/* 966 */          /* FC_UP [pointer_deref] */
/* 970 */ 0x12, 0x10,  /* Offset= -552 (348) */
/* 974 */          /* FC_UP [pointer_deref] */
/* 978 */ 0x12, 0x10,  /* Offset= 2 (906) */
/* 982 */          /* FC_UP */
/* 986 */ 0x12, 0x0,   /* Offset= 22 (930) */
/* 990 */          /* FC_STRUCT */
/* 994 */ 0x15,        /* 7 */
/* 998 */ 0x7,        /* 7 */
/* 1002 */ NdrFcShort( 0x10 ), /* 16 */
/* 1006 */ 0x6,        /* FC_SHORT */
/* 1010 */ 0x1,        /* FC_BYTE */
/* 1014 */ 0x38,       /* FC_ALIGNM4 */
/* 1018 */ 0x8,        /* FC_LONG */
/* 1022 */ 0x39,       /* FC_ALIGNM8 */
/* 1026 */ 0xb,        /* FC_HYPER */
/* 1030 */ 0x5b,       /* FC_END */
/* 1034 */          /* FC_UP */
/* 924 */ NdrFcShort( 0xffffffff2 ), /* Offset= -14 (910) */
/* 926 */          /* FC_UP [simple_pointer] */
/* 928 */ 0x2,        /* FC_CHAR */
/* 930 */          /* FC_PAD */
/* 932 */          /* FC_BOGUS_STRUCT */
/* 934 */ NdrFcShort( 0x20 ), /* 32 */
/* 936 */ NdrFcShort( 0x0 ), /* 0 */
/* 938 */ NdrFcShort( 0x0 ), /* Offset= 0 (936) */
/* 940 */ 0x8,        /* FC_LONG */
/* 942 */ 0x6,        /* FC_SHORT */
/* 944 */ 0x6,        /* FC_SHORT */
/* 946 */ 0x6,        /* FC_SHORT */
/* 948 */ 0x4c,       /* FC_EMBEDDED_COMPLEX */
/* 950 */ NdrFcShort( 0xfffffc54 ), /* Offset= -940 (6) */
/* 952 */ 0x5c,       /* FC_PAD */
/* 954 */ 0xb4,       /* FC_USER_MARSHAL */
/* 956 */ 0x83,      /* FC_END */
/* 958 */          /* 131 */
/* 960 */ NdrFcShort( 0x0 ), /* 0 */
/* 962 */ NdrFcShort( 0x18 ), /* 24 */
/* 964 */ NdrFcShort( 0x0 ), /* 0 */
/* 966 */ NdrFcShort( 0xfffffc44 ), /* Offset= -956 (2) */
/* 968 */          /* FC_UP [allocated_on_stack] */
/* 970 */ NdrFcShort( 0x6 ), /* Offset= 6 (968) */
/* 972 */          /* FC_OP */
/* 974 */ NdrFcShort( 0xfffffddc ), /* Offset= -36 (930) */
/* 976 */ 0xb4,       /* FC_USER_MARSHAL */
/* 978 */ 0x83,      /* 131 */
/* 980 */ NdrFcShort( 0x0 ), /* 0 */
/* 982 */ NdrFcShort( 0x18 ), /* 24 */
/* 984 */ NdrFcShort( 0x0 ), /* 0 */
/* 986 */ NdrFcShort( 0xfffffff4 ), /* Offset= -12 (964) */
/* 988 */          /* 0 */
};
const CInterfaceProxyVtbl * _tpcc_com_ps_ProxyVtblList[] =
{
    ( CInterfaceProxyVtbl *) &ITPCCProxyVtbl,
    0
};
const CInterfaceStubVtbl * _tpcc_com_ps_StubVtblList[] =
{
    ( CInterfaceStubVtbl *) &ITPCCStubVtbl,
    0
};
PCInterfaceName const _tpcc_com_ps_InterfaceNamesList[] =
{
    "ITPCC",
    0
};
```

Appendix A - Application Source Code

```
#define _tpcc_com_ps_CHECK_IID(n) IID_GENERIC_CHECK_IID( _tpcc_com_ps, pIID, n)

int __stdcall _tpcc_com_ps_IID_Lookup( const IID * pIID, int * pIndex )
{
    if(!_tpcc_com_ps_CHECK_IID(0))
    {
        *pIndex = 0;
        return 1;
    }

    return 0;
}

const ExtendedProxyFileInfo tpcc_com_ps_ProxyFileInfo =
{
    (PCInterfaceProxyVtblList *) & _tpcc_com_ps_ProxyVtblList,
    (PCInterfaceStubVtblList *) & _tpcc_com_ps_StubVtblList,
    (const PCInterfaceName * ) & _tpcc_com_ps_InterfaceNamesList,
    0, // no delegation
    & _tpcc_com_ps_IID_Lookup,
    1,
    2,
    0, /* table of [async_uuid] interfaces */
    0, /* Filler1 */
    0, /* Filler2 */
    0 /* Filler3 */
};

#endif /* defined(_M_IA64) || defined(_M_AXP64)*/
```

common/txnlog/include/rtetime.h

```
/* FILE: rtetime.h : header file
 * Copyright 1997 Microsoft Corp., All rights reserved.
 *
 * Authors: Charles Levine, Philip Durr
 *          Microsoft Corp.
 */

#define MAX_JULIAN_TIME 0x7FFFFFFFFFFFFFFF
#define JULIAN_TIME __int64
#define TC_TIME DWORD
extern "C"
{
    BOOL InitJulianTime(LPSYSTEMTIME lpInitTime);
    JULIAN_TIME GetJulianTime(void);
    DWORD MyTickCount(void);
    void GetJulianAndTC(JULIAN_TIME *pJulian, DWORD *pTC);
    JULIAN_TIME ConvertTo64BitTime(int iYear, int iMonth, int iDay, int iHour, int
iMinute, int iSecond);
    JULIAN_TIME Get64BitTime(LPSYSTEMTIME lpInitTime);
    int JulianDay( int yr, int mm, int dd );
}
```

```
void JulianToTime(JULIAN_TIME julianTS, int* yr, int* mm, int* dd, int
*hh, int *mi, int *ss );
void JulianToCalendar( int day, int* yr, int* mm, int* dd );
}
```

common/txnlog/include/spinlock.h

```
/* FILE: SPINLOCK.H
 *
 * Copyright 1997 Microsoft Corp., All rights reserved.
 *
 * Authors: Mike Parkes, Charles Levine, Philip Durr
 *          Microsoft Corp.
 */

#ifndef _INC_Spinlock

const LONG LockClosed = 1;
const LONG LockOpen = 0;

/*****
 *
 * Spinlock and Semaphore locking.
 *
 * This class provides a very conservative locking scheme.
 * The assumption behind the code is that locks will be
 * held for a very short time. When a lock is taken a memory
 * location is exchanged. All other threads that want this
 * lock wait by spinning and sometimes sleeping on a semaphore
 * until it becomes free again. The only other choice is not
 * to wait at all and move on to do something else. This
 * module should normally be used in conjunction with cache
 * aligned memory in minimize cache line misses.
 *
 *****/

class Spinlock
{
    // Private data.
    HANDLE Semaphore;
    volatile LONG m_Spinlock;
    volatile LONG Waiting;

#ifdef _DEBUG
    // Counters for debugging builds.
    volatile LONG TotalLocks;
    volatile LONG TotalSleeps;
    volatile LONG TotalSpins;
    volatile LONG TotalWaits;
#endif

public:
    // Public functions.
    Spinlock( void );
};
```

Appendix A - Application Source Code

```
inline BOOL ClaimLock( BOOL Wait = TRUE );
inline void ReleaseLock( void );
~Spinlock( void );
// Disabled operations.
Spinlock( const Spinlock & Copy );
void operator=( const Spinlock & Copy );

private:
    // Private functions.
    inline BOOL ClaimSpinlock( volatile LONG *sl );
    void WaitForLock( void );
    void WakeAllSleepers( void );
};

/*****
 *
 * A guaranteed atomic exchange.
 *
 * An attempt is made to claim the Spinlock. This action is
 * guaranteed to be atomic.
 *
 *****/

inline BOOL Spinlock::ClaimSpinlock( volatile LONG *Spinlock )
{
    #ifdef _DEBUG
        InterlockedIncrement( (LPLONG) & TotalLocks );
    #endif
    return ( ((*Spinlock) == LockOpen) && (InterlockedExchange(
(LPLONG)Spinlock, LockClosed) == LockOpen) );
}

/*****
 *
 * Claim the Spinlock.
 *
 * Claim the lock if available else wait or exit.
 *
 *****/

inline BOOL Spinlock::ClaimLock( BOOL Wait )
{
    if ( ! ClaimSpinlock( (volatile LONG*) & m_Spinlock ) )
    {
        if ( Wait )
            WaitForLock();
        return Wait;
    }
    return TRUE;
}

/*****
 *
 * Release the Spinlock.
 *
 * Release the lock and if needed wakeup any sleepers.
 *
 *****/

inline void Spinlock::ReleaseLock( void )
{
    m_Spinlock = LockOpen;
}
```

```
        if ( Waiting > 0 )
            WakeAllSleepers();
    }

    #define _INC_Spinlock

#endif
```

common/txnlog/include/txnlog.h

```
/* FILE: TXNLOG.H Microsoft TPC-C Kit Ver. 4.10.000
 *
 * NOTE: this file is RTE specific and should not be
 * included in Full Disclosure Reports.
 *
 * Copyright Microsoft, 1999
 *
 * PURPOSE: Structure definitions for logging delivery txn completion stats.
 * Contact: Charles Levine (clevine@microsoft.com)
 */

typedef struct _TXN_NEWORDER
{
    BYTE OL_Count; //range 0 to 31
    BYTE OL_Remote_Count; //range 0 to 31
    WORD c_id;
    int o_id;
} TXN_NEWORDER;

typedef struct _TXN_PAYMENT
{
    BYTE CustByName;
    BYTE IsRemote;
} TXN_PAYMENT;

typedef struct _TXN_ORDERSTATUS
{
    BYTE CustByName;
} TXN_ORDERSTATUS;

typedef union _TXN_DETAILS
{
    TXN_NEWORDER NewOrder;
    TXN_PAYMENT Payment;
    TXN_ORDERSTATUS OrderStatus;
} TXN_DETAILS;

// Common header for all records in txn log. The TxnType field is
// a switch which identifies the particular variant.
#define TXN_REC_TYPE_CONTROL 1 //
```

Appendix A - Application Source Code

```

#define TXN_REC_TYPE_TPCC                2        // replaces
TRANSACTION_TYPE_TPCC
#define TXN_REC_TYPE_TPCC_DELIV_DEF      3

typedef struct _TXN_RECORD_HEADER
{
    JULIAN_TIME    TxnStartT0;        // start of txn
    BYTE           TxnType;           // one of TXN_REC_TYPE_*
    BYTE           TxnSubType;        // depends on
TxnType
} TXN_RECORD_HEADER, *PTXN_RECORD_HEADER;

typedef struct _TXN_RECORD_CONTROL
{
    // common header: must exactly match TXN_RECORD_HEADER
    JULIAN_TIME    TxnStartT0;        // start of txn
    BYTE           TxnType;           // = TXN_REC_TYPE_CONTROL
    BYTE           TxnSubType;        // depends on
TxnType

    // end of common header

    DWORD          Len;               // number of bytes
after this field
} TXN_RECORD_CONTROL, *PTXN_RECORD_CONTROL;

// TPC-C Txn Record Layout:
//
// 'TxnStartT0' is a Julian timestamp corresponding to the moment the
// txn is sent to the SUT, i.e., beginning of response time. Deltas
// are in milliseconds. Note that if RTDelay > 0, then the txn was
// delayed by this amount. The delay occurs at the beginning of the
// response time. So if RTDelay > 0, then the txn was actually sent
// at TxnStartT0 + RTDelay.
//
// Graphically:
//
// time -->
//
// |--- Menu ---|--- Keying ---|--- Response ---|--- Think ---|
// <- DeltaT1 -> <- DeltaT2 -> <- DeltaT4 -> <- DeltaT3 ->
//
//           ^
//           ^ TxnStartT0
//
// RTDelay is the amount of response time delay included in DeltaT4.
// RTDelay is recorded per txn because this value can be changed on
// the fly, and so may vary from txn to txn.
//
// TxnStatus is the txn completion code. It is used to indicate errors.
// For example, in the New Order txn, 1% of txns abort. TxnStatus will
// reflect this.

typedef struct _TXN_RECORD_TPCC
{
    // common header: must exactly match TXN_RECORD_HEADER
    JULIAN_TIME    TxnStartT0;        // start of txn
    BYTE           TxnType;           // = TXN_REC_TYPE_TPCC
    BYTE           TxnSubType;        // depends on
TxnType

    // end of common header

    int            DeltaT1;           // menu time (ms)

```

```

    int            DeltaT2;           // keying time (ms)
    int            DeltaT3;           // think time (ms)
    int            DeltaT4;           // response time (ms)
    int            RTDelay;           // response time delay (ms)
    int            TxnError;          // error code providing more
detail for TxnStatus
    WORD           w_id;              // warehouse ID
    BYTE           d_id;              // assigned district ID for
this thread
    BYTE           d_id_ThisTxn;      // district ID chosen for this
particular
    BYTE           TxnStatus;         // completion status for txn
to indicate errors
    BYTE           reserved;          // for word alignment
    TXN_DETAILS    TxnDetails;        //
} TXN_RECORD_TPCC, *PTXN_RECORD_TPCC;

// TPC-C Deferred Delivery Txn Record Layout:
//
// Incorporating delivery transaction information into the above
// structure would increase the size of TXN_DETAILS from 8 to 42 bytes.
// Hence, we store delivery transaction details in a separate structure.
//
typedef struct _TXN_RECORD_TPCC_DELIV_DEF
{
    // common header: must exactly match TXN_RECORD_HEADER
    JULIAN_TIME    TxnStartT0;        // start of txn
    BYTE           TxnType;           // =
TXN_REC_TYPE_TPCC_DELIV_DEF
    BYTE           TxnSubType;        // = 0
// end of common header

    int            DeltaT4;           // response time (ms)
    int            DeltaTxnExec;      // execution time (ms)
    WORD           w_id;              // warehouse ID
    BYTE           TxnStatus;         // completion status for txn
to indicate errors
    BYTE           reserved;          // for word alignment
    short          o_carrier_id;      // carrier id
    long           o_id[10];         // returned delivery transaction ids
} TXN_RECORD_TPCC_DELIV_DEF, *PTXN_RECORD_TPCC_DELIV_DEF;

#define TXN_LOG_VERSION                  1
#define TXN_DATA_START                   4096 // offset in log file where
log records start
#define TXN_LOG_EYE_CATCHER "BC"        // signature bytes at the start of log
file

////////////////////////////////////
// The transaction log has a header as the first 4K block.
//
typedef struct _TXN_LOG_HEADER
{
    char           EyeCatcher[2];     // signature bytes;
should always be "BC"
    int            LogVersion;
// set to TXN_LOG_VERSION
    JULIAN_TIME    BeginTxnTS;       //
timestamp of first (lowest) txn start

```

Appendix A - Application Source Code

```

        JULIAN_TIME                EndTxnTS;        // timestamp of
last (highest) txn completion time
        int                        iRecCount;
        // number of records in log file
        BOOL                       bLogSorted;
        int                        iFileSize;
        // file size in bytes

        // the record map provides a fast way to get close to a particular
timestamp in a sorted log file.
        // struct
        // {
        //     JULIAN_TIME            TS;
        // timestamp of record
        //     int                    iPos;
        // byte position in file
        //     }
        RecMap[RecMapSize];
// #define RecMapSize 200

        } TXN_LOG_HEADER, *PTXN_LOG_HEADER;

#define READ_BUFFER_SIZE 64*1024
#define WRITE_BUFFER_SIZE 8*1024

#define NUM_READ_BUFFERS 1
#define NUM_WRITE_BUFFERS 2
#define MAX_NUM_BUFFERS 2

// flags passed in to the constructor
#define TXN_LOG_WRITE 0x01
#define TXN_LOG_READ 0x02
#define TXN_LOG_SORTED 0x04

#define TXN_LOG_OS_ERROR 1
#define TXN_LOG_NOT_SORTED 2

#define SKIP_CTRL_RECS 1

class CTxnLog
{
private:
        DWORD iBufferSize; //buffer
        allocated size
        DWORD iBytesFreeInBuffer; //total bytes
        available for use in buffer
        int iNumBuffers;
        //buffers in use
        int iActiveBuffer;
        //indicates which buffer is active: 0 or 1
        int iIoBuffer;
        //buffer for any pending IO operation
        int iFilePointer;
        //position in file.
        int iNextRec;
        //when reading, ordinal value of next record

        // A "save point" is remembered each time GetNextRecord is called
with a start time specified.
        // The next time it is called, if start time is after the save point,
we start scanning from the

```

```

        // save point. This is particularly useful in FindBestInterval,
where the log is scanned repeatedly.
        JULIAN_TIME SavePtTime;
        int iSavePtFilePointer;
        int iSavePtNextRec;

        JULIAN_TIME lastTS;
        //when writing sorted output, used to verify records are sorted
        BOOL bWrite;
        //writing log file

        BOOL bLogSorted;
        // is log file sorted? applies to both input and output
        JULIAN_TIME BeginTxnTS;
        // timestamp of first (lowest) txn start
        JULIAN_TIME EndTxnTS; //
timestamp of last (highest) txn completion time
        int iRecCount;
        // number of records in log file

        BYTE *pCurrent;
        //ptr to current buffer
        BYTE *pBuffer[MAX_NUM_BUFFERS];

        PTXN_RECORD_HEADER *TxnArray; //transaction
record pointer array for sort

        DWORD dwError;
        HANDLE hTxnFile; //handle
to log file
        HANDLE hMapFile; //map
file used when sorting the log
        HANDLE hIoComplete; //event
to signify that there are no pending IOs
        HANDLE hLogFileIo;
        //event to signal the IO thread to write the inactive buffer

        Spinlock Spin; //spin
lock to protect the txn log file buffers

        int Write(BYTE *ptr, DWORD Size);
        static void LogFileIO(CTxnLog *);

public:
        CTxnLog::CTxnLog(LPCTSTR szFileName, DWORD dwOpts);
        ~CTxnLog(void);

        int WriteToLog(PTXN_RECORD_TPCC pTxnRcprd);
        int WriteToLog(PTXN_RECORD_TPCC_DELIV_DEF pTxnRcprd);
        int WriteToLog(PTXN_RECORD_CONTROL pCtrlRec);
        int WriteToLog(PTXN_RECORD_HEADER pCtrlRec);

        int WriteCtrlRecToLog(BYTE SubType, LPCTSTR lpStr, DWORD dwLen);

        void CloseTransactionLogFile(void);

        PTXN_RECORD_HEADER GetNextRecord(BOOL bSkipCtrlRecs = FALSE);
        PTXN_RECORD_HEADER GetNextRecord(JULIAN_TIME SeekTimeT0, BOOL
bSkipCtrlRecs = FALSE);

        int Sort(void);
        PTXN_RECORD_HEADER GetSortedRecord(int index);

```

Appendix A - Application Source Code

```
inline BOOL IsSorted(void) { return bLogSorted; };
inline JULIAN_TIME BeginTS(void) { return BeginTxnTS; };
inline JULIAN_TIME EndTS(void) { return EndTxnTS; };
inline int RecordCount(void) { return iRecCount; };
};

class CTXNLOG_ERR : public CBaseErr
{
public:
enum CTPCC_DBLIB_ERRS
{
ERR_BAD_FILE_FORMAT = 1, // "File format is invalid."
ERR_UNKNOWN_LOG_VERSION, // "Log file version is
unknown."
ERR_BROKEN_LOG_FILE, // "Log file is
broken."
ERR_LOG_NOT_SORTED, // "Log file is not
sorted"
ERR_INVALID_TIME_SEQ, // "Internal Error:
Record Time Sequence invalid."
};

CTXNLOG_ERR( int iErr ) { m_errno = iErr; };

int m_errno;

int ErrorType() {return ERR_TYPE_TXNLOG;};
int ErrorNum() {return m_errno;};

// TODO: need to complete...
char *ErrorText() {return ""};
};
```

Appendix B - Database Design

Appendix B - Database Design

Build Scripts

setup.cmd

```
ECHO OFF

@ECHO *****
@ECHO *
@ECHO * Microsoft TPC-C Benchmark Kit Ver. 4.01 *
@ECHO *
@ECHO *****

if '%1'==' ' goto usage
if '%2'==' ' goto usage
if '%3'==' ' goto usage
if '%4'==' ' goto usage
if not '%5'==' ' if not '%5' == 'scaled' goto usage

::Cleanup any old .err files
@if exist logs\*.err del logs\*.err
>nul

if '%3'=='full' goto start
if '%3'=='bulddb' goto bulddb
if '%3'=='objects' goto objects
if '%3'=='bulkload' goto bulkload
if '%3'=='objectsfull' goto objects
if '%3'=='bulkloadfull' goto bulkload
if '%3'=='backup' goto backup
goto usage

:start
:: Cleanup the logs directory...
@if exist logs\version.log del logs\version.log >nul
@if exist logs\db.log del logs\db.log >nul
@if exist logs\objects.log del logs\objects.log >nul
@if exist logs\objects.log del logs\objects.log >nul
@if exist logs\bulkload.log del logs\bulkload.log >nul
@if exist logs\backup.log del logs\backup.log >nul

isql -Usa -P -S%1 -Q"select @@version" >
logs\version.log
isql -Usa -P -S%1 -Q"select getdate()" >>
logs\version.log

:bulddb
@if exist logs\db.log del logs\db.log >nul
@ECHO Building database files and database...
isql -Usa -P -S%1 -e < scripts\%2.war\%4\createdb.sql >
logs\db.log
@ECHO Database build complete.
if '%3'=='full' goto objects
```

```
goto end

:objects
@if exist logs\objects.log del logs\objects.log >nul
@ECHO Creating database objects...
isql -Usa -P -S%1 -e < scripts\ddl\%4\tables.sql > logs\objects.log
isql -Usa -P -S%1 -e < scripts\dml\%4\neword.sql >> logs\objects.log
isql -Usa -P -S%1 -e < scripts\dml\%4\payment.sql >> logs\objects.log
isql -Usa -P -S%1 -e < scripts\dml\%4\ordstat.sql >> logs\objects.log
isql -Usa -P -S%1 -e < scripts\dml\%4\delivery.sql >>
logs\objects.log
isql -Usa -P -S%1 -e < scripts\dml\%4\stocklev.sql >>
logs\objects.log
@ECHO Database object creation complete.
if '%3'=='full' goto bulkload
if '%3'=='objectsfull' goto bulkload
goto end

:bulkload
@if exist logs\bulkload.log del logs\bulkload.log >nul
@ECHO Beginning data load and index creation...
isql -Usa -P -S%1 -e < scripts\utility\%4\dbopt1.sql >>
logs\objects.log
if '%4'=='mssql70' goto odbc
if '%4'=='mssql65' goto dlib
goto usage
:dlib
if '%5'==' ' loader\%4\bin\tpccldr -S%1 -W%2 -flogs\bulkload.log -dscripts\ddl\%4 -c0
if '%5'=='normal' loader\%4\bin\tpccldr -S%1 -W%2 -flogs\bulkload.log -dscripts\ddl\%4 -c0
if '%5'=='scaled' loader\%4\bin\tpccldr -S%1 -W%2 -flogs\bulkload.log -dscripts\ddl\%4 -c1
goto bulkloaddone
:odbc
if '%5'==' ' loader\%4\bin\tpccldr -S%1 -W%2 -flogs\bulkload.log -dscripts\ddl\%4 -c0
if '%5'=='normal' loader\%4\bin\tpccldr -S%1 -W%2 -flogs\bulkload.log -dscripts\ddl\%4 -c0
if '%5'=='scaled' loader\%4\bin\tpccldr -S%1 -W%2 -flogs\bulkload.log -dscripts\ddl\%4 -c1
goto bulkloaddone
:bulkloaddone
isql -Usa -P -S%1 -e < scripts\utility\%4\dbopt2.sql >>
logs\bulkload.log
@ECHO Data load and index creation complete.
if '%3'=='full' goto backup
if '%3'=='objectsfull' goto backup
if '%3'=='bulkloadfull' goto backup
goto end

:backup
@if exist logs\backup.log del logs\backup.log >nul
@ECHO Backing up database...
isql -Usa -P -S%1 -e < scripts\%2.war\%4\backup.sql >
logs\backup.log
@ECHO Database backup complete.
if '%3'=='full' goto verifyload
if '%3'=='objectsfull' goto verifyload
if '%3'=='bulkloadfull' goto verifyload
goto complete

:verifyload
@if exist logs\verifyload.log del logs\verifyload.log >nul
@ECHO Verifying TPC-C database load...
```

Appendix B - Database Design

```
isql -Usa -P -S%1 < scripts\utility\%4\verifytpccload.sql >
logs\verifyload.log
@ECHO Check logs\verifyload.log to verify database load.

:complete
@ECHO *****
@ECHO *
@ECHO * Full TPC-C build complete. Check logs directory for setup errors. *
@ECHO *
@ECHO * *****
goto end

:usage
@ECHO *****
@ECHO *
@ECHO * The TPC-C setup command file requires the following parameters: *
@ECHO *
@ECHO * setup SERVER NUMWAR BLDOPT VERSION DBTYPE *
@ECHO *
@ECHO * SERVER = machine name of server (use "" for local server) *
@ECHO * NUMWAR = number of warehouses *
@ECHO * BLDOPT = full, bulddb, objects, objectsfull, bulkload, *
@ECHO *          bulkloadfull, or backup *
@ECHO * VERSION = mssql65 or mssql70 *
@ECHO * DBTYPE = normal or scaled *
@ECHO *
@ECHO * Note #1: the BLDOPT and VERSION parameters are case sensitive. *
@ECHO *
@ECHO * Note #2: the DBTYPE is optional. If no DBTYPE is specified, SETUP *
@ECHO * will default to NORMAL. *
@ECHO *
@ECHO * Example: *
@ECHO *
@ECHO * The following command would be used to build a complete 200 *
@ECHO * warehouse database on SQL Server 7.0 running on server \\myserver. *
@ECHO *
@ECHO *          SETUP myserver 200 full mssql70 *
@ECHO *
@ECHO * Note, this command file does a backup of the database by default *
@ECHO * after the database build process is complete. If you do not wish *
@ECHO * to make a backup (strongly discouraged), you must edit this file *
@ECHO * and comment that section out. Also, if you need to run the dbcheck *
@ECHO * and the dbtables scripts on the fresh database load for an audit, *
@ECHO * you must either run them manually or edit this file to include them. *
@ECHO *
@ECHO * *****

:end

echo on
```

createdb.sql

```
-- File:      CREATEDB.SQL
--           Microsoft TPC-C Benchmark Kit Ver. 4.21
--           Copyright Microsoft, 1999, 2000
-- Purpose:   Creates tpcc database and backup files

use master
```

```
go

-- Create temporary table for timing

if exists ( select name from sysobjects where name = 'tpcc_timer' )
drop table tpcc_timer

go

create table tpcc_timer
(
    start_date          char(30),
    end_date            char(30)
)

insert into tpcc_timer values (0,0)
go

-- Store starting time

update tpcc_timer
set start_date = (select convert(char(30), getdate(),9))
go

-- create main database files

CREATE DATABASE tpcc
ON PRIMARY
(
    NAME = MSSQL70_tpcc_root,
    FILENAME = "C:\MSSQL70_tpcc_root.mdf",
    SIZE = 8MB,
    FILEGROWTH = 0),
FILEGROUP MSSQL70_misc_fg
(
    NAME = MSSQL70_misc1,
    FILENAME = "F:",
    SIZE = 25676MB,
    FILEGROWTH = 0),
(
    NAME = MSSQL70_misc2,
    FILENAME = "H:",
    SIZE = 25676MB,
    FILEGROWTH = 0),
(
    NAME = MSSQL70_misc3,
    FILENAME = "J:",
    SIZE = 25676MB,
    FILEGROWTH = 0),
(
    NAME = MSSQL70_misc4,
    FILENAME = "L:",
    SIZE = 25676MB,
    FILEGROWTH = 0),
(
    NAME = MSSQL70_misc5,
    FILENAME = "N:",
    SIZE = 25676MB,
    FILEGROWTH = 0),
FILEGROUP MSSQL70_cs_fg
(
    NAME = MSSQL70_cs1,
    FILENAME = "E:",
    SIZE = 46424MB,
    FILEGROWTH = 0),
(
    NAME = MSSQL70_cs2,
    FILENAME = "G:",
    SIZE = 46424MB,
    FILEGROWTH = 0),
(
    NAME = MSSQL70_cs3,
```


Appendix B - Database Design

```
        FILENAME = "I:",
        SIZE      = 46424MB,
        FILEGROWTH = 0),
(
    NAME      = MSSQL70_cs4,
    FILENAME = "K:",
    SIZE      = 46424MB,
    FILEGROWTH = 0),
(
    NAME      = MSSQL70_cs5,
    FILENAME = "M:",
    SIZE      = 46424MB,
    FILEGROWTH = 0)
LOG ON
(
    NAME      =MSSQL70_tpccv3_log,
    FILENAME = "S:",
    SIZE      =100000MB,
    FILEGROWTH =0)
go

-- Store ending time
update tpcc_timer
set end_date = (select convert(char(30), getdate(),9))
go

select "Elapsed time (in seconds): ", datediff(second,(select start_date from
tpcc_timer),(select end_date from tpcc_timer))

--      remove temporary table

if exists ( select name from sysobjects where name = 'tpcc_timer' )
drop table tpcc_timer
go
```

tables.sql

```
-- File:      TABLES.SQL
--           Microsoft TPC-C Benchmark Kit Ver. 4.00
--           Copyright Microsoft, 1996
-- Purpose:   Creates TPC-C tables

use tpcc
go

if exists ( select name from sysobjects where name = 'warehouse' )
drop table warehouse
go
create table warehouse
(
    w_id          smallint,
    w_name        char(10),
    w_street_1    char(20),
    w_street_2    char(20),
    w_city        char(20),
    w_state       char(2),
    w_zip         char(9),
    w_tax        numeric(4,4),
    w_ytd        numeric(12,2)
) on MSSQL70_misc_fg
go
```

```
if exists ( select name from sysobjects where name = 'district' )
drop table district
go
create table district
(
    d_id          tinyint,
    d_w_id        smallint,
    d_name        char(10),
    d_street_1    char(20),
    d_street_2    char(20),
    d_city        char(20),
    d_state       char(2),
    d_zip         char(9),
    d_tax        numeric(4,4),
    d_ytd        numeric(12,2),
    d_next_o_id   int
) on MSSQL70_misc_fg
go

if exists ( select name from sysobjects where name = 'customer' )
drop table customer
go
create table customer
(
    c_id          int,
    c_d_id        tinyint,
    c_w_id        smallint,
    c_first       char(16),
    c_middle      char(2),
    c_last        char(16),
    c_street_1    char(20),
    c_street_2    char(20),
    c_city        char(20),
    c_state       char(2),
    c_zip         char(9),
    c_phone       char(16),
    c_since       datetime,
    c_credit      char(2),
    c_credit_lim  numeric(12,2),
    c_discount    numeric(4,4),
    c_balance     numeric(12,2),
    c_ytd_payment numeric(12,2),
    c_payment_cnt smallint,
    c_delivery_cnt smallint,
    c_data        char(500)
) on MSSQL70_cs_fg
go

if exists ( select name from sysobjects where name = 'history' )
drop table history
go
create table history
(
    h_c_id        int,
    h_c_d_id      tinyint,
    h_c_w_id      smallint,
    h_d_id        tinyint,
    h_w_id        smallint,
    h_date        datetime,
    h_amount      numeric(6,2),
    h_data        char(24)
) on MSSQL70_misc_fg
go
```

Appendix B - Database Design

```
if exists ( select name from sysobjects where name = 'new_order' )
    drop table new_order
go
create table new_order
(
    no_o_id          int,
    no_d_id          tinyint,
    no_w_id          smallint
) on MSSQL70_misc_fg
go

if exists ( select name from sysobjects where name = 'orders' )
    drop table orders
go
create table orders
(
    o_id            int,
    o_d_id          tinyint,
    o_w_id          smallint,
    o_c_id          int,
    o_entry_d       datetime,
    o_carrier_id    tinyint,
    o_ol_cnt        tinyint,
    o_all_local     tinyint
) on MSSQL70_misc_fg
go

if exists ( select name from sysobjects where name = 'order_line' )
    drop table order_line
go
create table order_line
(
    ol_o_id          int,
    ol_d_id          tinyint,
    ol_w_id          smallint,
    ol_number        tinyint,
    ol_i_id          int,
    ol_supply_w_id   smallint,
    ol_delivery_d    datetime,
    ol_quantity      smallint,
    ol_amount        numeric(6,2),
    ol_dist_info     char(24)
) on MSSQL70_misc_fg
go

if exists ( select name from sysobjects where name = 'item' )
    drop table item
go
create table item
(
    i_id            int,
    i_im_id         int,
    i_name          char(24),
    i_price         numeric(5,2),
    i_data          char(50)
) on MSSQL70_misc_fg
go

if exists ( select name from sysobjects where name = 'stock' )
    drop table stock
go
create table stock
```

```
(
    s_i_id          int,
    s_w_id          smallint,
    s_quantity      smallint,
    s_dist_01       char(24),
    s_dist_02       char(24),
    s_dist_03       char(24),
    s_dist_04       char(24),
    s_dist_05       char(24),
    s_dist_06       char(24),
    s_dist_07       char(24),
    s_dist_08       char(24),
    s_dist_09       char(24),
    s_dist_10       char(24),
    s_ytd           int,
    s_order_cnt     smallint,
    s_remote_cnt    smallint,
    s_data          char(50)
) on MSSQL70_cs_fg
go
```

idxcuscl.sql

```
-- File:      IDXCUSCL.SQL
--           Microsoft TPC-C Benchmark Kit Ver. 4.00
--           Copyright Microsoft, 1996
-- Purpose:   Creates clustered index on customer table
```

```
use tpcc
go
```

```
declare @startdate datetime
declare @enddate datetime
select @startdate = getdate()
select "Start date:", convert(varchar(30),@startdate,9)
```

```
if exists ( select name from sysindexes where name = 'customer_c1' )
    drop index customer.customer_c1
```

```
create unique clustered index customer_c1 on customer(c_w_id, c_d_id, c_id)
on MSSQL70_cs_fg
```

```
select @enddate = getdate()
select "End date: ", convert(varchar(30),@enddate,9)
select "Elapsed time (in seconds): ", datediff(second, @startdate, @enddate)
```

```
go
```

idxcusnc.sql

```
-- File:      IDXCUSNC.SQL
--           Microsoft TPC-C Benchmark Kit Ver. 4.00
```

Appendix B - Database Design

```
-- Copyright Microsoft, 1996
-- Purpose: Creates non-clustered index on customer table

use tpcc
go

declare @startdate datetime
declare @enddate datetime
select @startdate = getdate()
select "Start date:", convert(varchar(30),@startdate,9)

if exists ( select name from sysindexes where name = 'customer_nc1' )
    drop index customer.customer_nc1

create unique nonclustered index customer_nc1 on customer(c_w_id, c_d_id, c_last,
c_first, c_id)
    on MSSQL70_cs_fg

select @enddate = getdate()
select "End date: ", convert(varchar(30),@enddate,9)
select "Elapsed time (in seconds): ", datediff(second, @startdate, @enddate)

go
```

idxdiscl.sql

```
-- File:      IDXDISCL.SQL
--           Microsoft TPC-C Benchmark Kit Ver. 4.00
--           Copyright Microsoft, 1996
-- Purpose:   Creates clustered index on district table

use tpcc
go

declare @startdate datetime
declare @enddate datetime
select @startdate = getdate()
select "Start date:", convert(varchar(30),@startdate,9)

if exists ( select name from sysindexes where name = 'district_c1' )
    drop index district.district_c1

create unique clustered index district_c1 on district(d_w_id, d_id)
    with fillfactor=100 on MSSQL70_misc_fg

select @enddate = getdate()
select "End date: ", convert(varchar(30),@enddate,9)
select "Elapsed time (in seconds): ", datediff(second, @startdate, @enddate)

go
```

idxitmcl.sql

```
-- File:      IDXITMCL.SQL
--           Microsoft TPC-C Benchmark Kit Ver. 4.00
--           Copyright Microsoft, 1996
-- Purpose:   Creates clustered index on item table

use tpcc
go

declare @startdate datetime
declare @enddate datetime
select @startdate = getdate()
select "Start date:", convert(varchar(30),@startdate,9)

if exists ( select name from sysindexes where name = 'item_c1' )
    drop index item.item_c1

create unique clustered index item_c1 on item(i_id)
    on MSSQL70_misc_fg

select @enddate = getdate()
select "End date: ", convert(varchar(30),@enddate,9)
select "Elapsed time (in seconds): ", datediff(second, @startdate, @enddate)

go
```

idxnodcl.sql

```
-- File:      IDXNODCL.SQL
--           Microsoft TPC-C Benchmark Kit Ver. 4.00
--           Copyright Microsoft, 1996
-- Purpose:   Creates clustered index on new_order table

use tpcc
go

declare @startdate datetime
declare @enddate datetime
select @startdate = getdate()
select "Start date:", convert(varchar(30),@startdate,9)

if exists ( select name from sysindexes where name = 'new_order_c1' )
    drop index new_order.new_order_c1

create unique clustered index new_order_c1 on new_order(no_w_id, no_d_id, no_o_id)
    on MSSQL70_misc_fg

select @enddate = getdate()
select "End date: ", convert(varchar(30),@enddate,9)
select "Elapsed time (in seconds): ", datediff(second, @startdate, @enddate)

go
```

Appendix B - Database Design

idxodcl.sql

```
-- File:      IDXNODCL.SQL
--           Microsoft TPC-C Benchmark Kit Ver. 4.00
--           Copyright Microsoft, 1996
-- Purpose:   Creates clustered index on new_order table

use tpcc
go

declare @startdate datetime
declare @enddate datetime
select @startdate = getdate()
select "Start date:", convert(varchar(30),@startdate,9)

if exists ( select name from sysindexes where name = 'new_order_c1' )
    drop index new_order.new_order_c1

create unique clustered index new_order_c1 on new_order(no_w_id, no_d_id, no_o_id)
on MSSQL70_misc_fg

select @enddate = getdate()
select "End date: ", convert(varchar(30),@enddate,9)
select "Elapsed time (in seconds): ", datediff(second, @startdate, @enddate)

go
```

idxordcl.sql

```
-- File:      IDXORDCL.SQL
--           Microsoft TPC-C Benchmark Kit Ver. 4.00
--           Copyright Microsoft, 1996
-- Purpose:   Creates clustered index on orders table

use tpcc
go

declare @startdate datetime
declare @enddate datetime
select @startdate = getdate()
select "Start date:", convert(varchar(30),@startdate,9)

if exists ( select name from sysindexes where name = 'orders_c1' )
    drop index orders.orders_c1

create unique clustered index orders_c1 on orders(o_w_id, o_d_id, o_id)
on MSSQL70_misc_fg

select @enddate = getdate()
select "End date: ", convert(varchar(30),@enddate,9)
select "Elapsed time (in seconds): ", datediff(second, @startdate, @enddate)

go
```

idxstkcl.sql

```
-- File:      IDXSTKCL.SQL
--           Microsoft TPC-C Benchmark Kit Ver. 4.00
--           Copyright Microsoft, 1996
-- Purpose:   Creates clustered index on stock table

use tpcc
go

declare @startdate datetime
declare @enddate datetime
select @startdate = getdate()
select "Start date:", convert(varchar(30),@startdate,9)

if exists ( select name from sysindexes where name = 'stock_c1' )
    drop index stock.stock_c1

create unique clustered index stock_c1 on stock(s_i_id, s_w_id)
on MSSQL70_cs_fg

select @enddate = getdate()
select "End date: ", convert(varchar(30),@enddate,9)
select "Elapsed time (in seconds): ", datediff(second, @startdate, @enddate)

go
```

idxwarcl.sql

```
-- File:      IDXWARCL.SQL
--           Microsoft TPC-C Benchmark Kit Ver. 4.00
--           Copyright Microsoft, 1996
-- Purpose:   Creates clustered index on warehouse table

use tpcc
go

declare @startdate datetime
declare @enddate datetime
select @startdate = getdate()
select "Start date:", convert(varchar(30),@startdate,9)

if exists ( select name from sysindexes where name = 'warehouse_c1' )
    drop index warehouse.warehouse_c1

create unique clustered index warehouse_c1 on warehouse(w_id)
with fillfactor=100 on MSSQL70_misc_fg

select @enddate = getdate()
select "End date: ", convert(varchar(30),@enddate,9)
select "Elapsed time (in seconds): ", datediff(second, @startdate, @enddate)
```

Appendix B - Database Design

```
go
```

dbopt1.sql

```
-- File:      DBOPT1.SQL
--           Microsoft TPC-C Benchmark Kit Ver. 4.00
--           Copyright Microsoft, 1996
-- Purpose:   Sets database options for data load
```

```
use master
go

exec sp_dboption tpcc,'select into/bulkcopy',true
exec sp_dboption tpcc,'trunc. log on chkpt.',true
go

use tpcc
go

checkpoint
go
```

dbopt2.sql

```
-- File:      DBOPT2.SQL
--           Microsoft TPC-C Benchmark Kit Ver. 4.00
--           Copyright Microsoft, 1996
-- Purpose:   Resets database options after data load
```

```
use master
go

sp_dboption tpcc,'select ',false
go

sp_dboption tpcc,'trunc. ',false
go

use tpcc
go

checkpoint
go

sp_configure allow,1
go

reconfigure with override
go
```

```
/*
/* Set option values for user-defined indexes */
/*
*/

sp_indexoption 'customer','AllowPageLocks',FALSE
go
sp_indexoption 'district','AllowPageLocks',FALSE
go
sp_indexoption 'warehouse','AllowPageLocks',FALSE
go
sp_indexoption 'stock','AllowPageLocks',FALSE
go
sp_indexoption 'order_line','AllowPageLocks',FALSE
go
sp_indexoption 'orders','AllowPageLocks',FALSE
go
sp_indexoption 'new_order','AllowRowLocks',FALSE
go
sp_indexoption 'item','AllowRowLocks',FALSE
go
sp_indexoption 'item','AllowPageLocks',FALSE
go

Print ' '
Print '*****'
Print 'Pre-specified Locking Hierarchy:'
Print '  Lockflag = 0 ==> No pre-pecified hierarchy'
Print '  Lockflag = 1 ==> Lock at Page-level then Table-level'
Print '  Lockflag = 2 ==> Lock at Row-level then Table-level'
Print '  Lockflag = 3 ==> Lock at Table-level'
Print ' '

select name,lockflags
from sysindexes
where object_id("warehouse")=id or
      object_id("district")=id or
      object_id("customer")=id or
      object_id("stock")=id or
      object_id("orders")=id or
      object_id("order_line")=id or
      object_id("history")=id or
      object_id("new_order")=id or
      object_id("item")=id
order by lockflags asc
go

sp_configure allow,0
go

reconfigure with override
go

exec sp_dboption tpcc, 'auto update statistics', FALSE
exec sp_dboption tpcc, 'auto create statistics', FALSE
go

exec sp_tableoption "district","pintable",true
exec sp_tableoption "warehouse","pintable",true
exec sp_tableoption "new_order","pintable",true
exec sp_tableoption "item","pintable",true
go
```

Appendix B - Database Design

dbopt3.sql

```
use tpcc
go
sp_indexoption 'orders','AllowPagelocks',TRUE
go
sp_indexoption 'orders','AllowRowlocks',FALSE
go
sp_indexoption 'order_line','AllowPagelocks',TRUE
go
sp_indexoption 'order_line','AllowRowlocks',FALSE
go
```

backup.sql

```
-- File:      BACKUP.SQL
--           Microsoft TPC-C Benchmark Kit Ver. 4.21
--           Copyright Microsoft, 1999, 2000
-- Purpose:   Creates backup of tpcc database

declare @startdate datetime
declare @enddate datetime
select @startdate = getdate()
select "Start date:", convert(varchar(30),@startdate,9)

dump database tpcc to tpccback1,tpccback2,tpccback3,tpccback4,tpccback5 with init, stats
= 5

select @enddate = getdate()
select "End date: ", convert(varchar(30),@enddate,9)
select "Elapsed time (in seconds): ", datediff(second, @startdate, @enddate)

go
```

restore.sql

```
-- File:      RESTORE.SQL
--           Microsoft TPC-C Benchmark Kit Ver. 4.21
--           Copyright Microsoft, 1999, 2000
-- Purpose:   Loads database backup from backup files

declare @startdate datetime
declare @enddate datetime
select @startdate = getdate()
select "Start date:", convert(varchar(30),@startdate,9)

load database tpcc from tpccback1,tpccback2,tpccback3,tpccback4,tpccback5 with stats = 5
```

```
select @enddate = getdate()
select "End date: ", convert(varchar(30),@enddate,9)
select "Elapsed time (in seconds): ", datediff(second, @startdate, @enddate)

go
```

Appendix B - Database Design

Stored Procedures

neword.sql

```
-- File:      NEWORD.SQL
--           Microsoft TPC-C Benchmark Kit Ver. 4.01
--           Copyright Microsoft, 1996
-- Purpose:   Creates new order transaction stored procedure
--
-- Modified 9/21/98 - Jamie Reding - Microsoft Corporation
--           Reordered @rowcount check so that invalid supply warehouse id,
--           as well as invalid item id, is detected and causes explicit
--           transaction rollback.
--
use tpcc
go

if exists ( select name from sysobjects where name = "tpcc_neworder" )
  drop procedure tpcc_neworder
go

create proc tpcc_neworder

    @w_id          smallint,
    @d_id          tinyint,
    @c_id          int,
    @o_ol_cnt      tinyint,
    @o_all_local   tinyint,
    @i_id1 int = 0, @s_w_id1 smallint = 0,
    @i_id2 int = 0, @s_w_id2 smallint = 0,
    @i_id3 int = 0, @s_w_id3 smallint = 0,
    @i_id4 int = 0, @s_w_id4 smallint = 0,
    @i_id5 int = 0, @s_w_id5 smallint = 0,
    @i_id6 int = 0, @s_w_id6 smallint = 0,
    @i_id7 int = 0, @s_w_id7 smallint = 0,
    @i_id8 int = 0, @s_w_id8 smallint = 0,
    @i_id9 int = 0, @s_w_id9 smallint = 0,
    @i_id10 int = 0, @s_w_id10 smallint =
    @i_id11 int = 0, @s_w_id11 smallint =
    @i_id12 int = 0, @s_w_id12 smallint =
    @i_id13 int = 0, @s_w_id13 smallint =

    @ol_qty1 smallint = 0,
    @ol_qty2 smallint = 0,
    @ol_qty3 smallint = 0,
    @ol_qty4 smallint = 0,
    @ol_qty5 smallint = 0,
    @ol_qty6 smallint = 0,
    @ol_qty7 smallint = 0,
    @ol_qty8 smallint = 0,
    @ol_qty9 smallint = 0,
    0, @ol_qty10 smallint = 0,
    0, @ol_qty11 smallint = 0,
    0, @ol_qty12 smallint = 0,
    0, @ol_qty13 smallint = 0,
```

```
    @i_id14 int = 0, @s_w_id14 smallint =
    @i_id15 int = 0, @s_w_id15 smallint =

    0, @ol_qty14 smallint = 0,
    0, @ol_qty15 smallint = 0

as
declare  @w_tax          numeric(4,4),
         @d_tax          numeric(4,4),
         @c_last         char(16),
         @c_credit       char(2),
         @c_discount     numeric(4,4),
         @i_price        numeric(5,2),
         @i_name         char(24),
         @i_data         char(50),
         @o_entry_d      datetime,
         @remote_flag    int,
         @s_quantity     smallint,
         @s_data         char(50),
         @s_dist         char(24),
         @li_no          int,
         @o_id           int,
         @commit_flag    tinyint,
         @li_id          int,
         @li_s_w_id      smallint,
         @li_qty         smallint,
         @ol_number      int,
         @c_id_local     int

begin

    begin transaction n

-- get district tax and next available order id and update
-- plus initialize local variables

        update  district
        set      @d_tax      = d_tax,
                 @o_id       = d_next_o_id,
                 d_next_o_id = d_next_o_id + 1,
                 @o_entry_d  = getdate(),
                 @li_no      = 0,
                 @commit_flag = 1
        where    d_w_id      = @w_id and
                 d_id        = @d_id

-- process orderlines

        while (@li_no < @o_ol_cnt)
            begin

                select @li_no = @li_no + 1

-- set i_id, s_w_id, and qty for this lineitem

                select @li_id = case @li_no
                    when 1 then @i_id1
                    when 2 then @i_id2
                    when 3 then @i_id3
                    when 4 then @i_id4
                    when 5 then @i_id5
                    when 6 then @i_id6
                    when 7 then @i_id7
```

Appendix B - Database Design

```
when 8 then @i_id8
when 9 then @i_id9
when 10 then @i_id10
when 11 then @i_id11
when 12 then @i_id12
when 13 then @i_id13
when 14 then @i_id14
when 15 then @i_id15
end,

@li_s_w_id = case @li_no
when 1 then @s_w_id1
when 2 then @s_w_id2
when 3 then @s_w_id3
when 4 then @s_w_id4
when 5 then @s_w_id5
when 6 then @s_w_id6
when 7 then @s_w_id7
when 8 then @s_w_id8
when 9 then @s_w_id9
when 10 then @s_w_id10
when 11 then @s_w_id11
when 12 then @s_w_id12
when 13 then @s_w_id13
when 14 then @s_w_id14
when 15 then @s_w_id15
end,

@li_qty = case @li_no
when 1 then @ol_qty1
when 2 then @ol_qty2
when 3 then @ol_qty3
when 4 then @ol_qty4
when 5 then @ol_qty5
when 6 then @ol_qty6
when 7 then @ol_qty7
when 8 then @ol_qty8
when 9 then @ol_qty9
when 10 then @ol_qty10
when 11 then @ol_qty11
when 12 then @ol_qty12
when 13 then @ol_qty13
when 14 then @ol_qty14
when 15 then @ol_qty15
end

-- get item data (no one updates item)
select @i_price = i_price,
       @i_name = i_name,
       @i_data = i_data
from item (tablock repeatableread)
where i_id = @li_id

-- update stock values
update stock
set s_ytd = s_ytd + @li_qty,
    @s_quantity = s_quantity -
@li_qty +
    case when (s_quantity - @li_qty < 10) then 91 else 0 end,
    s_order_cnt = s_order_cnt + 1,

s_remote_cnt = s_remote_cnt +
case when (@li_s_w_id = @w_id) then 0 else 1 end,
@s_data = s_data,
@s_dist = case @d_id
when 1
when 2 then s_dist_02
when 3 then s_dist_03
when 4 then s_dist_04
when 5 then s_dist_05
when 6 then s_dist_06
when 7 then s_dist_07
when 8 then s_dist_08
when 9 then s_dist_09
when 10 then s_dist_10
end
where s_i_id = @li_id and
       s_w_id = @li_s_w_id

-- if there actually is a stock (and item) with these ids, go to work
if (@@rowcount > 0)
begin
-- insert order_line data (using data from item and stock)
insert into order_line values(@o_id,
                               @d_id,
                               @w_id,
                               @li_no,
                               @li_id,
                               @li_s_w_id,
                               "dec 31, 1899",
                               @li_qty,
                               @i_price * @li_qty,
                               @s_dist)

-- send line-item data to client
select @i_name,
       @s_quantity,
       b_g = case when (
(patindex("%ORIGINAL%",@i_data) > 0) and
(patindex("%ORIGINAL%",@s_data) > 0) )
then "B" else "G"
end,
       @i_price,
       @i_price * @li_qty
else
end
```


Appendix B - Database Design

```
begin
-- no item (or stock) found - triggers rollback condition
    select "",0,"",0,0
    select @commit_flag = 0
end
end

-- get customer last name, discount, and credit rating
select      @c_last      = c_last,
            @c_discount = c_discount,
            @c_credit    = c_credit,
            @c_id_local  = c_id
from customer (repeatableread)
where c_id      = @c_id and
       c_w_id   = @w_id and
       c_d_id   = @d_id

-- insert fresh row into orders table
insert into orders values (@o_id,
                           @d_id,
                           @w_id,
                           @c_id_local,
                           @o_entry_d,
                           0,
                           @o_ol_cnt,
                           @o_all_local)

-- insert corresponding row into new-order table
insert into new_order values (@o_id,
                              @d_id,
                              @w_id)

-- select warehouse tax
select  @w_tax = w_tax
from    warehouse (repeatableread)
where   w_id   = @w_id

if (@commit_flag = 1)
    commit transaction n
else
    rollback transaction n

-- all that work for nuthin!!!

-- return order data to client
select @w_tax,
       @d_tax,
       @o_id,
       @c_last,
       @c_discount,
       @c_credit,
       @o_entry_d,
       @commit_flag
```

```
end
go

payment.sql

-- File:      PAYMENT.SQL
--           Microsoft TPC-C Benchmark Kit Ver. 4.00
--           Copyright Microsoft, 1996
-- Purpose:   Creates payment transaction stored procedure

use tpcc
go

if exists (select name from sysobjects where name = "tpcc_payment" )
    drop procedure tpcc_payment
go

create proc tpcc_payment @w_id          smallint,
                        @c_w_id        smallint,
                        @h_amount       numeric(6,2),
                        @d_id           tinyint,
                        @c_d_id         tinyint,
                        @c_id           int,
                        @c_last         char(16) =
""

as
declare @w_street_1 char(20),
        @w_street_2 char(20),
        @w_city     char(20),
        @w_state    char(2),
        @w_zip      char(9),
        @w_name     char(10),
        @d_street_1 char(20),
        @d_street_2 char(20),
        @d_city     char(20),
        @d_state    char(2),
        @d_zip      char(9),
        @d_name     char(10),
        @c_first    char(16),
        @c_middle   char(2),
        @c_street_1 char(20),
        @c_street_2 char(20),
        @c_city     char(20),
        @c_state    char(2),
        @c_zip      char(9),
        @c_phone    char(16),
        @c_since    datetime,
        @c_credit   char(2),
        @c_credit_lim numeric(12,2),
        @c_balance  numeric(12,2),
        @c_discount numeric(4,4),
        @data       char(500),
        @c_data     char(500),
        @datetime  datetime,
        @w_ytd     numeric(12,2),
```

Appendix B - Database Design

```
@d_ytd          numeric(12,2),
@cnt            smallint,
@val           smallint,
@screen_data   char(200),
               @d_id_local   tinyint,
               @w_id_local   smallint,
               @c_id_local   int

select @screen_data = ""

begin tran p

-- get payment date

select @datetime = getdate()

if (@c_id = 0)
begin

-- get customer id and info using last name

select @cnt = count(*)
from customer (repeatableread)
where c_last = @c_last and
      c_w_id = @c_w_id and
      c_d_id = @c_d_id

select @val = (@cnt + 1) / 2
set rowcount @val

select @c_id = c_id
from customer (repeatableread)
where c_last = @c_last and
      c_w_id = @c_w_id and
      c_d_id = @c_d_id
order by c_last, c_first

set rowcount 0
end

-- get customer info and update balances

update customer set
@c_balance      = c_balance - @h_amount,
c_payment_cnt  = c_payment_cnt + 1,
c_ytd_payment  = c_ytd_payment + @h_amount,
@c_first       = c_first,
@c_middle      = c_middle,
@c_last        = c_last,
@c_street_1    = c_street_1,
@c_street_2    = c_street_2,
@c_city        = c_city,
@c_state       = c_state,
@c_zip         = c_zip,
@c_phone       = c_phone,
@c_credit      = c_credit,
@c_credit_lim  = c_credit_lim,
@c_discount    = c_discount,
@c_since       = c_since,
@data          = c_data,
@c_id_local    = c_id
where c_id     = @c_id and

      c_w_id = @c_w_id and
      c_d_id = @c_d_id

-- if customer has bad credit get some more info

if (@c_credit = "BC")
begin

-- compute new info

select @c_data = convert(char(5),@c_id) +
              convert(char(4),@c_d_id) +
              convert(char(5),@c_w_id) +
              convert(char(4),@d_id) +
              convert(char(5),@w_id) +
              convert(char(19),@h_amount) +
              substring(@data, 1, 458)

-- update customer info

update customer set
      c_data = @c_data
where c_id = @c_id and
      c_w_id = @c_w_id and
      c_d_id = @c_d_id

select @screen_data = substring (@c_data,1,200)

end

-- get district data and update year-to-date

update district
set d_ytd      = d_ytd + @h_amount,
@d_street_1   = d_street_1,
@d_street_2   = d_street_2,
@d_city       = d_city,
@d_state      = d_state,
@d_zip        = d_zip,
@d_name       = d_name,
@d_id_local   = d_id
where d_w_id = @w_id and
      d_id = @d_id

-- get warehouse data and update year-to-date

update warehouse
set w_ytd      = w_ytd + @h_amount,
@w_street_1   = w_street_1,
@w_street_2   = w_street_2,
@w_city       = w_city,
@w_state      = w_state,
@w_zip        = w_zip,
@w_name       = w_name,
@w_id_local   = w_id
where w_id = @w_id

-- create history record

insert into history values (@c_id_local,
                           @c_d_id,
                           @c_w_id,
                           @d_id_local,
```

Appendix B - Database Design

```
@w_id_local,
@datetime,
@h_amount,
+ " " + @d_name) @w_name
commit tran p
-- return data to client
select @c_id,
@c_last,
@datetime,
@w_street_1,
@w_street_2,
@w_city,
@w_state,
@w_zip,
@d_street_1,
@d_street_2,
@d_city,
@d_state,
@d_zip,
@c_first,
@c_middle,
@c_street_1,
@c_street_2,
@c_city,
@c_state,
@c_zip,
@c_phone,
@c_since,
@c_credit,
@c_credit_lim,
@c_discount,
@c_balance,
@screen_data
go
```

ordstat.sql

```
-- File: ORDSTAT.SQL
-- Microsoft TPC-C Benchmark Kit Ver. 4.00
-- Copyright Microsoft, 1996
-- Purpose: Creates order status transaction stored procedure
use tpcc
go
if exists ( select name from sysobjects where name = "tpcc_orderstatus" )
drop procedure tpcc_orderstatus
go
create proc tpcc_orderstatus @w_id smallint,
```

```
tinyint,
int,
= ""
as
declare @c_balance numeric(12,2),
@c_first char(16),
@c_middle char(2),
@o_id int,
@o_entry_d datetime,
@o_carrier_id smallint,
@cnt smallint
begin tran o
if (@c_id = 0)
begin
-- get customer id and info using last name
select @cnt = (count(*)+1)/2
from customer (repeatableread)
where c_last = @c_last and
c_w_id = @w_id and
c_d_id = @d_id
set rowcount @cnt
select @c_id = c_id,
@c_balance = c_balance,
@c_first = c_first,
@c_last = c_last,
@c_middle = c_middle
from customer (repeatableread)
where c_last = @c_last and
c_w_id = @w_id and
c_d_id = @d_id
order by c_w_id, c_d_id, c_last, c_first
set rowcount 0
end
else
begin
-- get customer info if by id
select @c_balance = c_balance,
@c_first = c_first,
@c_middle = c_middle,
@c_last = c_last
from customer (repeatableread)
where c_id = @c_id and
c_d_id = @d_id and
c_w_id = @w_id
select @cnt = @@rowcount
end
```

Appendix B - Database Design

```
-- if no such customer
    if (@cnt = 0)
    begin
        raiserror("Customer not found",18,1)
        goto custnotfound
    end
-- get order info
    select @o_id = o_id,
           @o_entry_d = o_entry_d,
           @o_carrier_id = o_carrier_id
    from orders (serializable)
    where o_c_id = @c_id and
          o_d_id = @d_id and
          o_w_id = @w_id
    order by o_id asc
-- select order lines for the current order
    select ol_supply_w_id,
           ol_i_id,
           ol_quantity,
           ol_amount,
           ol_delivery_d
    from order_line (repeatable)
    where ol_o_id = @o_id and
          ol_d_id = @d_id and
          ol_w_id = @w_id

custnotfound:
commit tran o
-- return data to client
select @c_id,
       @c_last,
       @c_first,
       @c_middle,
       @o_entry_d,
       @o_carrier_id,
       @c_balance,
       @o_id

go
```

delivery.sql

```
-- File: DELIVERY.SQL
-- Microsoft TPC-C Benchmark Kit Ver. 4.00
-- Copyright Microsoft, 1996
-- Purpose: Creates delivery transaction stored procedure
```

```
use tpcc
go
if exists (select name from sysobjects where name = "tpcc_delivery" )
    drop procedure tpcc_delivery
go
create proc tpcc_delivery @w_id smallint,
                        @o_carrier_id smallint
as
declare @d_id tinyint,
        @o_id int,
        @c_id int,
        @total numeric(12,2),
        @oid1 int,
        @oid2 int,
        @oid3 int,
        @oid4 int,
        @oid5 int,
        @oid6 int,
        @oid7 int,
        @oid8 int,
        @oid9 int,
        @oid10 int

select @d_id = 0
begin tran d
    while (@d_id < 10)
    begin
        select @d_id = @d_id + 1,
               @total = 0,
               @o_id = 0

        select top 1 @o_id = no_o_id
        from new_order (serializable uplock)
        where no_w_id = @w_id and
              no_d_id = @d_id
        order by no_o_id asc

        if (@@rowcount <> 0)
        begin
-- claim the order for this district

            delete new_order
            where no_w_id = @w_id and
                  no_d_id = @d_id and
                  no_o_id = @o_id

-- set carrier_id on this order (and get customer id)

            update orders
            set o_carrier_id = @o_carrier_id,
                @c_id = o_c_id
            where o_w_id = @w_id and
                  o_d_id = @d_id and
                  o_id = @o_id
```

Appendix B - Database Design

```
-- set date in all lineitems for this order (and sum amounts)

update order_line
  set ol_delivery_d = getdate(),
      @total        = @total + ol_amount
where ol_w_id = @w_id and
      ol_d_id = @d_id and
      ol_o_id = @o_id

-- accumulate lineitem amounts for this order into customer

update customer
  set c_balance      = c_balance + @total,
      c_delivery_cnt = c_delivery_cnt + 1
where c_w_id = @w_id and
      c_d_id = @d_id and
      c_id   = @c_id

end

select @oid1 = case @d_id when 1 then @o_id else @oid1 end,
       @oid2 = case @d_id when 2 then @o_id else @oid2 end,
       @oid3 = case @d_id when 3 then @o_id else @oid3 end,
       @oid4 = case @d_id when 4 then @o_id else @oid4 end,
       @oid5 = case @d_id when 5 then @o_id else @oid5 end,
       @oid6 = case @d_id when 6 then @o_id else @oid6 end,
       @oid7 = case @d_id when 7 then @o_id else @oid7 end,
       @oid8 = case @d_id when 8 then @o_id else @oid8 end,
       @oid9 = case @d_id when 9 then @o_id else @oid9 end,
       @oid10 = case @d_id when 10 then @o_id else @oid10 end

end

commit tran d

-- return delivery data to client

select @oid1,
       @oid2,
       @oid3,
       @oid4,
       @oid5,
       @oid6,
       @oid7,
       @oid8,
       @oid9,
       @oid10

go
```

stocklev.sql

```
-- File:      STOCKLEV.SQL
--           Microsoft TPC-C Benchmark Kit Ver. 4.00
--           Copyright Microsoft, 1996
-- Purpose:   Creates stock level transaction stored procedure

use tpcc
go
```

```
if exists (select name from sysobjects where name = "tpcc_stocklevel" )
  drop procedure tpcc_stocklevel
go

create proc tpcc_stocklevel @w_id          smallint,
                           @d_id          tinyint,
                           @threshold    smallint

as

  declare @o_id_low int,
          @o_id_high int

  select @o_id_low = (d_next_o_id - 20),
         @o_id_high = (d_next_o_id - 1)
  from district
  where d_w_id = @w_id and
        d_id   = @d_id

  select count(distinct(s_i_id))
  from stock, order_line
  where ol_w_id = @w_id and
        ol_d_id = @d_id and
        ol_o_id between @o_id_low and @o_id_high and
        s_w_id = ol_w_id and
        s_i_id = ol_i_id and
        s_quantity < @threshold

go
```

Loader Source Code

tpcc.h

```
// File:      TPCC.H
//           Microsoft TPC-C Kit Ver. 4.00
//           Copyright Microsoft, 1996, 1997, 1998

// Purpose:   Header file for TPC-C database loader

// Build number of TPC Benchmark Kit
#define TPCKIT_VER "4.00"

// General headers
#include <windows.h>
#include <winbase.h>
#include <stdlib.h>
#include <stdio.h>
#include <process.h>
#include <stddef.h>
#include <stdarg.h>
#include <string.h>
```

Appendix B - Database Design

```

#include <time.h>
#include <sys\timeb.h>
#include <sys\types.h>

// ODBC headers
#include <sql.h>
#include <sqlext.h>
#include <odbcss.h>

// General constants
#define MILLI 1000
#define FALSE 0
#define TRUE 1
#define UNDEF -1
#define MINPRINTASCII 32
#define MAXPRINTASCII 126

// Default environment constants
#define SERVER ""
#define DATABASE "tpcc"
#define USER "sa"
#define PASSWORD ""

// Default loader arguments
#define BATCH 10000
#define DEFILDPACKSIZE 32768
#define ORDERS_PER_DIST 3000
#define LOADER_RES_FILE "logs\\load.out"
#define LOADER_NURAND_C 123
#define DEF_STARTING_WAREHOUSE 1
#define BUILD_INDEX 1 // build both data
and indexes
#define INDEX_ORDER 1 // build indexes
before load
#define SCALE_DOWN 0 // build a normal scale
database
#define INDEX_SCRIPT_PATH "scripts"

typedef struct
{
    char *server;
    char *database;
    char *user;
    char *password;
    BOOL tables_all;
    // set if loading all tables
    BOOL table_item;
    // set if loading ITEM table specifically
    BOOL table_warehouse; // set if loading
WAREHOUSE, DISTRICT, and STOCK
    BOOL table_customer; // set if
loading CUSTOMER and HISTORY
    BOOL table_orders; // set if
loading NEW-ORDER, ORDERS, ORDER-LINE
    long num_warehouses;
    long batch;
    long verbose;
    long pack_size;
    char *loader_res_file;
    char *synch_servername;
    long case_sensitivity;
    long starting_warehouse;
    long build_index;

```

```

long index_order;
long scale_down;
char *index_script_path;
} TPCCCLR_ARGS;

// String length constants
#define SERVER_NAME_LEN 20
#define DATABASE_NAME_LEN 20
#define USER_NAME_LEN 20
#define PASSWORD_LEN 20
#define TABLE_NAME_LEN 20
#define I_DATA_LEN 50
#define I_NAME_LEN 24
#define BRAND_LEN 1
#define LAST_NAME_LEN 16
#define W_NAME_LEN 10
#define ADDRESS_LEN 20
#define STATE_LEN 2
#define ZIP_LEN 9
#define S_DIST_LEN 24
#define S_DATA_LEN 50
#define D_NAME_LEN 10
#define FIRST_NAME_LEN 16
#define MIDDLE_NAME_LEN 2
#define PHONE_LEN 16
#define CREDIT_LEN 2
#define C_DATA_LEN 500
#define H_DATA_LEN 24
#define DIST_INFO_LEN 24
#define MAX_OL_NEW_ORDER_ITEMS 15
#define MAX_OL_ORDER_STATUS_ITEMS 15
#define STATUS_LEN 25
#define OL_DIST_INFO_LEN 24
#define C_SINCE_LEN 23
#define H_DATE_LEN 23
#define OL_DELIVERY_D_LEN 23
#define O_ENTRY_D_LEN 23

// Functions in random.c
void seed();
long irand();
double drand();
void WUCreate();
short WURand();
long RandomNumber(long lower, long upper);

// Functions in getargs.c;
void GetArgsLoader();
void GetArgsLoaderUsage();

// Functions in time.c
long TimeNow();

// Functions in strings.c
void MakeAddress();
void LastName();
int MakeAlphaString();
int MakeOriginalAlphaString();
int MakeNumberString();
int MakeZipNumberString();
void InitString();
void InitAddress();

```

Appendix B - Database Design

```
void PaddString();
```

tpccldr.c

```
// File: TPCCLDR.C
// Microsoft TPC-C Kit Ver. 4.00
// Copyright Microsoft, 1996, 1997, 1998
// Purpose: Source file for TPC-C database loader

// Includes
#include "tpcc.h"
#include "search.h"

// Defines
#define MAXITEMS 100000
#define MAXITEMS_SCALE_DOWN 100
#define CUSTOMERS_PER_DISTRICT 3000
#define CUSTOMERS_SCALE_DOWN 30
#define DISTRICT_PER_WAREHOUSE 10
#define ORDERS_PER_DISTRICT 3000
#define ORDERS_SCALE_DOWN 30
#define MAX_CUSTOMER_THREADS 2
#define MAX_ORDER_THREADS 3
#define MAX_MAIN_THREADS 4

// Functions declarations

void HandleErrorDBC (SQLHDBC hdbc1);

long NURand();
void LoadItem();
void LoadWarehouse();

void Stock();
void District();

void LoadCustomer();
void CustomerBufInit();
void CustomerBufLoad();
void LoadCustomerTable();
void LoadHistoryTable();

void LoadOrders();
void OrdersBufInit();
void OrdersBufLoad();
void LoadOrdersTable();
void LoadNewOrderTable();
void LoadOrderLineTable();
void GetPermutation();
void CheckForCommit();
void OpenConnections();
void BuildIndex();
void FormatDate ();
```

```
// Shared memory structures

typedef struct
{
    long ol;
    long ol_i_id;
    short ol_supply_w_id;
    short ol_quantity;
    double ol_amount;
    char ol_dist_info[DIST_INFO_LEN+1];
    char ol_delivery_d[OL_DELIVERY_D_LEN+1];
} ORDER_LINE_STRUCT;

typedef struct
{
    long o_id;
    short o_d_id;
    short o_w_id;
    long o_c_id;
    short o_carrier_id;
    short o_ol_cnt;
    short o_all_local;
    ORDER_LINE_STRUCT o_ol[15];
} ORDERS_STRUCT;

typedef struct
{
    long c_id;
    short c_d_id;
    short c_w_id;
    char c_first[FIRST_NAME_LEN+1];
    char c_middle[MIDDLE_NAME_LEN+1];
    char c_last[LAST_NAME_LEN+1];
    char c_street_1[ADDRESS_LEN+1];
    char c_street_2[ADDRESS_LEN+1];
    char c_city[ADDRESS_LEN+1];
    char c_state[STATE_LEN+1];
    char c_zip[ZIP_LEN+1];
    char c_phone[PHONE_LEN+1];
    char c_credit[CREDIT_LEN+1];
    double c_credit_lim;
    double c_discount;
    // fix to avoid ODBC float to numeric conversion problem.
    // double c_balance;
    char c_balance[6];

    double c_ytd_payment;
    short c_payment_cnt;
    short c_delivery_cnt;
    char c_data[C_DATA_LEN+1];
    double h_amount;
    char h_data[H_DATA_LEN+1];
} CUSTOMER_STRUCT;

typedef struct
{
    char c_last[LAST_NAME_LEN+1];
    char c_first[FIRST_NAME_LEN+1];
    long c_id;
} CUSTOMER_SORT_STRUCT;

typedef struct
{
```

Appendix B - Database Design

```
    long          time_start;
} LOADER_TIME_STRUCT;

// Global variables

char          szLastError[300];

HENV          henv;

HDBC          i_hdbc1;          // for ITEM table
HDBC          w_hdbc1;          // for WAREHOUSE, DISTRICT,
STOCK
HDBC          c_hdbc1;          // for CUSTOMER
HDBC          c_hdbc2;          // for HISTORY
HDBC          o_hdbc1;          // for ORDERS
HDBC          o_hdbc2;          // for NEW-ORDER

HDBC          o_hdbc3;          // for ORDER-LINE

HSTMT         i_hstmt1;
HSTMT         w_hstmt1;
HSTMT         c_hstmt1, c_hstmt2;
HSTMT         o_hstmt1, o_hstmt2, o_hstmt3;

ORDERS_STRUCT orders_buf[ORDERS_PER_DISTRICT];
CUSTOMER_STRUCT customer_buf[CUSTOMERS_PER_DISTRICT];
long          orders_rows_loaded;
long          new_order_rows_loaded;
long          order_line_rows_loaded;
long          history_line_loaded;
long          customer_rows_loaded;
long          stock_rows_loaded;
long          district_rows_loaded;
long          item_rows_loaded;
long          warehouse_rows_loaded;
long          main_time_start;
long          main_time_end;
long          max_items;
long          customers_per_district;
long          orders_per_district;
long          first_new_order;
long          last_new_order;

TPCCLDR_ARGS *aptr, args;

//=====
//
// Function name: main
//
//=====

int main(int argc, char **argv)
{
    DWORD          dwThreadID[MAX_MAIN_THREADS];
    HANDLE          hThread[MAX_MAIN_THREADS];
    FILE           *fLoader;
    char           buffer[255];
    int            i;
```

```
    for (i=0; i<MAX_MAIN_THREADS; i++)
        hThread[i] = NULL;

    printf("\n*****");
    printf("\n*          *");
    printf("\n* Microsoft SQL Server *");
    printf("\n*          *");
    printf("\n* TPC-C BENCHMARK KIT: Database loader *");
    printf("\n* Version %s *", TPCKIT_VER);
    printf("\n*          *");
    printf("\n*****\n\n");

    // process command line arguments

    aptr = &args;
    GetArgsLoader(argc, argv, aptr);

    printf("Build interface is ODBC.\n");

    if (aptr->build_index == 0)
        printf("Data load only - no index creation.\n");
    else
        printf("Data load and index creation.\n");

    if (aptr->index_order == 0)
        printf("Clustered indexes will be created after bulk load.\n");
    else
        printf("Clustered indexes will be created before bulk load.\n");

    // set database scale values
    if (aptr->scale_down == 1)
    {
        printf("**** Scaled Down Database ****\n");
        max_items = MAXITEMS_SCALE_DOWN;
        customers_per_district = CUSTOMERS_SCALE_DOWN;
        orders_per_district = ORDERS_SCALE_DOWN;
        first_new_order = 0;
        last_new_order = 30;
    }
    else
    {
        max_items = MAXITEMS;
        customers_per_district = CUSTOMERS_PER_DISTRICT;
        orders_per_district = ORDERS_PER_DISTRICT;
        first_new_order = 2100;
        last_new_order = 3000;
    }

    // open connections to SQL Server

    OpenConnections();

    // open file for loader results
    fLoader = fopen(aptr->loader_res_file, "w");

    if (fLoader == NULL)
    {
        printf("Error, loader result file open failed.");
        exit(-1);
    }

    // start loading data
```


Appendix B - Database Design

```
    sprintf(buffer, "TPC-C load started for %ld warehouses.\n", aptr->num_warehouses);
    printf("%s", buffer);
    fprintf(fLoader, "%s", buffer);
    main_time_start = (TimeNow() / MILLI);
    // start parallel load threads

    if (aptr->tables_all || aptr->table_item)
    {
        fprintf(fLoader, "\nStarting loader threads for: item\n");
        hThread[0] = CreateThread(NULL,
                                0,
                                (LPTHREAD_START_ROUTINE) LoadItem,
                                NULL,
                                0,
                                &dwThreadID[0]);
        if (hThread[0] == NULL)
        {
            printf("Error, failed in creating creating thread = 0.\n");
            exit(-1);
        }
    }
    if (aptr->tables_all || aptr->table_warehouse)
    {
        fprintf(fLoader, "Starting loader threads for: warehouse\n");
        hThread[1] = CreateThread(NULL,
                                0,
                                (LPTHREAD_START_ROUTINE) LoadWarehouse,
                                NULL,
                                0,
                                &dwThreadID[1]);
        if (hThread[1] == NULL)
        {
            printf("Error, failed in creating creating thread = 1.\n");
            exit(-1);
        }
    }
    if (aptr->tables_all || aptr->table_customer)
    {
        fprintf(fLoader, "Starting loader threads for: customer\n");
        hThread[2] = CreateThread(NULL,
                                0,
                                (LPTHREAD_START_ROUTINE) LoadCustomer,
                                NULL,
                                0,
                                &dwThreadID[2]);
        if (hThread[2] == NULL)
        {
            printf("Error, failed in creating creating main thread =
2.\n");
        }
    }
    if (aptr->tables_all || aptr->table_orders)
    {
        fprintf(fLoader, "Starting loader threads for: orders\n");
        hThread[3] = CreateThread(NULL,
                                0,
                                (LPTHREAD_START_ROUTINE) LoadOrders,
                                NULL,
                                0,
                                &dwThreadID[3]);
        if (hThread[3] == NULL)
        {
            printf("Error, failed in creating creating main thread =
3.\n");
            exit(-1);
        }
    }
    // Wait for threads to finish...
    for (i=0; i<MAX_MAIN_THREADS; i++)
    {
        if (hThread[i] != NULL)
        {
            WaitForSingleObject( hThread[i], INFINITE );
            CloseHandle(hThread[i]);
            hThread[i] = NULL;
        }
    }
    main_time_end = (TimeNow() / MILLI);
    sprintf(buffer, "\nTPC-C load completed successfully in %ld minutes.\n",
            (main_time_end - main_time_start)/60);
    printf("%s", buffer);
    fprintf(fLoader, "%s", buffer);
    fclose(fLoader);
    SQLFreeEnv(henv);
    exit(0);
    return 0;
}
//=====
//
// Function name: LoadItem
//
//=====
```

Appendix B - Database Design

```
void LoadItem()
{
    long          i_id;
    long          i_im_id;
    char          i_name[I_NAME_LEN+1];
    double        i_price;
    char          i_data[I_DATA_LEN+1];
    char          name[20];
    long          time_start;
    RETCODE       rc;
    DBINT         rcint;
    char          bcp hint[128];

    // Seed with unique number
    seed(1);

    printf("Loading item table...\n");

    // if build index before load
    if ((aptr->build_index == 1) && (aptr->index_order == 1))
        BuildIndex("idxitmcl");

    InitString(i_name, I_NAME_LEN+1);
    InitString(i_data, I_DATA_LEN+1);

    sprintf(name, "%s..%s", aptr->database, "item");

    rc = bcp_init(i_hdbc1, name, NULL, "logs\\item.err", DB_IN);
    if (rc != SUCCEED)
        HandleErrorDBC(i_hdbc1);

    if ((aptr->build_index == 1) && (aptr->index_order == 1))
    {
        sprintf(bcp hint, "tablock, order (i_id), ROWS_PER_BATCH = 100000");
        rc = bcp_control(i_hdbc1, BCPHINTS, (void*) bcp hint);
        if (rc != SUCCEED)
            HandleErrorDBC(i_hdbc1);
    }

1);
    rc = bcp_bind(i_hdbc1, (BYTE *) &i_id, 0, SQL_VARLEN_DATA, NULL, 0, SQLINT4,
    if (rc != SUCCEED)
        HandleErrorDBC(i_hdbc1);

2);
    rc = bcp_bind(i_hdbc1, (BYTE *) &i_im_id, 0, SQL_VARLEN_DATA, NULL, 0, SQLINT4,
    if (rc != SUCCEED)
        HandleErrorDBC(i_hdbc1);

    rc = bcp_bind(i_hdbc1, (BYTE *) i_name, 0, I_NAME_LEN, NULL, 0, 0, 3);
    if (rc != SUCCEED)
        HandleErrorDBC(i_hdbc1);

4);
    rc = bcp_bind(i_hdbc1, (BYTE *) &i_price, 0, SQL_VARLEN_DATA, NULL, 0, SQLFLT8,
    if (rc != SUCCEED)
        HandleErrorDBC(i_hdbc1);

    rc = bcp_bind(i_hdbc1, (BYTE *) i_data, 0, I_DATA_LEN, NULL, 0, 0, 5);
    if (rc != SUCCEED)
        HandleErrorDBC(i_hdbc1);
```

```
time_start = (TimeNow() / MILLI);

item_rows_loaded = 0;

for (i_id = 1; i_id <= max_items; i_id++)
{
    i_im_id = RandomNumber(1L, 10000L);

    MakeAlphaString(14, 24, I_NAME_LEN, i_name);

    i_price = ((float) RandomNumber(100L, 10000L))/100.0;

    MakeOriginalAlphaString(26, 50, I_DATA_LEN, i_data, 10);

    rc = bcp_sendrow(i_hdbc1);
    if (rc != SUCCEED)
        HandleErrorDBC(i_hdbc1);

    item_rows_loaded++;
    CheckForCommit(i_hdbc1, i_hstmt1, item_rows_loaded, "item",
&time_start);
}

rcint = bcp_done(i_hdbc1);
if (rcint < 0)
    HandleErrorDBC(i_hdbc1);

printf("Finished loading item table.\n");

SQLFreeStmt(i_hstmt1, SQL_DROP);
SQLDisconnect(i_hdbc1);
SQLFreeConnect(i_hdbc1);

// if build index after load
if ((aptr->build_index == 1) && (aptr->index_order == 0))
    BuildIndex("idxitmcl");
}

//=====
//
// Function : LoadWarehouse
//
// Loads WAREHOUSE table and loads Stock and District as Warehouses are created
//
//=====

void LoadWarehouse()
{
    short w_id;
    char w_name[W_NAME_LEN+1];
    char w_street_1[ADDRESS_LEN+1];
    char w_street_2[ADDRESS_LEN+1];
    char w_city[ADDRESS_LEN+1];
    char w_state[STATE_LEN+1];
    char w_zip[ZIP_LEN+1];
    double w_tax;
    double w_ytd;
    char name[20];
    long time_start;
    RETCODE rc;
    DBINT rcint;
```

Appendix B - Database Design

```
char    bcphint[128];

// Seed with unique number
seed(2);

printf("Loading warehouse table...\n");

// if build index before load...
if ((aptr->build_index == 1) && (aptr->index_order == 1))
    BuildIndex("idxwarcl");

InitString(w_name, W_NAME_LEN+1);
InitAddress(w_street_1, w_street_2, w_city, w_state, w_zip);

sprintf(name, "%s..%s", aptr->database, "warehouse");

rc = bcp_init(w_hdbc1, name, NULL, "logs\\whouse.err", DB_IN);
if (rc != SUCCEED)
    HandleErrorDBC(w_hdbc1);

if ((aptr->build_index == 1) && (aptr->index_order == 1))
{
    sprintf(bcphint, "tablock, order (w_id), ROWS_PER_BATCH = %d", aptr-
>num_warehouses);
    rc = bcp_control(w_hdbc1, BCPHINTS, (void*) bcphint);
    if (rc != SUCCEED)
        HandleErrorDBC(w_hdbc1);
}

rc = bcp_bind(w_hdbc1, (BYTE *) &w_id, 0, SQL_VARLEN_DATA, NULL, 0, SQLINT2,
1);
if (rc != SUCCEED)
    HandleErrorDBC(w_hdbc1);

rc = bcp_bind(w_hdbc1, (BYTE *) w_name, 0, W_NAME_LEN, NULL, 0, 0, 2);
if (rc != SUCCEED)
    HandleErrorDBC(w_hdbc1);

rc = bcp_bind(w_hdbc1, (BYTE *) w_street_1, 0, ADDRESS_LEN, NULL, 0, 0, 3);
if (rc != SUCCEED)
    HandleErrorDBC(w_hdbc1);

rc = bcp_bind(w_hdbc1, (BYTE *) w_street_2, 0, ADDRESS_LEN, NULL, 0, 0, 4);
if (rc != SUCCEED)
    HandleErrorDBC(w_hdbc1);

rc = bcp_bind(w_hdbc1, (BYTE *) w_city, 0, ADDRESS_LEN, NULL, 0, 0, 5);
if (rc != SUCCEED)
    HandleErrorDBC(w_hdbc1);

rc = bcp_bind(w_hdbc1, (BYTE *) w_state, 0, STATE_LEN, NULL, 0, 0, 6);
if (rc != SUCCEED)
    HandleErrorDBC(w_hdbc1);

rc = bcp_bind(w_hdbc1, (BYTE *) w_zip, 0, ZIP_LEN, NULL, 0, 0, 7);
if (rc != SUCCEED)
    HandleErrorDBC(w_hdbc1);

rc = bcp_bind(w_hdbc1, (BYTE *) &w_tax, 0, SQL_VARLEN_DATA, NULL, 0, SQLFLT8,
8);
if (rc != SUCCEED)
    HandleErrorDBC(w_hdbc1);
```

```
9);
rc = bcp_bind(w_hdbc1, (BYTE *) &w_ytd, 0, SQL_VARLEN_DATA, NULL, 0, SQLFLT8,
);
if (rc != SUCCEED)
    HandleErrorDBC(w_hdbc1);

time_start = (TimeNow() / MILLI);

warehouse_rows_loaded = 0;

for (w_id = (short)aptr->starting_warehouse; w_id <= aptr->num_warehouses;
w_id++)
{
    MakeAlphaString(6,10, W_NAME_LEN, w_name);
    MakeAddress(w_street_1, w_street_2, w_city, w_state, w_zip);

    w_tax = ((float) RandomNumber(0L,2000L))/10000.00;
    w_ytd = 300000.00;

    rc = bcp_sendrow(w_hdbc1);
    if (rc != SUCCEED)
        HandleErrorDBC(w_hdbc1);

    warehouse_rows_loaded++;
    CheckForCommit(w_hdbc1, i_hstmt1, warehouse_rows_loaded, "warehouse",
&time_start);
}

rcint = bcp_done(w_hdbc1);
if (rcint < 0)
    HandleErrorDBC(w_hdbc1);

printf("Finished loading warehouse table.\n");

// if build index after load...
if ((aptr->build_index == 1) && (aptr->index_order == 0))
    BuildIndex("idxwarcl");

stock_rows_loaded = 0;
district_rows_loaded = 0;

District();
Stock();

}

//=====
//
// Function : District
//
//=====

void District()
{
    short d_id;
    short d_w_id;
    char d_name[D_NAME_LEN+1];
    char d_street_1[ADDRESS_LEN+1];
    char d_street_2[ADDRESS_LEN+1];
    char d_city[ADDRESS_LEN+1];
```

Appendix B - Database Design

```
char d_state[STATE_LEN+1];
char d_zip[ZIP_LEN+1];
double d_tax;
double d_ytd;
char name[20];
long d_next_o_id;
long time_start;
int w_id;
RETCODE rc;
DBINT rcint;
char bcp[128];

// Seed with unique number
seed(4);

printf("Loading district table...\n");

// build index before load
if ((aptr->build_index == 1) && (aptr->index_order == 1))
    BuildIndex("idxdiscl");

InitString(d_name, D_NAME_LEN+1);
InitAddress(d_street_1, d_street_2, d_city, d_state, d_zip);
sprintf(name, "%s..%s", aptr->database, "district");

rc = bcp_init(w_hdbc1, name, NULL, "logs\\district.err", DB_IN);
if (rc != SUCCEED)
    HandleErrorDBC(w_hdbc1);

if ((aptr->build_index == 1) && (aptr->index_order == 1))
{
    sprintf(bcp, "tablock, order (d_w_id, d_id), ROWS_PER_BATCH =
%u", (aptr->num_warehouses * 10));
    rc = bcp_control(w_hdbc1, BCPHINTS, (void*) bcp);
    if (rc != SUCCEED)
        HandleErrorDBC(w_hdbc1);
}

1); rc = bcp_bind(w_hdbc1, (BYTE *) &d_id, 0, SQL_VARLEN_DATA, NULL, 0, SQLINT2,
    if (rc != SUCCEED)
        HandleErrorDBC(w_hdbc1);

2); rc = bcp_bind(w_hdbc1, (BYTE *) &d_w_id, 0, SQL_VARLEN_DATA, NULL, 0, SQLINT2,
    if (rc != SUCCEED)
        HandleErrorDBC(w_hdbc1);

rc = bcp_bind(w_hdbc1, (BYTE *) d_name, 0, D_NAME_LEN, NULL, 0, 0, 3);
if (rc != SUCCEED)
    HandleErrorDBC(w_hdbc1);

rc = bcp_bind(w_hdbc1, (BYTE *) d_street_1, 0, ADDRESS_LEN, NULL, 0, 0, 4);
if (rc != SUCCEED)
    HandleErrorDBC(w_hdbc1);

rc = bcp_bind(w_hdbc1, (BYTE *) d_street_2, 0, ADDRESS_LEN, NULL, 0, 0, 5);
if (rc != SUCCEED)
    HandleErrorDBC(w_hdbc1);

rc = bcp_bind(w_hdbc1, (BYTE *) d_city, 0, ADDRESS_LEN, NULL, 0, 0, 6);
if (rc != SUCCEED)
    HandleErrorDBC(w_hdbc1);
```

```
rc = bcp_bind(w_hdbc1, (BYTE *) d_state, 0, STATE_LEN, NULL, 0, 0, 7);
if (rc != SUCCEED)
    HandleErrorDBC(w_hdbc1);

rc = bcp_bind(w_hdbc1, (BYTE *) d_zip, 0, ZIP_LEN, NULL, 0, 0, 8);
if (rc != SUCCEED)
    HandleErrorDBC(w_hdbc1);

9); rc = bcp_bind(w_hdbc1, (BYTE *) &d_tax, 0, SQL_VARLEN_DATA, NULL, 0, SQLFLT8,
    if (rc != SUCCEED)
        HandleErrorDBC(w_hdbc1);

10); rc = bcp_bind(w_hdbc1, (BYTE *) &d_ytd, 0, SQL_VARLEN_DATA, NULL, 0, SQLFLT8,
    if (rc != SUCCEED)
        HandleErrorDBC(w_hdbc1);

SQLINT4, 11); rc = bcp_bind(w_hdbc1, (BYTE *) &d_next_o_id, 0, SQL_VARLEN_DATA, NULL, 0,
    if (rc != SUCCEED)
        HandleErrorDBC(w_hdbc1);

d_ytd = 30000.0;
d_next_o_id = orders_per_district+1;
time_start = (TimeNow() / MILLI);

for (w_id = aptr->starting_warehouse; w_id <= aptr->num_warehouses; w_id++)
{
    d_w_id = w_id;
    for (d_id = 1; d_id <= DISTRICT_PER_WAREHOUSE; d_id++)
    {
        MakeAlphaString(6,10,D_NAME_LEN, d_name);
        MakeAddress(d_street_1, d_street_2, d_city, d_state,
            d_tax = ((float) RandomNumber(0L,2000L))/10000.00;
        rc = bcp_sendrow(w_hdbc1);
        if (rc != SUCCEED)
            HandleErrorDBC(w_hdbc1);
        district_rows_loaded++;
        CheckForCommit(w_hdbc1, w_hstmt1, district_rows_loaded,
            "district", &time_start);
    }
}

rcint = bcp_done(w_hdbc1);
if (rcint < 0)
    HandleErrorDBC(w_hdbc1);

printf("Finished loading district table.\n");

// if build index after load...
if ((aptr->build_index == 1) && (aptr->index_order == 0))
    BuildIndex("idxdiscl");
```

Appendix B - Database Design

```
    return;
}

//=====
//
// Function   : Stock
//
//=====

void Stock()
{
    long   s_i_id;
    short  s_w_id;
    short  s_quantity;
    char   s_dist_01[S_DIST_LEN+1];
    char   s_dist_02[S_DIST_LEN+1];
    char   s_dist_03[S_DIST_LEN+1];
    char   s_dist_04[S_DIST_LEN+1];
    char   s_dist_05[S_DIST_LEN+1];
    char   s_dist_06[S_DIST_LEN+1];
    char   s_dist_07[S_DIST_LEN+1];
    char   s_dist_08[S_DIST_LEN+1];
    char   s_dist_09[S_DIST_LEN+1];
    char   s_dist_10[S_DIST_LEN+1];
    long   s_ytd;
    short  s_order_cnt;
    short  s_remote_cnt;
    char   s_data[S_DATA_LEN+1];
    short  len;
    char   name[20];
    long   time_start;
    RETCODE rc;
    DBINT  rcint;
    char   bcphint[128];

    // Seed with unique number
    seed(3);

    // if build index before load...
    if ((aptr->build_index == 1) && (aptr->index_order == 1))
        BuildIndex("idxstkcl");

    sprintf(name, "%s.%s", aptr->database, "stock");

    rc = bcp_init(w_hdbc1, name, NULL, "logs\\stock.err", DB_IN);
    if (rc != SUCCEED)
        HandleErrorDBC(w_hdbc1);

    if ((aptr->build_index == 1) && (aptr->index_order == 1))
    {
        sprintf(bcphint, "tablock, order (s_i_id, s_w_id), ROWS_PER_BATCH =
%u", (aptr->num_warehouses * 100000));
        rc = bcp_control(w_hdbc1, BCPHINTS, (void*) bcphint);
        if (rc != SUCCEED)
            HandleErrorDBC(w_hdbc1);
    }

    rc = bcp_bind(w_hdbc1, (BYTE *) &s_i_id, 0, SQL_VARLEN_DATA, NULL, 0, SQLINT4,
1);
    if (rc != SUCCEED)
        HandleErrorDBC(w_hdbc1);
```

```
        bcp_bind(w_hdbc1, (BYTE *) &s_w_id, 0, SQL_VARLEN_DATA, NULL, 0, SQLINT2, 2);
        if (rc != SUCCEED)
            HandleErrorDBC(w_hdbc1);

        rc = bcp_bind(w_hdbc1, (BYTE *) &s_quantity, 0, SQL_VARLEN_DATA, NULL, 0,
SQLINT2, 3);
        if (rc != SUCCEED)
            HandleErrorDBC(w_hdbc1);

        rc = bcp_bind(w_hdbc1, (BYTE *) s_dist_01, 0, S_DIST_LEN, NULL, 0, 0, 4);
        if (rc != SUCCEED)
            HandleErrorDBC(w_hdbc1);

        rc = bcp_bind(w_hdbc1, (BYTE *) s_dist_02, 0, S_DIST_LEN, NULL, 0, 0, 5);
        if (rc != SUCCEED)
            HandleErrorDBC(w_hdbc1);

        rc = bcp_bind(w_hdbc1, (BYTE *) s_dist_03, 0, S_DIST_LEN, NULL, 0, 0, 6);
        if (rc != SUCCEED)
            HandleErrorDBC(w_hdbc1);

        rc = bcp_bind(w_hdbc1, (BYTE *) s_dist_04, 0, S_DIST_LEN, NULL, 0, 0, 7);
        if (rc != SUCCEED)
            HandleErrorDBC(w_hdbc1);

        rc = bcp_bind(w_hdbc1, (BYTE *) s_dist_05, 0, S_DIST_LEN, NULL, 0, 0, 8);
        if (rc != SUCCEED)
            HandleErrorDBC(w_hdbc1);

        rc = bcp_bind(w_hdbc1, (BYTE *) s_dist_06, 0, S_DIST_LEN, NULL, 0, 0, 9);
        if (rc != SUCCEED)
            HandleErrorDBC(w_hdbc1);

        rc = bcp_bind(w_hdbc1, (BYTE *) s_dist_07, 0, S_DIST_LEN, NULL, 0, 0, 10);
        if (rc != SUCCEED)
            HandleErrorDBC(w_hdbc1);

        rc = bcp_bind(w_hdbc1, (BYTE *) s_dist_08, 0, S_DIST_LEN, NULL, 0, 0, 11);
        if (rc != SUCCEED)
            HandleErrorDBC(w_hdbc1);

        rc = bcp_bind(w_hdbc1, (BYTE *) s_dist_09, 0, S_DIST_LEN, NULL, 0, 0, 12);
        if (rc != SUCCEED)
            HandleErrorDBC(w_hdbc1);

        rc = bcp_bind(w_hdbc1, (BYTE *) s_dist_10, 0, S_DIST_LEN, NULL, 0, 0, 13);
        if (rc != SUCCEED)
            HandleErrorDBC(w_hdbc1);

        rc = bcp_bind(w_hdbc1, (BYTE *) &s_ytd, 0, SQL_VARLEN_DATA, NULL, 0, SQLINT4,
14);
        if (rc != SUCCEED)
            HandleErrorDBC(w_hdbc1);

        rc = bcp_bind(w_hdbc1, (BYTE *) &s_order_cnt, 0, SQL_VARLEN_DATA, NULL, 0,
SQLINT2, 15);
        if (rc != SUCCEED)
            HandleErrorDBC(w_hdbc1);

        rc = bcp_bind(w_hdbc1, (BYTE *) &s_remote_cnt, 0, SQL_VARLEN_DATA, NULL, 0,
SQLINT2, 16);
        if (rc != SUCCEED)
            HandleErrorDBC(w_hdbc1);
```

Appendix B - Database Design

```
rc = bcp_bind(w_hdbc1, (BYTE *) s_data, 0, S_DATA_LEN, NULL, 0, 0, 17);
if (rc != SUCCEED)
    HandleErrorDBC(w_hdbc1);

s_ytd = s_order_cnt = s_remote_cnt = 0;

time_start = (TimeNow() / MILLI);

printf("...Loading stock table\n");

for (s_i_id=1; s_i_id <= max_items; s_i_id++)
{
    for (s_w_id = (short)aptr->starting_warehouse; s_w_id <= aptr-
>num_warehouses; s_w_id++)
    {
        s_quantity = (short)RandomNumber(10L,100L);
        len = MakeAlphaString(24,24,S_DIST_LEN, s_dist_01);
        len = MakeAlphaString(24,24,S_DIST_LEN, s_dist_02);
        len = MakeAlphaString(24,24,S_DIST_LEN, s_dist_03);
        len = MakeAlphaString(24,24,S_DIST_LEN, s_dist_04);
        len = MakeAlphaString(24,24,S_DIST_LEN, s_dist_05);
        len = MakeAlphaString(24,24,S_DIST_LEN, s_dist_06);
        len = MakeAlphaString(24,24,S_DIST_LEN, s_dist_07);
        len = MakeAlphaString(24,24,S_DIST_LEN, s_dist_08);
        len = MakeAlphaString(24,24,S_DIST_LEN, s_dist_09);
        len = MakeAlphaString(24,24,S_DIST_LEN, s_dist_10);

        len = MakeOriginalAlphaString(26,50, S_DATA_LEN,
s_data,10);

        rc = bcp_sendrow(w_hdbc1);
        if (rc != SUCCEED)
            HandleErrorDBC(w_hdbc1);

        stock_rows_loaded++;
        CheckForCommit(w_hdbc1, w_hstmt1, stock_rows_loaded,
"stock", &time_start);
    }
}

rcint = bcp_done(w_hdbc1);
if (rcint < 0)
    HandleErrorDBC(w_hdbc1);

printf("Finished loading stock table.\n");

SQLFreeStmt(w_hstmt1, SQL_DROP);
SQLDisconnect(w_hdbc1);
SQLFreeConnect(w_hdbc1);

// if build index after load...
if ((aptr->build_index == 1) && (aptr->index_order == 0))
    BuildIndex("idxstkcl");

return;
}

//=====
```

```
//
// Function : LoadCustomer
//
//=====

void LoadCustomer()
{
    LOADER_TIME_STRUCT    customer_time_start;
    LOADER_TIME_STRUCT    history_time_start;
    short                 w_id;
    short                 d_id;
    DWORD                 dwThreadId[MAX_CUSTOMER_THREADS];
    HANDLE                 hThread[MAX_CUSTOMER_THREADS];
    char                  name[20];
    RETCODE                rc;
    DBINT                 rcint;
    char                  bcphint[128];
    char                  cmd[256];
    char                  rc_l;
    // SQLRETURN
    // SQLSMALLINT
    // SQLCHAR
    Msg[SQL_MAX_MESSAGE_LENGTH];
    // SQLINTEGER
    NativeError;

    // Seed with unique number
    seed(5);

    printf("Loading customer and history tables...\n");

    // if build index before load...
    if ((aptr->build_index == 1) && (aptr->index_order == 1))
        BuildIndex("idxcuscl");

    // Initialize bulk copy
    sprintf(name, "%s.%s", aptr->database, "customer");

    rc = bcp_init(c_hdbc1, name, NULL, "logs\\customer.err", DB_IN);
    if (rc != SUCCEED)
        HandleErrorDBC(c_hdbc1);

    if ((aptr->build_index == 1) && (aptr->index_order == 1))
    {
        sprintf(bcphint, "tablock, order (c_w_id, c_d_id, c_id),
ROWS_PER_BATCH = %u", (aptr->num_warehouses * 30000));
        rc = bcp_control(c_hdbc1, BCPHINTS, (void*) bcphint);
        if (rc != SUCCEED)
            HandleErrorDBC(c_hdbc1);
    }

    sprintf(name, "%s.%s", aptr->database, "history");

    rc = bcp_init(c_hdbc2, name, NULL, "logs\\history.err", DB_IN);
    if (rc != SUCCEED)
        HandleErrorDBC(c_hdbc2);

    sprintf(bcphint, "tablock");
    rc = bcp_control(c_hdbc2, BCPHINTS, (void*) bcphint);
    if (rc != SUCCEED)
        HandleErrorDBC(c_hdbc2);

    customer_rows_loaded    = 0;
    history_rows_loaded     = 0;
}
```

Appendix B - Database Design

```
CustomerBufInit();

customer_time_start.time_start = (TimeNow() / MILLI);
history_time_start.time_start = (TimeNow() / MILLI);

for (w_id = (short)aptr->starting_warehouse; w_id <= aptr->num_warehouses;
w_id++)
{
    for (d_id = 1; d_id <= DISTRICT_PER_WAREHOUSE; d_id++)
    {
        CustomerBufLoad(d_id, w_id);

        // Start parallel loading threads here...

        // Start customer table thread

        printf("...Loading customer table for: d_id = %d, w_id =
%d\n", d_id, w_id);

        hThread[0] = CreateThread(NULL,

0,
(LPTHREAD_START_ROUTINE) LoadCustomerTable,
&customer_time_start,
0,
&dwThreadID[0]);

        if (hThread[0] == NULL)
        {
            printf("Error, failed in creating creating thread
= 0.\n");
            exit(-1);
        }

        // Start History table thread

        printf("...Loading history table for: d_id = %d, w_id =
%d\n", d_id, w_id);

        hThread[1] = CreateThread(NULL,

0,
(LPTHREAD_START_ROUTINE) LoadHistoryTable,
&history_time_start,
0,
&dwThreadID[1]);

        if (hThread[1] == NULL)
        {
            printf("Error, failed in creating creating thread
= 1.\n");
            exit(-1);
        }
    }
}
```

```
WaitForSingleObject( hThread[0], INFINITE );
WaitForSingleObject( hThread[1], INFINITE );

if (CloseHandle(hThread[0]) == FALSE)
{
    printf("Error, failed in closing customer thread
handle with errno: %d\n", GetLastError());
}

if (CloseHandle(hThread[1]) == FALSE)
{
    printf("Error, failed in closing history thread
handle with errno: %d\n", GetLastError());
}

}

// flush the bulk connection
rcint = bcp_done(c_hdbc1);
if (rcint < 0)
    HandleErrorDBC(c_hdbc1);

rcint = bcp_done(c_hdbc2);
if (rcint < 0)
    HandleErrorDBC(c_hdbc2);

printf("Finished loading customer table.\n");

// if build index after load...
if ((aptr->build_index == 1) && (aptr->index_order == 0))
    BuildIndex("idxcuscl");

// build non-clustered index
if (aptr->build_index == 1)
    BuildIndex("idxcusnc");

// Output the NURAND used for the loader into C_FIRST for C_ID = 1,
// C_W_ID = 1, and C_D_ID = 1
sprintf(cmd, "isql -S%s -U%s -P%s -d%s -e -Q\"update customer set c_first =
'C_LOAD = %d' where c_id = 1 and c_w_id = 1 and c_d_id = 1\" > logs\\nurand_load.log",
aptr->server,
aptr->user,
aptr->password,
aptr->database,
LOADER_NURAND_C);

system(cmd);

SQLFreeStmt(c_hstmt1, SQL_DROP);
SQLDisconnect(c_hdbc1);
SQLFreeConnect(c_hdbc1);

SQLFreeStmt(c_hstmt2, SQL_DROP);
SQLDisconnect(c_hdbc2);
SQLFreeConnect(c_hdbc2);

return;
}
```

Appendix B - Database Design

```
//=====
//
// Function   : CustomerBufInit
//
//=====
void CustomerBufInit()
{
    int    i;

    for (i=0;i<customers_per_district;i++)
    {
        customer_buf[i].c_id = 0;
        customer_buf[i].c_d_id = 0;
        customer_buf[i].c_w_id = 0;

        strcpy(customer_buf[i].c_first,"");
        strcpy(customer_buf[i].c_middle,"");
        strcpy(customer_buf[i].c_last,"");
        strcpy(customer_buf[i].c_street_1,"");
        strcpy(customer_buf[i].c_street_2,"");
        strcpy(customer_buf[i].c_city,"");
        strcpy(customer_buf[i].c_state,"");
        strcpy(customer_buf[i].c_zip,"");
        strcpy(customer_buf[i].c_phone,"");
        strcpy(customer_buf[i].c_credit,"");

        customer_buf[i].c_credit_lim = 0;
        customer_buf[i].c_discount = (float) 0;

        // fix to avoid ODBC float to numeric conversion problem.
        // customer_buf[i].c_balance = 0;
        strcpy(customer_buf[i].c_balance,"");

        customer_buf[i].c_ytd_payment = 0;
        customer_buf[i].c_payment_cnt = 0;
        customer_buf[i].c_delivery_cnt = 0;

        strcpy(customer_buf[i].c_data,"");

        customer_buf[i].h_amount = 0;

        strcpy(customer_buf[i].h_data,"");
    }
}

//=====
//
// Function   : CustomerBufLoad
//
// Fills shared buffer for HISTORY and CUSTOMER
//=====
void CustomerBufLoad(int d_id, int w_id)
{
    long          i;
    CUSTOMER_SORT_STRUCT  c[CUSTOMERS_PER_DISTRICT];
```

```
for (i=0;i<customers_per_district;i++)
{
    if (i < 1000)
        LastName(i, c[i].c_last);
    else
        LastName(NURand(255,0,999,LOADER_NURAND_C), c[i].c_last);

    MakeAlphaString(8,16,FIRST_NAME_LEN, c[i].c_first);

    c[i].c_id = i+1;
}

printf("...Loading customer buffer for: d_id = %d, w_id = %d\n",
        d_id, w_id);

for (i=0;i<customers_per_district;i++)
{
    customer_buf[i].c_d_id = d_id;
    customer_buf[i].c_w_id = w_id;
    customer_buf[i].h_amount = 10.0;

    customer_buf[i].c_ytd_payment = 10.0;

    customer_buf[i].c_payment_cnt = 1;
    customer_buf[i].c_delivery_cnt = 0;

    // Generate CUSTOMER and HISTORY data

    customer_buf[i].c_id = c[i].c_id;

    strcpy(customer_buf[i].c_first, c[i].c_first);
    strcpy(customer_buf[i].c_last, c[i].c_last);

    customer_buf[i].c_middle[0] = 'O';
    customer_buf[i].c_middle[1] = 'E';

    MakeAddress(customer_buf[i].c_street_1,
                customer_buf[i].c_street_2,
                customer_buf[i].c_city,
                customer_buf[i].c_state,
                customer_buf[i].c_zip);

    MakeNumberString(16, 16, PHONE_LEN, customer_buf[i].c_phone);

    if (RandomNumber(1L, 100L) > 10)
        customer_buf[i].c_credit[0] = 'G';
    else
        customer_buf[i].c_credit[0] = 'B';
    customer_buf[i].c_credit[1] = 'C';

    customer_buf[i].c_credit_lim = 50000.0;
    customer_buf[i].c_discount = ((float) RandomNumber(0L, 5000L)) /
10000.0;

    // fix to avoid ODBC float to numeric conversion problem.
    // customer_buf[i].c_balance = -10.0;
    strcpy(customer_buf[i].c_balance, "-10.0");
```


Appendix B - Database Design

```
        MakeAlphaString(500, 500, C_DATA_LEN, customer_buf[i].c_data);

        // Generate HISTORY data
        MakeAlphaString(12, 24, H_DATA_LEN, customer_buf[i].h_data);
    }
}

//=====
//
// Function   : LoadCustomerTable
//
//=====

void LoadCustomerTable(LOADER_TIME_STRUCT *customer_time_start)
{
    int         i;
    long        c_id;
    short       c_d_id;
    short       c_w_id;
    char        c_first[FIRST_NAME_LEN+1];
    char        c_middle[MIDDLE_NAME_LEN+1];
    char        c_last[LAST_NAME_LEN+1];
    char        c_street_1[ADDRESS_LEN+1];
    char        c_street_2[ADDRESS_LEN+1];
    char        c_city[ADDRESS_LEN+1];
    char        c_state[STATE_LEN+1];
    char        c_zip[ZIP_LEN+1];
    char        c_phone[PHONE_LEN+1];
    char        c_credit[CREDIT_LEN+1];
    double      c_credit_lim;
    double      c_discount;

    // fix to avoid ODBC float to numeric conversion problem.
    // double      c_balance;
    char        c_balance[6];

    double      c_ytd_payment;
    short       c_payment_cnt;
    short       c_delivery_cnt;
    char        c_data[C_DATA_LEN+1];
    char        c_since[C_SINCE_LEN+1];
    RETCODE     rc;

    rc = bcp_bind(c_hdbc1, (BYTE *) &c_id, 0, SQL_VARLEN_DATA, NULL, 0, SQLINT4, 1);
    if (rc != SUCCEEDED)
        HandleErrorDBC(c_hdbc1);

    rc = bcp_bind(c_hdbc1, (BYTE *) &c_d_id, 0, SQL_VARLEN_DATA, NULL, 0, SQLINT2, 2);
    if (rc != SUCCEEDED)
        HandleErrorDBC(c_hdbc1);

    rc = bcp_bind(c_hdbc1, (BYTE *) &c_w_id, 0, SQL_VARLEN_DATA, NULL, 0, SQLINT2,
3);
    if (rc != SUCCEEDED)
        HandleErrorDBC(c_hdbc1);

    rc = bcp_bind(c_hdbc1, (BYTE *) c_first, 0, FIRST_NAME_LEN, NULL, 0, 0, 4);
    if (rc != SUCCEEDED)
        HandleErrorDBC(c_hdbc1);

    rc = bcp_bind(c_hdbc1, (BYTE *) c_middle, 0, MIDDLE_NAME_LEN, NULL, 0, 0, 5);
```

```
    if (rc != SUCCEEDED)
        HandleErrorDBC(c_hdbc1);

    rc = bcp_bind(c_hdbc1, (BYTE *) c_last, 0, LAST_NAME_LEN, NULL, 0, 0, 6);
    if (rc != SUCCEEDED)
        HandleErrorDBC(c_hdbc1);

    rc = bcp_bind(c_hdbc1, (BYTE *) c_street_1, 0, ADDRESS_LEN, NULL, 0, 0, 7);
    if (rc != SUCCEEDED)
        HandleErrorDBC(c_hdbc1);

    rc = bcp_bind(c_hdbc1, (BYTE *) c_street_2, 0, ADDRESS_LEN, NULL, 0, 0, 8);
    if (rc != SUCCEEDED)
        HandleErrorDBC(c_hdbc1);

    rc = bcp_bind(c_hdbc1, (BYTE *) c_city, 0, ADDRESS_LEN, NULL, 0, 0, 9);
    if (rc != SUCCEEDED)
        HandleErrorDBC(c_hdbc1);

    rc = bcp_bind(c_hdbc1, (BYTE *) c_state, 0, STATE_LEN, NULL, 0, 0, 10);
    if (rc != SUCCEEDED)
        HandleErrorDBC(c_hdbc1);

    rc = bcp_bind(c_hdbc1, (BYTE *) c_zip, 0, ZIP_LEN, NULL, 0, 0, 11);
    if (rc != SUCCEEDED)
        HandleErrorDBC(c_hdbc1);

    rc = bcp_bind(c_hdbc1, (BYTE *) c_phone, 0, PHONE_LEN, NULL, 0, 0, 12);
    if (rc != SUCCEEDED)
        HandleErrorDBC(c_hdbc1);

    rc = bcp_bind(c_hdbc1, (BYTE *) &c_since, 0, C_SINCE_LEN, NULL, 0,
SQLCHARACTER, 13);
    if (rc != SUCCEEDED)
        HandleErrorDBC(c_hdbc1);

    rc = bcp_bind(c_hdbc1, (BYTE *) c_credit, 0, CREDIT_LEN, NULL, 0, 0, 14);
    if (rc != SUCCEEDED)
        HandleErrorDBC(c_hdbc1);

    rc = bcp_bind(c_hdbc1, (BYTE *) &c_credit_lim, 0, SQL_VARLEN_DATA, NULL, 0, SQLFLT8,
15);
    if (rc != SUCCEEDED)
        HandleErrorDBC(c_hdbc1);

    rc = bcp_bind(c_hdbc1, (BYTE *) &c_discount, 0, SQL_VARLEN_DATA, NULL, 0, SQLFLT8,
16);
    if (rc != SUCCEEDED)
        HandleErrorDBC(c_hdbc1);

    // fix to avoid ODBC float to numeric conversion problem.
    // rc = bcp_bind(c_hdbc1, (BYTE *) &c_balance, 0, SQL_VARLEN_DATA, NULL, 0, SQLFLT8,
17);
    // if (rc != SUCCEEDED)
    //     HandleErrorDBC(c_hdbc1);
    rc = bcp_bind(c_hdbc1, (BYTE *) c_balance, 0, 5, NULL, 0, SQLCHARACTER, 17);
    if (rc != SUCCEEDED)
        HandleErrorDBC(c_hdbc1);

    rc = bcp_bind(c_hdbc1, (BYTE *) &c_ytd_payment, 0, SQL_VARLEN_DATA, NULL, 0, SQLFLT8,
18);
```

Appendix B - Database Design

```
        if (rc != SUCCEEDED)
            HandleErrorDBC(c_hdbc1);

    rc = bcp_bind(c_hdbc1, (BYTE *) &c_payment_cnt, 0, SQL_VARLEN_DATA, NULL, 0, SQLINT2,
19);
    if (rc != SUCCEEDED)
        HandleErrorDBC(c_hdbc1);

    rc = bcp_bind(c_hdbc1, (BYTE *) &c_delivery_cnt, 0, SQL_VARLEN_DATA, NULL, 0, SQLINT2,
20);
    if (rc != SUCCEEDED)
        HandleErrorDBC(c_hdbc1);

    rc = bcp_bind(c_hdbc1, (BYTE *) c_data, 0, 500, NULL, 0, 0, 21);
    if (rc != SUCCEEDED)
        HandleErrorDBC(c_hdbc1);

    for (i = 0; i < customers_per_district; i++)
    {
        c_id = customer_buf[i].c_id;
        c_d_id = customer_buf[i].c_d_id;
        c_w_id = customer_buf[i].c_w_id;

        strcpy(c_first, customer_buf[i].c_first);
        strcpy(c_middle, customer_buf[i].c_middle);
        strcpy(c_last, customer_buf[i].c_last);
        strcpy(c_street_1, customer_buf[i].c_street_1);
        strcpy(c_street_2, customer_buf[i].c_street_2);
        strcpy(c_city, customer_buf[i].c_city);
        strcpy(c_state, customer_buf[i].c_state);
        strcpy(c_zip, customer_buf[i].c_zip);
        strcpy(c_phone, customer_buf[i].c_phone);
        strcpy(c_credit, customer_buf[i].c_credit);

        FormatDate(&c_since);

        c_credit_lim = customer_buf[i].c_credit_lim;
        c_discount = customer_buf[i].c_discount;

        // fix to avoid ODBC float to numeric conversion problem.

        // c_balance = customer_buf[i].c_balance;
        strcpy(c_balance, customer_buf[i].c_balance);

        c_ytd_payment = customer_buf[i].c_ytd_payment;
        c_payment_cnt = customer_buf[i].c_payment_cnt;
        c_delivery_cnt = customer_buf[i].c_delivery_cnt;

        strcpy(c_data, customer_buf[i].c_data);

        // Send data to server
        rc = bcp_sendrow(c_hdbc1);
        if (rc != SUCCEEDED)
            HandleErrorDBC(c_hdbc1);

        customer_rows_loaded++;
        CheckForCommit(c_hdbc1, c_hstmt1, customer_rows_loaded, "customer");
&customer_time_start->time_start);
    }
}
```

```
//=====================================================
//
// Function   : LoadHistoryTable
//
//=====================================================

void LoadHistoryTable(LOADER_TIME_STRUCT *history_time_start)
{
    int         i;
    long        c_id;
    short       c_d_id;
    short       c_w_id;
    double      h_amount;
    char        h_data[H_DATA_LEN+1];
    char        h_date[H_DATE_LEN+1];
    RETCODE     rc;

    rc = bcp_bind(c_hdbc2, (BYTE *) &c_id, 0, SQL_VARLEN_DATA, NULL, 0, SQLINT4, 1);
    if (rc != SUCCEEDED)
        HandleErrorDBC(c_hdbc2);

    rc = bcp_bind(c_hdbc2, (BYTE *) &c_d_id, 0, SQL_VARLEN_DATA, NULL, 0, SQLINT2, 2);
    if (rc != SUCCEEDED)
        HandleErrorDBC(c_hdbc2);

    rc = bcp_bind(c_hdbc2, (BYTE *) &c_w_id, 0, SQL_VARLEN_DATA, NULL, 0, SQLINT2, 3);
    if (rc != SUCCEEDED)
        HandleErrorDBC(c_hdbc2);

    rc = bcp_bind(c_hdbc2, (BYTE *) &c_d_id, 0, SQL_VARLEN_DATA, NULL, 0, SQLINT2, 4);
    if (rc != SUCCEEDED)
        HandleErrorDBC(c_hdbc2);

    rc = bcp_bind(c_hdbc2, (BYTE *) &c_w_id, 0, SQL_VARLEN_DATA, NULL, 0, SQLINT2, 5);
    if (rc != SUCCEEDED)
        HandleErrorDBC(c_hdbc2);

    rc = bcp_bind(c_hdbc2, (BYTE *) &h_date, 0, H_DATE_LEN, NULL, 0, SQLCHARACTER,
6);
    if (rc != SUCCEEDED)
        HandleErrorDBC(c_hdbc2);

    rc = bcp_bind(c_hdbc2, (BYTE *) &h_amount, 0, SQL_VARLEN_DATA, NULL, 0, SQLFLT8, 7);
    if (rc != SUCCEEDED)
        HandleErrorDBC(c_hdbc2);

    rc = bcp_bind(c_hdbc2, (BYTE *) h_data, 0, H_DATA_LEN, NULL, 0, 8);
    if (rc != SUCCEEDED)
        HandleErrorDBC(c_hdbc2);

    for (i = 0; i < customers_per_district; i++)
    {
        c_id = customer_buf[i].c_id;
        c_d_id = customer_buf[i].c_d_id;
        c_w_id = customer_buf[i].c_w_id;
        h_amount = customer_buf[i].h_amount;
        strcpy(h_data, customer_buf[i].h_data);

        FormatDate(&h_date);

        // send to server
        rc = bcp_sendrow(c_hdbc2);
        if (rc != SUCCEEDED)
            HandleErrorDBC(c_hdbc2);
    }
}
```

Appendix B - Database Design

```
        HandleErrorDBC(o_hdbc2);

        history_rows_loaded++;
        CheckForCommit(c_hdbc2, c_hstmt2, history_rows_loaded, "history",
&history_time_start->time_start);
    }
}

//=====
//
// Function   : LoadOrders
//
//=====

void LoadOrders()
{
    LOADER_TIME_STRUCT    orders_time_start;
    LOADER_TIME_STRUCT    new_order_time_start;
    LOADER_TIME_STRUCT    order_line_time_start;
    short                 w_id;

    short                 d_id;
    DWORD                 dwThreadID[MAX_ORDER_THREADS];
    HANDLE                 hThread[MAX_ORDER_THREADS];
    char                   name[20];
    RETCODE                rc;
    char                   bcphint[128];

    // seed with unique number
    seed(6);

    printf("Loading orders...\n");

    // if build index before load...
    if ((aptr->build_index == 1) && (aptr->index_order == 1))
    {
        BuildIndex("idxordcl");
        BuildIndex("idxnodcl");
        BuildIndex("idxodlcl");
    }

    // initialize bulk copy
    sprintf(name, "%s..%s", aptr->database, "orders");

    rc = bcp_init(o_hdbc1, name, NULL, "logs\\orders.err", DB_IN);
    if (rc != SUCCEEDED)
        HandleErrorDBC(o_hdbc1);

    if ((aptr->build_index == 1) && (aptr->index_order == 1))
    {
        sprintf(bcphint, "tablock, order (o_w_id, o_d_id, o_id),
ROWS_PER_BATCH = %u", (aptr->num_warehouses * 30000));
        rc = bcp_control(o_hdbc1, BCPHINTS, (void*) bcphint);
        if (rc != SUCCEEDED)
            HandleErrorDBC(o_hdbc1);
    }

    sprintf(name, "%s..%s", aptr->database, "new_order");

    rc = bcp_init(o_hdbc2, name, NULL, "logs\\neword.err", DB_IN);
    if (rc != SUCCEEDED)
        HandleErrorDBC(o_hdbc2);
```

```
        if ((aptr->build_index == 1) && (aptr->index_order == 1))
        {
            sprintf(bcphint, "tablock, order (no_w_id, no_d_id, no_o_id),
ROWS_PER_BATCH = %u", (aptr->num_warehouses * 9000));
            rc = bcp_control(o_hdbc2, BCPHINTS, (void*) bcphint);
            if (rc != SUCCEEDED)
                HandleErrorDBC(o_hdbc2);
        }

        sprintf(name, "%s..%s", aptr->database, "order_line");

        rc = bcp_init(o_hdbc3, name, NULL, "logs\\ordline.err", DB_IN);
        if (rc != SUCCEEDED)
            HandleErrorDBC(o_hdbc3);

        if ((aptr->build_index == 1) && (aptr->index_order == 1))
        {
            sprintf(bcphint, "tablock, order (ol_w_id, ol_d_id, ol_o_id,
ol_number), ROWS_PER_BATCH = %u", (aptr->num_warehouses * 30000));
            rc = bcp_control(o_hdbc3, BCPHINTS, (void*) bcphint);
            if (rc != SUCCEEDED)
                HandleErrorDBC(o_hdbc3);
        }

        orders_rows_loaded = 0;
        new_order_rows_loaded = 0;
        order_line_rows_loaded = 0;

        OrdersBufInit();

        orders_time_start.time_start = (TimeNow() / MILLI);
        new_order_time_start.time_start = (TimeNow() / MILLI);
        order_line_time_start.time_start = (TimeNow() / MILLI);

        for (w_id = (short)aptr->starting_warehouse; w_id <= aptr->num_warehouses;
w_id++)
        {
            for (d_id = 1; d_id <= DISTRICT_PER_WAREHOUSE; d_id++)
            {
                OrdersBufLoad(d_id, w_id);

                // start parallel loading threads here...

                // start Orders table thread
                printf("...Loading Order Table for: d_id = %d, w_id =
%d\n", d_id, w_id);

                hThread[0] = CreateThread(NULL,
0,
(LPTHREAD_START_ROUTINE) LoadOrdersTable,
&orders_time_start,
0,
&dwThreadID[0]);

                if (hThread[0] == NULL)
```

Appendix B - Database Design

```
    {
        printf("Error, failed in creating creating thread
= 0.\n");
        exit(-1);
    }
    // start NewOrder table thread
    printf("...Loading New-Order Table for: d_id = %d, w_id =
%d\n", d_id, w_id);
    hThread[1] = CreateThread(NULL,
0,
(LPTHREAD_START_ROUTINE) LoadNewOrderTable,
&new_order_time_start,
0,
&dwThreadID[1]);
    if (hThread[1] == NULL)
    {
        printf("Error, failed in creating creating thread
= 1.\n");
        exit(-1);
    }
    // start Order-Line table thread
    printf("...Loading Order-Line Table for: d_id = %d, w_id =
%d\n", d_id, w_id);
    hThread[2] = CreateThread(NULL,
0,
(LPTHREAD_START_ROUTINE) LoadOrderLineTable,
&order_line_time_start,
0,
&dwThreadID[2]);
    if (hThread[2] == NULL)
    {
        printf("Error, failed in creating creating thread
= 2.\n");
        exit(-1);
    }
    WaitForSingleObject( hThread[0], INFINITE );
    WaitForSingleObject( hThread[1], INFINITE );
    WaitForSingleObject( hThread[2], INFINITE );
    if (CloseHandle(hThread[0]) == FALSE)
    {
        printf("Error, failed in closing Orders thread
handle with errno: %d\n", GetLastError());
    }
}
```

```
        if (CloseHandle(hThread[1]) == FALSE)
        {
            printf("Error, failed in closing NewOrder thread
handle with errno: %d\n", GetLastError());
        }
        if (CloseHandle(hThread[2]) == FALSE)
        {
            printf("Error, failed in closing OrderLine thread
handle with errno: %d\n", GetLastError());
        }
    }
    printf("Finished loading orders.\n");
}
return;
}
//=====
//
// Function : OrdersBufInit
//
// Clears shared buffer for ORDERS, NEWORDER, and ORDERLINE
//
//=====
void OrdersBufInit()
{
    int i;
    int j;
    for (i=0;i<orders_per_district;i++)
    {
        orders_buf[i].o_id = 0;
        orders_buf[i].o_d_id = 0;
        orders_buf[i].o_w_id = 0;
        orders_buf[i].o_c_id = 0;
        orders_buf[i].o_carrier_id = 0;
        orders_buf[i].o_ol_cnt = 0;
        orders_buf[i].o_all_local = 0;
        for (j=0;j<=14;j++)
        {
            orders_buf[i].o_ol[j].ol = 0;
            orders_buf[i].o_ol[j].ol_i_id = 0;
            orders_buf[i].o_ol[j].ol_supply_w_id = 0;
            orders_buf[i].o_ol[j].ol_quantity = 0;
            orders_buf[i].o_ol[j].ol_amount = 0;
            strcpy(orders_buf[i].o_ol[j].ol_dist_info,"");
        }
    }
}
//=====
//
```

Appendix B - Database Design

```
// Function : OrdersBufLoad
//
// Fills shared buffer for ORDERS, NEWORDER, and ORDERLINE
//
//=====
void OrdersBufLoad(int d_id, int w_id)
{
    int    cust[ORDERS_PER_DIST+1];
    long   o_id;
    short  ol;

    printf("...Loading Order Buffer for: d_id = %d, w_id = %d\n",
           d_id, w_id);

    GetPermutation(cust, ORDERS_PER_DIST);

    for (o_id=0;o_id<orders_per_district;o_id++)
    {
        // Generate ORDER and NEW-ORDER data

        orders_buf[o_id].o_d_id = d_id;
        orders_buf[o_id].o_w_id = w_id;
        orders_buf[o_id].o_id = o_id+1;
        orders_buf[o_id].o_c_id = cust[o_id+1];
        orders_buf[o_id].o_ol_cnt = (short)RandomNumber(5L, 15L);

        if (o_id < first_new_order)
        {
            orders_buf[o_id].o_carrier_id = (short)RandomNumber(1L,
10L);
            orders_buf[o_id].o_all_local = 1;
        }
        else
        {
            orders_buf[o_id].o_carrier_id = 0;
            orders_buf[o_id].o_all_local = 1;
        }

        for (ol=0; ol<orders_buf[o_id].o_ol_cnt; ol++)
        {
            orders_buf[o_id].o_ol[ol].ol = ol+1;
            orders_buf[o_id].o_ol[ol].ol_i_id = RandomNumber(1L,
max_items);
            orders_buf[o_id].o_ol[ol].ol_supply_w_id = w_id;
            orders_buf[o_id].o_ol[ol].ol_quantity = 5;
            MakeAlphaString(24, 24, OL_DIST_INFO_LEN,
&orders_buf[o_id].o_ol[ol].ol_dist_info);

            // Generate ORDER-LINE data
            if (o_id < first_new_order)
            {
                orders_buf[o_id].o_ol[ol].ol_amount = 0;
                // Added to insure ol_delivery_d set properly

                during load

                FormatDate(&orders_buf[o_id].o_ol[ol].ol_delivery_d);
            }
        }
    }
}
```

```
else
{
    orders_buf[o_id].o_ol[ol].ol_amount =
RandomNumber(1,999999)/100.0;
// Added to insure ol_delivery_d set properly
during load

// odbc datetime format

strcpy(orders_buf[o_id].o_ol[ol].ol_delivery_d,"1899-12-31 12:00:00.000");
}
}
}
}

//=====
//
// Function : LoadOrdersTable
//
//=====
void LoadOrdersTable(LOADER_TIME_STRUCT *orders_time_start)
{
    int    i;
    long   o_id;
    short  o_d_id;
    short  o_w_id;
    long   o_c_id;
    short  o_carrier_id;
    short  o_ol_cnt;
    short  o_all_local;
    char   o_entry_d[O_ENTRY_D_LEN+1];
    RETCODE rc;
    DBINT   rcint;

    // bind ORDER data
    rc = bcp_bind(o_hdbc1, (BYTE *) &o_id, 0, SQL_VARLEN_DATA, NULL, 0, SQLINT4, 1);
    if (rc != SUCCEED)
        HandleErrorDBC(o_hdbc1);

    rc = bcp_bind(o_hdbc1, (BYTE *) &o_d_id, 0, SQL_VARLEN_DATA, NULL, 0, SQLINT2, 2);
    if (rc != SUCCEED)
        HandleErrorDBC(o_hdbc1);

    rc = bcp_bind(o_hdbc1, (BYTE *) &o_w_id, 0, SQL_VARLEN_DATA, NULL, 0, SQLINT2, 3);
    if (rc != SUCCEED)
        HandleErrorDBC(o_hdbc1);

    rc = bcp_bind(o_hdbc1, (BYTE *) &o_c_id, 0, SQL_VARLEN_DATA, NULL, 0, SQLINT4, 4);
    if (rc != SUCCEED)
        HandleErrorDBC(o_hdbc1);

    rc = bcp_bind(o_hdbc1, (BYTE *) &o_entry_d, 0, O_ENTRY_D_LEN, NULL, 0,
SQLCHARACTER, 5);
    if (rc != SUCCEED)
        HandleErrorDBC(o_hdbc1);

    rc = bcp_bind(o_hdbc1, (BYTE *) &o_carrier_id, 0, SQL_VARLEN_DATA, NULL, 0, SQLINT2,
6);
    if (rc != SUCCEED)
        HandleErrorDBC(o_hdbc1);
}
```

Appendix B - Database Design

```
rc = bcp_bind(o_hdbc1, (BYTE *) &o_ol_cnt, 0, SQL_VARLEN_DATA, NULL, 0, SQLINT2, 7);
if (rc != SUCCEED)
    HandleErrorDBC(o_hdbc1);

rc = bcp_bind(o_hdbc1, (BYTE *) &o_all_local, 0, SQL_VARLEN_DATA, NULL, 0, SQLINT2,
8);
if (rc != SUCCEED)
    HandleErrorDBC(o_hdbc1);

for (i = 0; i < orders_per_district; i++)
{
    o_id      = orders_buf[i].o_id;
    o_d_id    = orders_buf[i].o_d_id;
    o_w_id    = orders_buf[i].o_w_id;
    o_c_id    = orders_buf[i].o_c_id;
    o_carrier_id = orders_buf[i].o_carrier_id;
    o_ol_cnt  = orders_buf[i].o_ol_cnt;
    o_all_local = orders_buf[i].o_all_local;

    FormatDate(&o_entry_d);

    // send data to server
    rc = bcp_sendrow(o_hdbc1);
    if (rc != SUCCEED)
        HandleErrorDBC(o_hdbc1);

    orders_rows_loaded++;
    CheckForCommit(o_hdbc1, o_hstmt1, orders_rows_loaded, "orders",
&orders_time_start->time_start);
}

// rcint = bcp_batch(o_hdbc1);
// if (rcint < 0)
//     HandleErrorDBC(o_hdbc1);

if ((o_w_id == aptr->num_warehouses) && (o_d_id == 10))
{
    rcint = bcp_done(o_hdbc1);
    if (rcint < 0)
        HandleErrorDBC(o_hdbc1);

    SQLFreeStmt(o_hstmt1, SQL_DROP);
    SQLDisconnect(o_hdbc1);
    SQLFreeConnect(o_hdbc1);

    // if build index after load...
    if ((aptr->build_index == 1) && (aptr->index_order == 0))
        BuildIndex("idxordcl");

    // build non-clustered index
    if (aptr->build_index == 1)
        BuildIndex("idxordnc");
}

}

//=====
//
// Function   : LoadNewOrderTable
//
//=====
```

```
void LoadNewOrderTable(LOADER_TIME_STRUCT *new_order_time_start)
{
    int      i;
    long     o_id;
    short    o_d_id;
    short    o_w_id;

    RETCODE  rc;
    DBINT    rcint;

    // Bind NEW-ORDER data

    rc = bcp_bind(o_hdbc2, (BYTE *) &o_id, 0, SQL_VARLEN_DATA, NULL, 0, SQLINT4, 1);
    if (rc != SUCCEED)
        HandleErrorDBC(o_hdbc2);

    rc = bcp_bind(o_hdbc2, (BYTE *) &o_d_id, 0, SQL_VARLEN_DATA, NULL, 0, SQLINT2, 2);
    if (rc != SUCCEED)
        HandleErrorDBC(o_hdbc2);

    rc = bcp_bind(o_hdbc2, (BYTE *) &o_w_id, 0, SQL_VARLEN_DATA, NULL, 0, SQLINT2, 3);
    if (rc != SUCCEED)
        HandleErrorDBC(o_hdbc2);

    for (i = first_new_order; i < last_new_order; i++)
    {
        o_id  = orders_buf[i].o_id;
        o_d_id = orders_buf[i].o_d_id;
        o_w_id = orders_buf[i].o_w_id;

        rc = bcp_sendrow(o_hdbc2);
        if (rc != SUCCEED)
            HandleErrorDBC(o_hdbc2);

        new_order_rows_loaded++;
        CheckForCommit(o_hdbc2, o_hstmt2, new_order_rows_loaded, "new_order",
&new_order_time_start->time_start);
    }

    // rcint = bcp_batch(o_hdbc2);
    // if (rcint < 0)
    //     HandleErrorDBC(o_hdbc2);

    if ((o_w_id == aptr->num_warehouses) && (o_d_id == 10))
    {
        rcint = bcp_done(o_hdbc2);
        if (rcint < 0)
            HandleErrorDBC(o_hdbc2);

        SQLFreeStmt(o_hstmt2, SQL_DROP);
        SQLDisconnect(o_hdbc2);
        SQLFreeConnect(o_hdbc2);

        // if build index after load...
        if ((aptr->build_index == 1) && (aptr->index_order == 0))
            BuildIndex("idxmodcl");
    }

}

//=====
```

Appendix B - Database Design

```
//
// Function : LoadOrderLineTable
//
//=====
void LoadOrderLineTable(LOADER_TIME_STRUCT *order_line_time_start)
{
    int i,j;
    long o_id;
    short o_d_id;
    short o_w_id;
    long ol;
    long ol_i_id;
    short ol_supply_w_id;
    short ol_quantity;
    double ol_amount;
    char ol_dist_info[DIST_INFO_LEN+1];
    char ol_delivery_d[OL_DELIVERY_D_LEN+1];
    RETCODE rc;
    DBINT rcint;

    // bind ORDER-LINE data
    rc = bcp_bind(o_hdbc3, (BYTE *) &o_id, 0, SQL_VARLEN_DATA, NULL, 0, SQLINT4, 1);
    if (rc != SUCCEEDED)
        HandleErrorDBC(o_hdbc3);

    rc = bcp_bind(o_hdbc3, (BYTE *) &o_d_id, 0, SQL_VARLEN_DATA, NULL, 0, SQLINT2, 2);
    if (rc != SUCCEEDED)
        HandleErrorDBC(o_hdbc3);

    rc = bcp_bind(o_hdbc3, (BYTE *) &o_w_id, 0, SQL_VARLEN_DATA, NULL, 0, SQLINT2, 3);
    if (rc != SUCCEEDED)
        HandleErrorDBC(o_hdbc3);

    rc = bcp_bind(o_hdbc3, (BYTE *) &ol, 0, SQL_VARLEN_DATA, NULL, 0, SQLINT4, 4);
    if (rc != SUCCEEDED)
        HandleErrorDBC(o_hdbc3);

    rc = bcp_bind(o_hdbc3, (BYTE *) &ol_i_id, 0, SQL_VARLEN_DATA, NULL, 0, SQLINT4, 5);
    if (rc != SUCCEEDED)
        HandleErrorDBC(o_hdbc3);

    rc = bcp_bind(o_hdbc3, (BYTE *) &ol_supply_w_id, 0, SQL_VARLEN_DATA, NULL, 0,
SQLINT2, 6);
    if (rc != SUCCEEDED)
        HandleErrorDBC(o_hdbc3);

    rc = bcp_bind(o_hdbc3, (BYTE *) &ol_delivery_d, 0, OL_DELIVERY_D_LEN, NULL, 0,
SQLCHARACTER, 7);
    if (rc != SUCCEEDED)
        HandleErrorDBC(o_hdbc3);

    rc = bcp_bind(o_hdbc3, (BYTE *) &ol_quantity, 0, SQL_VARLEN_DATA, NULL, 0, SQLINT2,
8);
    if (rc != SUCCEEDED)
        HandleErrorDBC(o_hdbc3);

    rc = bcp_bind(o_hdbc3, (BYTE *) &ol_amount, 0, SQL_VARLEN_DATA, NULL, 0, SQLFLT8, 9);
    if (rc != SUCCEEDED)
        HandleErrorDBC(o_hdbc3);

    rc = bcp_bind(o_hdbc3, (BYTE *) ol_dist_info, 0, DIST_INFO_LEN, NULL, 0, 0, 10);
    if (rc != SUCCEEDED)
```

```
        HandleErrorDBC(o_hdbc3);

    for (i = 0; i < orders_per_district; i++)
    {
        o_id = orders_buf[i].o_id;
        o_d_id = orders_buf[i].o_d_id;
        o_w_id = orders_buf[i].o_w_id;

        for (j=0; j < orders_buf[i].o_ol_cnt; j++)
        {
            ol = orders_buf[i].o_ol[j].ol;
            ol_i_id = orders_buf[i].o_ol[j].ol_i_id;
            ol_supply_w_id = orders_buf[i].o_ol[j].ol_supply_w_id;
            ol_quantity = orders_buf[i].o_ol[j].ol_quantity;
            ol_amount = orders_buf[i].o_ol[j].ol_amount;

            strcpy(ol_delivery_d,orders_buf[i].o_ol[j].ol_delivery_d);

            strcpy(ol_dist_info,orders_buf[i].o_ol[j].ol_dist_info);

            rc = bcp_sendrow(o_hdbc3);
            if (rc != SUCCEEDED)
                HandleErrorDBC(o_hdbc3);

            order_line_rows_loaded++;
            CheckForCommit(o_hdbc3, o_hstmt3, order_line_rows_loaded,
"order_line", &order_line_time_start->time_start);
        }

        // rcint = bcp_batch(o_hdbc3);
        // if (rcint < 0)
        //     HandleErrorDBC(o_hdbc3);

        if ((o_w_id == aptr->num_warehouses) && (o_d_id == 10))
        {
            rcint = bcp_done(o_hdbc3);
            if (rcint < 0)
                HandleErrorDBC(o_hdbc3);

            SQLFreeStmt(o_hstmt3, SQL_DROP);
            SQLDisconnect(o_hdbc3);
            SQLFreeConnect(o_hdbc3);

            // if build index after load...
            if ((aptr->build_index == 1) && (aptr->index_order == 0))
                BuildIndex("idxodlcl");

        }

    }

//=====
//
// Function : GetPermutation
//
//=====
void GetPermutation(int perm[], int n)
{
    int i, r, t;
```

Appendix B - Database Design

```
    for (i=1;i<=n;i++)
        perm[i] = i;

    for (i=1;i<=n;i++)
    {
        r = RandomNumber(i,n);
        t = perm[i];
        perm[i] = perm[r];
        perm[r] = t;
    }
}

//=====
//
// Function   : CheckForCommit
//
//=====

void CheckForCommit(HDBC hdbc,
                   HSTMT hstmt,
                   int rows_loaded,
                   char *table_name,
                   long *time_start)
{
    long time_end, time_diff;
    // DBINT rcint;

    if ( !(rows_loaded % aptr->batch) )
    {
        // rcint = bcp_batch(hdbc);
        // if (rcint < 0)
        //     HandleErrorDBC(hdbc);

        time_end = (TimeNow() / MILLI);
        time_diff = time_end - *time_start;

        printf("-> Loaded %ld rows into %s in %ld sec - Total = %d (%.2f
rps)\n",
               aptr->batch,
               table_name,
               time_diff,
               rows_loaded,
               (float) aptr->batch / (time_diff ? time_diff :
1L));

        *time_start = time_end;
    }

    return;
}

//=====
//
// Function   : OpenConnections
//
//=====
```

```
void OpenConnections()
{
    RETCODE rc;

    char szDriverString[300];
    char szDriverStringOut[1024];
    SQLSMALLINT cbDriverStringOut;

    SQLAllocHandle(SQL_HANDLE_ENV, SQL_NULL_HANDLE, &henv );
    SQLSetEnvAttr(henv, SQL_ATTR_ODBC_VERSION, (void*)SQL_OV_ODBC3, 0 );

    SQLAllocHandle(SQL_HANDLE_DBC, henv , &i_hdbc1);
    SQLAllocHandle(SQL_HANDLE_DBC, henv , &w_hdbc1);
    SQLAllocHandle(SQL_HANDLE_DBC, henv , &c_hdbc1);
    SQLAllocHandle(SQL_HANDLE_DBC, henv , &c_hdbc2);
    SQLAllocHandle(SQL_HANDLE_DBC, henv , &o_hdbc1);
    SQLAllocHandle(SQL_HANDLE_DBC, henv , &o_hdbc2);
    SQLAllocHandle(SQL_HANDLE_DBC, henv , &o_hdbc3);

    SQLSetConnectAttr(i_hdbc1, SQL_COPT_SS_BCP, (void *)SQL_BCP_ON, SQL_IS_INTEGER
);
    SQLSetConnectAttr(w_hdbc1, SQL_COPT_SS_BCP, (void *)SQL_BCP_ON, SQL_IS_INTEGER
);
    SQLSetConnectAttr(c_hdbc1, SQL_COPT_SS_BCP, (void *)SQL_BCP_ON, SQL_IS_INTEGER
);
    SQLSetConnectAttr(c_hdbc2, SQL_COPT_SS_BCP, (void *)SQL_BCP_ON, SQL_IS_INTEGER
);
    SQLSetConnectAttr(o_hdbc1, SQL_COPT_SS_BCP, (void *)SQL_BCP_ON, SQL_IS_INTEGER
);
    SQLSetConnectAttr(o_hdbc2, SQL_COPT_SS_BCP, (void *)SQL_BCP_ON, SQL_IS_INTEGER
);
    SQLSetConnectAttr(o_hdbc3, SQL_COPT_SS_BCP, (void *)SQL_BCP_ON, SQL_IS_INTEGER
);

    // Open connections to SQL Server
    // Connection 1

    sprintf( szDriverString , "DRIVER={SQL
Server};SERVER=%s;UID=%s;PWD=%s;DATABASE=%s" ,
            aptr->server,
            aptr->user,
            aptr->password,
            aptr->database );

    rc = SQLSetConnectOption (i_hdbc1, SQL_PACKET_SIZE, aptr->pack_size);
    if (rc != SUCCEED)
        HandleErrorDBC(i_hdbc1);

    rc = SQLDriverConnect ( i_hdbc1,
                            NULL,
                            (SQLCHAR*)&szDriverString[0],
                            SQL_NTS,
                            (SQLCHAR*)&szDriverStringOut[0],
                            sizeof(szDriverStringOut),
                            &cbDriverStringOut,
                            SQL_DRIVER_NOPROMPT );

    if (rc != SUCCEED)
```


Appendix B - Database Design

```
        HandleErrorDBC(i_hdbc1);

// Connection 2

sprintf( szDriverString , "DRIVER={SQL
Server};SERVER=%s;UID=%s;PWD=%s;DATABASE=%s" ,

        aptr->server,
        aptr->user,
        aptr->password,
        aptr->database );

rc = SQLSetConnectOption (w_hdbc1, SQL_PACKET_SIZE, aptr->pack_size);
if (rc != SUCCEED)
    HandleErrorDBC(w_hdbc1);

rc = SQLDriverConnect ( w_hdbc1,

        NULL,

        (SQLCHAR*)&szDriverString[0] ,

        SQL_NTS,

        (SQLCHAR*)&szDriverStringOut[0],

        sizeof(szDriverStringOut),

        &cbDriverStringOut,
        SQL_DRIVER_NOPROMPT

);

if (rc != SUCCEED)
    HandleErrorDBC(w_hdbc1);

// Connection 3

sprintf( szDriverString , "DRIVER={SQL
Server};SERVER=%s;UID=%s;PWD=%s;DATABASE=%s" ,

        aptr->server,
        aptr->user,
        aptr->password,
        aptr->database );

rc = SQLSetConnectOption (c_hdbc1, SQL_PACKET_SIZE, aptr->pack_size);
if (rc != SUCCEED)
    HandleErrorDBC(c_hdbc1);

rc = SQLDriverConnect ( c_hdbc1,

        NULL,

        (SQLCHAR*)&szDriverString[0] ,

        SQL_NTS,

        (SQLCHAR*)&szDriverStringOut[0],

        sizeof(szDriverStringOut),

        &cbDriverStringOut,
        SQL_DRIVER_NOPROMPT

);

if (rc != SUCCEED)
    HandleErrorDBC(c_hdbc1);

// Connection 4

sprintf( szDriverString , "DRIVER={SQL
Server};SERVER=%s;UID=%s;PWD=%s;DATABASE=%s" ,

        aptr->server,

        aptr->user,
        aptr->password,
        aptr->database );

rc = SQLSetConnectOption (c_hdbc2, SQL_PACKET_SIZE, aptr->pack_size);
if (rc != SUCCEED)
    HandleErrorDBC(c_hdbc2);

rc = SQLDriverConnect ( c_hdbc2,

        NULL,

        (SQLCHAR*)&szDriverString[0] ,

        SQL_NTS,

        (SQLCHAR*)&szDriverStringOut[0],

        sizeof(szDriverStringOut),

        &cbDriverStringOut,
        SQL_DRIVER_NOPROMPT

);

if (rc != SUCCEED)
    HandleErrorDBC(c_hdbc2);

// Connection 5

sprintf( szDriverString , "DRIVER={SQL
Server};SERVER=%s;UID=%s;PWD=%s;DATABASE=%s" ,

        aptr->server,
        aptr->user,
        aptr->password,
        aptr->database );

rc = SQLSetConnectOption (o_hdbc1, SQL_PACKET_SIZE, aptr->pack_size);
if (rc != SUCCEED)
    HandleErrorDBC(o_hdbc1);

rc = SQLDriverConnect ( o_hdbc1,

        NULL,

        (SQLCHAR*)&szDriverString[0] ,

        SQL_NTS,

        (SQLCHAR*)&szDriverStringOut[0],

        sizeof(szDriverStringOut),

        &cbDriverStringOut,
        SQL_DRIVER_NOPROMPT

);

if (rc != SUCCEED)
    HandleErrorDBC(o_hdbc1);

// Connection 6

sprintf( szDriverString , "DRIVER={SQL
Server};SERVER=%s;UID=%s;PWD=%s;DATABASE=%s" ,

        aptr->server,
        aptr->user,
        aptr->password,
        aptr->database );

rc = SQLSetConnectOption (o_hdbc2, SQL_PACKET_SIZE, aptr->pack_size);
if (rc != SUCCEED)
    HandleErrorDBC(o_hdbc2);
```

Appendix B - Database Design

```
rc = SQLDriverConnect ( o_hdbc2,
                        NULL,
                        (SQLCHAR*)&szDriverString[0] ,
                        SQL_NTS,
                        (SQLCHAR*)&szDriverStringOut[0],
                        sizeof(szDriverStringOut),
                        &cbDriverStringOut,
                        SQL_DRIVER_NOPROMPT
);
if (rc != SUCCEED)
    HandleErrorDBC(o_hdbc2);

// Connection 7

sprintf( szDriverString , "DRIVER={SQL
Server};SERVER=%s;UID=%s;PWD=%s;DATABASE=%s" ,
        aptr->server,
        aptr->user,
        aptr->password,
        aptr->database );

rc = SQLSetConnectOption (o_hdbc3, SQL_PACKET_SIZE, aptr->pack_size);
if (rc != SUCCEED)
    HandleErrorDBC(o_hdbc3);

rc = SQLDriverConnect ( o_hdbc3,
                        NULL,
                        (SQLCHAR*)&szDriverString[0] ,
                        SQL_NTS,
                        (SQLCHAR*)&szDriverStringOut[0],
                        sizeof(szDriverStringOut),
                        &cbDriverStringOut,
                        SQL_DRIVER_NOPROMPT
);
if (rc != SUCCEED)
    HandleErrorDBC(o_hdbc3);
}

//=====
//
// Function name: BuildIndex
//
//=====

void BuildIndex(char      *index_script)
{
    char    cmd[256];

    printf("Starting index creation:  %s\n",index_script);

    sprintf(cmd, "isql -S%s -U%s -P%s -e -i%s\\%s.sql > logs\\%s.log",
            aptr->server,
            aptr->user,
            aptr->password,
            aptr->index_script_path,
            index_script,
            index_script);

    system(cmd);

    printf("Finished index creation:  %s\n",index_script);
}

void HandleErrorDBC (SQLHDBC  hdbc1)
{
    SQLCHAR      SqlState[6], Msg[SQL_MAX_MESSAGE_LENGTH];
    SQLINTEGER   NativeError;
    SQLSMALLINT  i, MsgLen;
    SQLRETURN    rc2;
    char         timebuf[128];
    char         datebuf[128];
    FILE         *fp1;

    i = 1;
    while (( rc2 = SQLGetDiagRec(SQL_HANDLE_DBC , hdbc1, i, SqlState ,
    &NativeError,
                                Msg, sizeof(Msg) , &MsgLen )) != SQL_NO_DATA )
    {
        sprintf( szLastError , "%s" , Msg );

        _strtime(timebuf);
        _strdate(datebuf);

        printf( "[%s : %s] %s\n" , datebuf, timebuf, szLastError);

        fp1 = fopen("logs\\tpccldr.err","w");
        if (fp1 == NULL)
            printf("ERROR:  Unable to open errorlog file.\n");
        else
        {
            fprintf(fp1, "[%s : %s] %s\n" , datebuf, timebuf,
            szLastError);

            fclose(fp1);
        }

        i++;
    }
}

void FormatDate ( char* szTimeCOutput )
{
    struct tm when;
    time_t now;

    time( &now );
    when = *localtime( &now );

    mktime( &when );

    // odbc datetime format
    strftime( szTimeCOutput , 30 , "%Y-%m-%d %H:%M:%S.000", &when );
}
```

Appendix B - Database Design

```
        return;
    }
}
```

getargs.c

```
//      File:          GETARGS.C
//
//      Microsoft TPC-C Kit Ver. 4.00
//      Copyright Microsoft, 1996, 1997, 1998
//      Purpose:  Source file for command line processing

// Includes
#include "tpcc.h"

//=====
//
// Function name: GetArgsLoader
//
//=====

void GetArgsLoader(int argc, char **argv, TPCCLDR_ARGS *pargs)
{
    int      i;
    char    *ptr;

#ifdef DEBUG
    printf("[%ld]DBG: Entering GetArgsLoader()\n", (int) GetCurrentThreadId());
#endif

    /* init args struct with some useful values */
    pargs->server      = SERVER;
    pargs->user        = USER;
    pargs->password    = PASSWORD;
    pargs->database    = DATABASE;
    pargs->batch       = BATCH;
    pargs->num_warehouses = UNDEF;
    pargs->tables_all  = TRUE;
    pargs->table_item   = FALSE;
    pargs->table_warehouse = FALSE;
    pargs->table_customer = FALSE;
}
```

```
    pargs->table_orders      = FALSE;
    pargs->loader_res_file   = LOADER_RES_FILE;
    pargs->pack_size         = DEF_LD_PACKSIZE;
    pargs->starting_warehouse = DEF_STARTING_WAREHOUSE;
    pargs->build_index       = BUILD_INDEX;
    pargs->index_order       = INDEX_ORDER;
    pargs->index_script_path = INDEX_SCRIPT_PATH;
    pargs->scale_down        = SCALE_DOWN;

/* check for zero command line args */
if ( argc == 1 )
    GetArgsLoaderUsage();

for ( i = 1; i < argc; ++i )
{
    if (argv[i][0] != '-' && argv[i][0] != '/')
    {
        printf("\nUnrecognized command");
        GetArgsLoaderUsage();
        exit(1);
    }

    ptr = argv[i];

    switch (ptr[1])
    {
        case 'h': /* Fall through */
        case 'H':
            GetArgsLoaderUsage();
            break;

        case 'D':
            pargs->database = ptr+2;
            break;

        case 'P':
            pargs->password = ptr+2;
            break;

        case 'S':
            pargs->server = ptr+2;
            break;

        case 'U':
            pargs->user = ptr+2;
            break;

        case 'b':
            pargs->batch = atol(ptr+2);
            break;

        case 'W':
            pargs->num_warehouses = atol(ptr+2);
            break;

        case 's':
            pargs->starting_warehouse = atol(ptr+2);
            break;

        case 't':
            {
                pargs->tables_all = FALSE;
                if (strcmp(ptr+2,"item") == 0)
            }
    }
}
```

Appendix B - Database Design

```
0)
TRUE;

        pargs->table_item = TRUE;
    else if (strcmp(ptr+2,"warehouse") ==
        pargs->table_warehouse =
    else if (strcmp(ptr+2,"customer") == 0)
        pargs->table_customer = TRUE;
    else if (strcmp(ptr+2,"orders") == 0)
        pargs->table_orders = TRUE;
    else
    {
        printf("\nUnrecognized command");
        GetArgsLoaderUsage();
        exit(1);
    }
    break;
}

case 'f':
    pargs->loader_res_file = ptr+2;
    break;

case 'p':
    pargs->pack_size = atol(ptr+2);
    break;

case 'i':
    pargs->build_index = atol(ptr+2);
    break;

case 'o':
    pargs->index_order = atol(ptr+2);
    break;

case 'c':
    pargs->scale_down = atol(ptr+2);
    break;

case 'd':
    pargs->index_script_path = ptr+2;
    break;

default:
    GetArgsLoaderUsage();
    exit(-1);
    break;
}

}

/* check for required args */
if (pargs->num_warehouses == UNDEF )
{
    printf("Number of Warehouses is required\n");
    exit(-2);
}

return;
}

//=====
//
```

```
// Function name: GetArgsLoaderUsage
//
//=====

void GetArgsLoaderUsage()
{
#ifdef DEBUG
    printf("[%ld]DBG: Entering GetArgsLoaderUsage()\n", (int) GetCurrentThreadId());
#endif

    printf("TPCCLDR:\n\n");
    printf("Parameter                                     Default\n");
    printf("-----\n");
    printf("-W Number of Warehouses to Load                Required \n");
    printf("-S Server                                         %s\n", SERVER);
    printf("-U Username                                       %s\n", USER);
    printf("-P Password                                       %s\n", PASSWORD);
    printf("-D Database                                       %s\n", DATABASE);
    printf("-b Batch Size                                     %ld\n", (long)
BATCH);
    printf("-p TDS packet size                               %ld\n", (long)
DEFLDPACKSIZE);
    printf("-f Loader Results Output Filename              %s\n",
LOADER_RES_FILE);
    printf("-s Starting Warehouse                           %ld\n", (long)
DEF_STARTING_WAREHOUSE);
    printf("-i Build Option (data = 0, data and index = 1) %ld\n", (long)
BUILD_INDEX);
    printf("-o Cluster Index Build Order (before = 1, after = 0) %ld\n", (long)
INDEX_ORDER);
    printf("-c Build Scaled Database (normal = 0, tiny = 1) %ld\n", (long)
SCALE_DOWN);
    printf("-d Index Script Path                             %s\n",
INDEX_SCRIPT_PATH);
    printf("-t Table to Load                                 all tables \n");
    printf(" [item|warehouse|customer|orders]\n");
    printf(" Notes: \n");
    printf(" - the '-t' parameter may be included multiple times to \n");
    printf(" - specify multiple tables to be loaded \n");
    printf(" - 'item' loads ITEM table \n");
    printf(" - 'warehouse' loads WAREHOUSE, DISTRICT, and STOCK tables \n");
    printf(" - 'customer' loads CUSTOMER and HISTORY tables \n");
    printf(" - 'orders' load NEW-ORDER, ORDERS, ORDER-LINE tables \n");

    printf("\nNote: Command line switches are case sensitive.\n");

    exit(0);
}

random.c

//      File:          RANDOM.C
//
//      Microsoft TPC-C Kit Ver. 4.00
//      Copyright Microsoft, 1996, 1997, 1998
```

Appendix B - Database Design

```
// Purpose: Random number generation routines for database loader

// Includes
#include "tpcc.h"
#include "math.h"

// Defines
#define A 16807
#define M 2147483647
#define Q 127773 /* M div A */
#define R 2836 /* M mod A */
#define Thread __declspec(thread)

// Globals
long Thread Seed = 0; /* thread local seed */

/*****
 *
 * random -
 * Implements a GOOD pseudo random number generator. This generator
 * will/should? run the complete period before repeating.
 *
 * Copied from:
 * Random Numbers Generators: Good Ones Are Hard to Find.
 * Communications of the ACM - October 1988 Volume 31 Number 10
 *
 * Machine Dependencies:
 * long must be 2 ^ 31 - 1 or greater.
 *
 *****/

/*****
 * seed - load the Seed value used in irand and drand. Should be used before
 * first call to irand or drand.
 *****/

void seed(long val)
{
#ifdef DEBUG
    printf("[%d]DBG: Entering seed()...\n", (int) GetCurrentThreadId());
    printf("Old Seed %ld New Seed %ld\n",Seed, val);
#endif

    if ( val < 0 )
        val = abs(val);

    Seed = val;
}

/*****
 *
 * irand - returns a 32 bit integer pseudo random number with a period of
 * 1 to 2 ^ 32 - 1.
 *
 * parameters:
 * none.
 *
 * returns:
 * 32 bit integer - defined as long ( see above ).
 *****/
```

```
*
* side effects:
* seed get recomputed.
*****/

long irand()
{
    register long s; /* copy of seed */
    register long test; /* test flag */
    register long hi; /* tmp value for speed */
    register long lo; /* tmp value for speed */

#ifdef DEBUG
    printf("[%d]DBG: Entering irand()...\n", (int) GetCurrentThreadId());
#endif

    s = Seed;
    hi = s / Q;
    lo = s % Q;

    test = A * lo - R * hi;
    if ( test > 0 )
        Seed = test;
    else
        Seed = test + M;

    return( Seed );
}

/*****
 *
 * drand - returns a double pseudo random number between 0.0 and 1.0.
 * See irand.
 *****/

double drand()
{
#ifdef DEBUG
    printf("[%d]DBG: Entering drand()...\n", (int) GetCurrentThreadId());
#endif

    return( (double)irand() / 2147483647.0 );
}

//=====
// Function : RandomNumber
//
// Description:
//=====
long RandomNumber(long lower, long upper)
{
    long rand_num;

#ifdef DEBUG
    printf("[%d]DBG: Entering RandomNumber()...\n", (int) GetCurrentThreadId());
#endif

    if ( upper == lower ) /* pgd 08-13-96 perf enhancement */
        return lower;

    upper++;
```

Appendix B - Database Design

```
    if ( upper <= lower )
        rand_num = upper;
    else
        rand_num = lower + irand() % (upper - lower); /* pgd 08-13-96 perf
enhancement */

#ifdef DEBUG
    printf("[%ld]DBG: RandomNumber between %ld & %ld ==> %ld\n",
           (int) GetCurrentThreadId(), lower, upper,
           rand_num);
#endif

    return rand_num;
}

#if 0
//Original code pgd 08/13/96
long RandomNumber(long lower,
                  long upper)
{
    long rand_num;

#ifdef DEBUG
    printf("[%ld]DBG: Entering RandomNumber()...\n", (int) GetCurrentThreadId());
#endif

    upper++;

    if ((upper <= lower))
        rand_num = upper;
    else
        rand_num = lower + irand() % ((upper > lower) ? upper - lower :
upper);

#ifdef DEBUG
    printf("[%ld]DBG: RandomNumber between %ld & %ld ==> %ld\n",
           (int) GetCurrentThreadId(), lower, upper,
           rand_num);
#endif

    return rand_num;
}
#endif

//=====
// Function : NURand
//
// Description:
//=====
long NURand(int iConst,
            long x,
            long y,
            long C)
{
    long rand_num;
```

```
#ifdef DEBUG
    printf("[%ld]DBG: Entering NURand()...\n", (int) GetCurrentThreadId());
#endif

    rand_num = (((RandomNumber(0,iConst) | RandomNumber(x,y)) + C) % (y-x+1))+x;

#ifdef DEBUG
    printf("[%ld]DBG: NURand: num = %d\n", (int) GetCurrentThreadId(), rand_num);
#endif

    return rand_num;
}
```

strings.c

```
// File: STRINGS.C
// Microsoft TPC-C Kit Ver. 4.00
// Copyright Microsoft, 1996, 1997, 1998
// Purpose: Source file for database loader string functions

// Includes
#include "tpcc.h"
#include <string.h>
#include <ctype.h>

//=====
// Function name: MakeAddress
//
//=====

void MakeAddress(char *street_1,
                 char *street_2,
                 char *city,
                 char *state,
                 char *zip)
{
#ifdef DEBUG
    printf("[%ld]DBG: Entering MakeAddress()\n", (int) GetCurrentThreadId());
#endif

    MakeAlphaString (10, 20, ADDRESS_LEN, street_1);
    MakeAlphaString (10, 20, ADDRESS_LEN, street_2);
    MakeAlphaString (10, 20, ADDRESS_LEN, city);
    MakeAlphaString ( 2,  2, STATE_LEN, state);
    MakeZipNumberString( 9,  9, ZIP_LEN, zip);

#ifdef DEBUG
    printf("[%ld]DBG: MakeAddress: street_1: %s, street_2: %s, city: %s, state: %s, zip:
%s\n",
           (int) GetCurrentThreadId(), street_1, street_2, city,
           state, zip);
#endif
}
```

Appendix B - Database Design

```
return;
}

//=====
//
// Function name: LastName
//
//=====

void LastName(int num,
              char *name)
{
    static char *n[] =
    {
        "BAR", "OUGHT", "ABLE", "PRI", "PRES",
        "ESE", "ANTI", "CALLY", "ATION", "EING"
    };

#ifdef DEBUG
    printf("[%ld]DBG: Entering LastName()\n", (int) GetCurrentThreadId());
#endif

    if ((num >= 0) && (num < 1000))
    {
        strcpy(name, n[(num/100)%10]);
        strcat(name, n[(num/10)%10]);
        strcat(name, n[(num/1)%10]);

        if (strlen(name) < LAST_NAME_LEN)
        {
            PaddString(LAST_NAME_LEN, name);
        }
    }
    else
    {
        printf("\nError in LastName()... num < %ld> out of range (0,999)\n",
            num);
        exit(-1);
    }

#ifdef DEBUG
    printf("[%ld]DBG: LastName: num = [%d] ==> [%d][%d][%d]\n",
        (int) GetCurrentThreadId(), num, num/100, (num/10)%10,
        num%10);
    printf("[%ld]DBG: LastName: String = %s\n", (int) GetCurrentThreadId(), name);
#endif

    return;
}

//=====
//
// Function name: MakeAlphaString
//
//=====
```

```
//philipdu 08/13/96 Changed MakeAlphaString to use A-Z, a-z, and 0-9 in
//accordance with spec see below:
//The spec says:
//4.3.2.2 The notation random a-string [x .. y]
//(respectively, n-string [x .. y]) represents a string of random alphanumeric
//(respectively, numeric) characters of a random length of minimum x, maximum y,
//and mean (y+x)/2. Alphanumerics are A..Z, a..z, and 0..9. The only other
//requirement is that the character set used "must be able to represent a minimum
//of 128 different characters". We are using 8-bit chars, so this is a non issue.
//It is completely unreasonable to stuff non-printing chars into the text fields.
//-CLevine 08/13/96

int MakeAlphaString( int x, int y, int z, char *str)
{
    int len;
    int i;
    static char chArray[] =
    "0123456789ABCDEFGHIJKLMNOPQRSTUVWXYZabcdefghijklmnopqrstuvwxyz";
    static int chArrayMax = 61;

#ifdef DEBUG
    printf("[%ld]DBG: Entering MakeAlphaString()\n", (int) GetCurrentThreadId());
#endif

    len= RandomNumber(x, y);

    for (i=0; i<len; i++)
        str[i] = chArray[RandomNumber(0, chArrayMax)];
    if ( len < z )
        memset(str+len, ' ', z - len);
    str[len] = 0;

    return len;
}

//=====
//
// Function name: MakeOriginalAlphaString
//
//=====

int MakeOriginalAlphaString(int x,
                            int y,
                            int z,
                            char *str,
                            int percent)
{
    int len;
    int val;
    int start;

#ifdef DEBUG
    printf("[%ld]DBG: Entering MakeOriginalAlphaString()\n", (int) GetCurrentThreadId());
#endif

    // verify percentage is valid
    if ((percent < 0) || (percent > 100))
    {
        printf("MakeOriginalAlphaString: Invalid percentage: %d\n", percent);
        exit(-1);
    }
}
```

Appendix B - Database Design

```
// verify string is at least 8 chars in length
if ((x + y) <= 8)
{
    printf("MakeOriginalAlphaString: string length must be >= 8\n");
    exit(-1);
}

// Make Alpha String
len = MakeAlphaString(x,y, z, str);

val = RandomNumber(1,100);
if (val <= percent)
{
    start = RandomNumber(0, len - 8);
    strncpy(str + start, "ORIGINAL", 8);
}

#ifdef DEBUG
printf("[%ld]DBG: MakeOriginalAlphaString: : %s\n",
      (int) GetCurrentThreadId(), str);
#endif

return strlen(str);
}

//=====
//
// Function name: MakeNumberString
//
//=====
int MakeNumberString(int x, int y, int z, char *str)
{
    char tmp[16];

    //MakeNumberString is always called MakeZipNumberString(16, 16, 16, string)

    memset(str, '0', 16);
    itoa(RandomNumber(0, 99999999), tmp, 10);
    memcpy(str, tmp, strlen(tmp));

    itoa(RandomNumber(0, 99999999), tmp, 10);
    memcpy(str+8, tmp, strlen(tmp));

    str[16] = 0;

    return 16;
}

//=====
//
// Function name: MakeZipNumberString
//
//=====
int MakeZipNumberString(int x, int y, int z, char *str)
{
    char tmp[16];

    //MakeZipNumberString is always called MakeZipNumberString(9, 9, 9, string)

    strcpy(str, "000011111");
```

```
    itoa(RandomNumber(0, 9999), tmp, 10);
    memcpy(str, tmp, strlen(tmp));

    return 9;
}

//=====
//
// Function name: InitString
//
//=====
void InitString(char *str, int len)
{
#ifdef DEBUG
    printf("[%ld]DBG: Entering InitString()\n", (int) GetCurrentThreadId());
#endif

    memset(str, ' ', len);
    str[len] = 0;
}

//=====
// Function name: InitAddress
//
// Description:
//
//=====
void InitAddress(char *street_1, char *street_2, char *city, char *state, char *zip)
{
    memset(street_1, ' ', ADDRESS_LEN+1);
    memset(street_2, ' ', ADDRESS_LEN+1);
    memset(city, ' ', ADDRESS_LEN+1);

    street_1[ADDRESS_LEN+1] = 0;
    street_2[ADDRESS_LEN+1] = 0;
    city[ADDRESS_LEN+1] = 0;

    memset(state, ' ', STATE_LEN+1);
    state[STATE_LEN+1] = 0;

    memset(zip, ' ', ZIP_LEN+1);
    zip[ZIP_LEN+1] = 0;
}

//=====
//
// Function name: PaddString
//
//=====
void PaddString(int max, char *name)
{
    int len;

    len = strlen(name);
    if ( len < max )
        memset(name+len, ' ', max - len);
    name[max] = 0;
}
```


Appendix B - Database Design

```
        return;  
    }
```

time.c

```
//      File:          TIME.C  
//      Microsoft TPC-C Kit Ver. 4.00  
//      Copyright Microsoft, 1996, 1997, 1998  
//      Purpose:  Source file for time functions  
  
// Includes  
#include "tpcc.h"  
  
// Globals  
static long start_sec;  
  
//=====br/>//  
// Function name: TimeNow  
//  
//=====br/>  
long TimeNow()  
{  
    long      time_now;  
    struct _timeb el_time;  
  
#ifdef DEBUG  
    printf("[%ld]DBG: Entering TimeNow()\n", (int) GetCurrentThreadId());  
#endif  
  
    _ftime(&el_time);  
  
    time_now = ((el_time.time - start_sec) * 1000) + el_time.millitm;  
  
    return time_now;  
}
```

Appendix C – Tunable Parameters

Appendix C - Tunable Parameters

Server Configuration Parameters

Microsoft Windows 2000 Advanced Server Parameters

The following registry key was added to disable the kernel counters for Global and Per-Process I/Os:

```
[HKEY_LOCAL_MACHINE\SYSTEM\CurrentControlSet\Control\Session Manager\I/O System]
"CountOperations"=dword:00000000
```

Microsoft Windows 2000 Advanced Server Configuration

The following services were disabled on the server:

- Alerter
- Computer Browser
- DHCP Client
- Distributed File System
- Distributed Link Tracking Client
- DNS Client
- Global Array Manager Server
- IPSEC Policy Agent
- License Logging Service
- Messenger
- Microsoft Search
- Print Spooler
- Process Control Service
- Remote Registry Service
- Removable Storage
- Run as Service
- System Event Notification
- Task Scheduler

Microsoft SQL Server 2000 Startup Parameters

Microsoft SQL Server was started with the following command line options

sqlservr -c -x -T3502 -g100

where

- | | |
|--------|---|
| -c | Start SQL Server independently of the Microsoft Windows NT Service Control Manager. |
| -x | Disable the keeping of CPU time and cache-hit ratio statistics. |
| -T3502 | Prints a message to the log at the beginning and end of each checkpoint. |
| -g100 | Reserve 100 MB for non-buffer pool allocations |

Appendix C – Tunable Parameters

Microsoft SQL Server Stack Size

The default stack size of Microsoft SQL Server was changed using the EDITBIN utility. The EDITBIN utility ships with Microsoft Visual C++ V5.0. The command used was editbin /stack:131072 sqlservr.exe.

Mylex Device Drivers and Firmware

The following device drivers were added:

- Mylex BIOS: 6:00-05
- Mylex Firmware: 6.00-02 bld 127
- Miniport driver : 9.00-04 (dac2w2k.sys)
- Accelerated Driver : 9.00-04 (macdw2k.sys)

Mylex Registry Key

```
[HKEY_LOCAL_MACHINE\SYSTEM\CurrentControlSet\Services\dac2w2k\Parameters\Device]
"DriverParameter"="ConfigureSIR=16"
```

Microsoft SQL Server 2000 Configuration Parameters

name	minimum	maximum	config_value	run_value
affinity mask	0	2147483647	255	255
allow updates	0	1	1	1
c2 audit mode	0	1	0	0
cost threshold for parallelism	0	32767	5	5
cursor threshold	-1	2147483647	-1	-1
default full-text language	0	2147483647	1033	1033
default language	0	9999	0	0
fill factor (%)	0	100	0	0
index create memory (KB)	704	1600000	0	0
language in cache	3	100	3	3
lightweight pooling	0	1	1	1
locks	5000	2147483647	0	0
max degree of parallelism	0	32	1	1
max server memory (MB)	4	2147483647	7000	7000
max text repl size (B)	0	2147483647	65536	65536
max worker threads	10	1024	320	320
media retention	0	365	0	0
min memory per query (KB)	512	2147483647	1024	1024
min server memory (MB)	0	2147483647	0	0
nested triggers	0	1	1	1
network packet size (B)	512	65535	4096	4096
open objects	0	2147483647	0	0
priority boost	0	1	1	1
query governor cost limit	0	2147483647	0	0
query wait (s)	-1	2147483647	-1	-1
recovery interval (min)	0	32767	56	56
remote access	0	1	0	0
remote login timeout (s)	0	2147483647	5	5
remote proc trans	0	1	0	0
remote query timeout (s)	0	2147483647	0	0
scan for startup procs	0	1	0	0
set working set size	0	1	0	0
show advanced options	0	1	1	1
two digit year cutoff	1753	9999	2049	2049
user connections	0	32767	0	0
user options	0	16383	0	0

Appendix C – Tunable Parameters

Windows 2000 Advanced Server System Information Report For PE6400

System Information report written at: 05/23/2002 11:26:09 AM
[System Information]

[Following are sub-categories of this main category]

[System Summary]

Item Value

OS Name Microsoft Windows 2000 Advanced Server
Version 5.0.2195 Build 2195
OS Manufacturer Microsoft Corporation
System Name PE6500
System Manufacturer Dell Computer Corporation
System Model PowerEdge 6600
System Type X86-based PC
Processor x86 Family 15 Model 1 Stepping 1 GenuineIntel ~1595 Mhz
Processor x86 Family 15 Model 1 Stepping 1 GenuineIntel ~1595 Mhz
Processor x86 Family 15 Model 1 Stepping 1 GenuineIntel ~1595 Mhz
Processor x86 Family 15 Model 1 Stepping 1 GenuineIntel ~1595 Mhz
Processor x86 Family 15 Model 1 Stepping 1 GenuineIntel ~1595 Mhz
Processor x86 Family 15 Model 1 Stepping 1 GenuineIntel ~1595 Mhz
Processor x86 Family 15 Model 1 Stepping 1 GenuineIntel ~1595 Mhz
Processor x86 Family 15 Model 1 Stepping 1 GenuineIntel ~1595 Mhz
BIOS Version Phoenix ROM BIOS PLUS Version 1.10 A03
Windows Directory C:\WINNT
System Directory C:\WINNT\System32
Boot Device \Device\Harddisk0\Partition1
Locale United States
User Name PE6500\Administrator
Time Zone Central Daylight Time
Total Physical Memory 8,125,740 KB
Available Physical Memory 7,875,992 KB
Total Virtual Memory 17,620,892 KB
Available Virtual Memory 17,298,024 KB
Page File Space 9,495,152 KB
Page File C:\pagefile.sys

[Hardware Resources]

[Following are sub-categories of this main category]

[Conflicts/Sharing]

Resource	Device
IRQ 15	System board
IRQ 15	Secondary IDE Channel

[DMA]

Appendix C – Tunable Parameters

Channel	Device	Status
4	Direct memory access controller	OK
2	Standard floppy disk controller	OK

[Forced Hardware]

Device	PNP Device ID
No Forced Hardware	

[I/O]

Address Range	Device	Status
0x0000-0x03AF	PCI bus	OK
0x0000-0x03AF	Direct memory access controller	OK
0x03B0-0x03DF	PCI bus	OK
0x03B0-0x03DF	ATI Technologies Inc. RAGE XL PCI	OK
0x03E0-0x0FFF	PCI bus	OK
0xE000-0xEFFF	PCI bus	OK
0xEC00-0xECFF	Adaptec AIC-7892 Ultra160/m PCI SCSI Card	OK
0xE800-0xE8FF	ATI Technologies Inc. RAGE XL PCI	OK
0x03C0-0x03DF	ATI Technologies Inc. RAGE XL PCI	OK
0x0080-0x009F	Direct memory access controller	OK
0x00C0-0x00DF	Direct memory access controller	OK
0x00F0-0x00FF	Numeric data processor	OK
0x0020-0x003F	Programmable interrupt controller	OK
0x00A0-0x00BF	Programmable interrupt controller	OK
0x04D0-0x04D1	Programmable interrupt controller	OK
0x0061-0x0061	System speaker	OK
0x0040-0x005F	System timer	OK
0x03F0-0x03F5	Standard floppy disk controller	OK
0x03F7-0x03F7	Standard floppy disk controller	OK
0x0060-0x0060	Standard 101/102-Key or Microsoft Natural PS/2 Keyboard	OK
0x0064-0x0064	Standard 101/102-Key or Microsoft Natural PS/2 Keyboard	OK
0x03F8-0x03FF	Communications Port (COM1)	OK
0x0070-0x007F	System CMOS/real time clock	OK
0x0820-0x083F	System board	OK
0x08A0-0x08AF	System board	OK
0x0C00-0x0CD7	System board	OK
0x0F50-0x0F58	System board	OK
0x08B0-0x08BF	Standard Dual Channel PCI IDE Controller	OK
0x01F0-0x01F7	Primary IDE Channel	OK
0x03F6-0x03F6	Primary IDE Channel	OK
0x0170-0x0177	Secondary IDE Channel	OK
0x0376-0x0376	Secondary IDE Channel	OK
0x0A79-0x0A79	ISAPNP Read Data Port	OK
0x0279-0x0279	ISAPNP Read Data Port	OK
0x02F4-0x02F7	ISAPNP Read Data Port	OK
0xD000-0xDFFF	PCI bus	OK
0xC000-0xCFFF	PCI bus	OK
0xC000-0xCFFF	DEC 21154 PCI to PCI bridge	OK
0xCC80-0xCCFF	Mylex eXtremeRAID 2000 Disk Array Controller	OK
0xB000-0xBFFF	PCI bus	OK
0xB000-0xBFFF	DEC 21154 PCI to PCI bridge	OK

Appendix C – Tunable Parameters

0xBC80-0xBCFF	Mylex eXtremeRAID 2000 Disk Array Controller	OK
0x9000-0xAFFF	PCI bus	OK

[IRQs]

IRQ Number	Device
9	Microsoft ACPI-Compliant System
16	Adaptec AIC-7892 Ultra160/m PCI SCSI Card
13	Numeric data processor
6	Standard floppy disk controller
1	Standard 101/102-Key or Microsoft Natural PS/2 Keyboard
12	PS/2 Compatible Mouse
4	Communications Port (COM1)
8	System CMOS/real time clock
15	System board
15	Secondary IDE Channel
14	Primary IDE Channel
7	Standard OpenHCD USB Host Controller
21	Mylex AcceleRAID 352 Disk Array Controller
17	Broadcom NetXtreme Gigabit Ethernet
18	Broadcom NetXtreme Gigabit Ethernet #2
25	Mylex eXtremeRAID 2000 Disk Array Controller
23	Mylex eXtremeRAID 2000 Disk Array Controller
29	Mylex AcceleRAID 352 Disk Array Controller

[Memory]

Range	Device	Status
0xA0000-0xBFFFF	PCI bus	OK
0xA0000-0xBFFFF	ATI Technologies Inc. RAGE XL PCI	OK
0xDC000-0xE7FFF	PCI bus	OK
0xFD000000-0xFE1FFFFFF	PCI bus	OK
0xFD000000-0xFE1FFFFFF	ATI Technologies Inc. RAGE XL PCI	OK
0xFE102000-0xFE102FFF	Adaptec AIC-7892 Ultra160/m PCI SCSI Card	OK
0xFE101000-0xFE101FFF	ATI Technologies Inc. RAGE XL PCI	OK
0x0000-0x104D9FFF	System board	OK
0x100000-0xF78FFFFFF	System board	OK
0xF0000-0xFFFFF	System board	OK
0xFEC00000-0xFEC0FFFF	System board	OK
0xFEE00000-0xFEE0FFFF	System board	OK
0xFFE00000-0xFFFFFFF	System board	OK
0xFE100000-0xFE100FFF	Standard OpenHCD USB Host Controller	OK
0xFCE00000-0xFCFFFFFF	PCI bus	OK
0xFCE00000-0xFCFFFFFF	Mylex AcceleRAID 352 Disk Array Controller	OK
0xFCC00000-0xFCDFFFFF	PCI bus	OK
0xFCD10000-0xFCD1FFFF	Broadcom NetXtreme Gigabit Ethernet	OK
0xFCD00000-0xFCD0FFFF	Broadcom NetXtreme Gigabit Ethernet #2	OK
0xFB000000-0xFC8FFFFF	PCI bus	OK
0xFB000000-0xFC8FFFFF	DEC 21154 PCI to PCI bridge	OK
0xFB000000-0xFC8FFFFF	Mylex eXtremeRAID 2000 Disk Array Controller	OK
0xFB800000-0xFC7FFFFF	DEC 21154 PCI to PCI bridge	OK
0xFB800000-0xFC7FFFFF	Mylex eXtremeRAID 2000 Disk Array Controller	OK

Appendix C – Tunable Parameters

```

0xF9000000-0xFA8FFFFFF PCI bus      OK
0xF9000000-0xFA8FFFFFF DEC 21154 PCI to PCI bridge  OK
0xF9000000-0xFA8FFFFFF Mylex eXtremeRAID 2000 Disk Array Controller
                        OK
0xF9800000-0xFA7FFFFFF DEC 21154 PCI to PCI bridge  OK
0xF9800000-0xFA7FFFFFF Mylex eXtremeRAID 2000 Disk Array Controller
                        OK
0xF8E00000-0xF8FFFFFFF PCI bus      OK
0xF8E00000-0xF8FFFFFFF Mylex AcceleRAID 352 Disk Array Controller
                        OK
0xF7900000-0xF8DFFFFFF PCI bus      OK

```

[Components]

[Following are sub-categories of this main category]

[Multimedia]

[Following are sub-categories of this main category]

[Audio Codecs]

Codec	Manufacturer	Description	Status	File	Version	Size
c:\winnt\system32\iac25_32.ax	Intel Corporation	Indeo® audio software	OK	C:\WINNT\System32\IAC25_32.AX	2.05.53	195.00 KB (199,680 bytes)
						12/7/1999 6:00:00 AM
c:\winnt\system32\msg723.acm	Microsoft Corporation		OK	C:\WINNT\System32\MSG723.ACM	4.4.3385	106.77 KB (109,328 bytes)
						1/9/2002 11:24:29 AM
c:\winnt\system32\lhacm.acm	Microsoft Corporation		OK	C:\WINNT\System32\LHACM.ACM	4.4.3385	33.27 KB (34,064 bytes)
						1/9/2002 11:24:30 AM
c:\winnt\system32\tssoft32.acm	DSP GROUP, INC.		OK	C:\WINNT\System32\TSSOFT32.ACM	1.01	9.27 KB (9,488 bytes)
						12/7/1999 6:00:00 AM
c:\winnt\system32\msgsm32.acm	Microsoft Corporation		OK	C:\WINNT\System32\MSGSM32.ACM	5.00.2134.1	22.27 KB (22,800 bytes)
						12/7/1999 6:00:00 AM
c:\winnt\system32\msg711.acm	Microsoft Corporation		OK	C:\WINNT\System32\MSG711.ACM	5.00.2134.1	10.27 KB (10,512 bytes)
						12/7/1999 6:00:00 AM
c:\winnt\system32\msadp32.acm	Microsoft Corporation		OK	C:\WINNT\System32\MSADP32.ACM	5.00.2134.1	14.77 KB (15,120 bytes)
						12/7/1999 6:00:00 AM
c:\winnt\system32\imaadp32.acm	Microsoft Corporation		OK	C:\WINNT\System32\IMAADP32.ACM	5.00.2134.1	16.27 KB (16,656 bytes)
						12/7/1999 6:00:00 AM

[Video Codecs]

Codec	Manufacturer	Description	Status	File	Version	Size
-------	--------------	-------------	--------	------	---------	------

Appendix C – Tunable Parameters

c:\winnt\system32\ir50_32.dll Intel Corporation Indeo® video 5.10 OK
C:\WINNT\System32\IR50_32.DLL R.5.10.15.2.55 737.50 KB
(755,200 bytes) 12/7/1999 6:00:00 AM
c:\winnt\system32\msh261.drv Microsoft Corporation OK
C:\WINNT\System32\MSH261.DRV 4.4.3385 163.77 KB (167,696
bytes) 1/9/2002 11:24:30 AM
c:\winnt\system32\msh263.drv Microsoft Corporation OK
C:\WINNT\System32\MSH263.DRV 4.4.3385 252.27 KB (258,320
bytes) 1/9/2002 11:24:02 AM
c:\winnt\system32\msvidc32.dll Microsoft Corporation OK
C:\WINNT\System32\MSVIDC32.DLL 5.00.2134.1 27.27 KB (27,920
bytes) 12/7/1999 6:00:00 AM
c:\winnt\system32\msrle32.dll Microsoft Corporation OK
C:\WINNT\System32\MSRLE32.DLL 5.00.2134.1 10.77 KB (11,024 bytes)
12/7/1999 6:00:00 AM
c:\winnt\system32\ir32_32.dll Intel(R) Corporation OK
C:\WINNT\System32\IR32_32.DLL Not Available 194.50 KB
(199,168 bytes) 12/7/1999 6:00:00 AM
c:\winnt\system32\iccvid.dll Radius Inc. OK
C:\WINNT\System32\ICCVID.DLL 1.10.0.6 108.00 KB (110,592
bytes) 12/7/1999 6:00:00 AM

[CD-ROM]

Item Value

Drive D:

Description CD-ROM Drive

Media Loaded False

Media Type CD-ROM

Name TEAC CD-224E

Manufacturer (Standard CD-ROM drives)

Status OK

Transfer Rate Not Available

SCSI Target ID 0

PNP Device ID IDE\CDROMTEAC_CD-

224E_____3.7D____\5&3125DC91&0&0.0.0

[Sound Device]

Item Value

No sound devices

[Display]

Item Value

Name ATI Technologies Inc. RAGE XL PCI

PNP Device ID

PCI\VEN_1002&DEV_4752&SUBSYS_01091028&REV_27\3&13C0B0C5&0&20

Adapter Type ATI RAGE XL PCI, ATI Technologies Inc. compatible

Adapter Description ATI Technologies Inc. RAGE XL PCI

Adapter RAM 8.00 MB (8,388,608 bytes)

Installed Drivers atidrab.dll

Driver Version 5.00.2179.1

INF File display.inf (atirage3 section)

Appendix C – Tunable Parameters

Color Planes 1
Color Table Entries 256
Resolution 1024 x 768 x 60 hertz
Bits/Pixel 8

[Infrared]

Item Value
No infrared devices

[Input]

[Following are sub-categories of this main category]

[Keyboard]

Item Value
Description Standard 101/102-Key or Microsoft Natural PS/2 Keyboard
Name Enhanced (101- or 102-key)
Layout 00000409
PNP Device ID ACPI\PNP0303\4&25F73A82&0
NumberOfFunctionKeys 12

[Pointing Device]

Item Value
Hardware Type PS/2 Compatible Mouse
Number of Buttons 2
Status OK
PNP Device ID ACPI\PNP0F13\4&25F73A82&0
Power Management Supported False
Double Click Threshold 6
Handedness Right Handed Operation

[Modem]

Item Value
No modems

[Network]

[Following are sub-categories of this main category]

[Adapter]

Item Value
Name [00000000] RAS Async Adapter
Adapter Type Not Available
Product Name RAS Async Adapter
Installed True
PNP Device ID Not Available
Last Reset 5/21/2002 1:58:38 PM

Appendix C – Tunable Parameters

Index 0

Service Name AsyncMac
IP Address Not Available
IP Subnet Not Available
Default IP Gateway Not Available
DHCP Enabled False
DHCP Server Not Available
DHCP Lease Expires Not Available
DHCP Lease Obtained Not Available
MAC Address Not Available
Service Name Not Available

Name [00000001] WAN Miniport (L2TP)
Adapter Type Not Available
Product Name WAN Miniport (L2TP)
Installed True
PNP Device ID ROOT\MS_L2TPMINIPOINT\0000
Last Reset 5/21/2002 1:58:38 PM

Index 1

Service Name Rasl2tp
IP Address Not Available
IP Subnet Not Available
Default IP Gateway Not Available
DHCP Enabled False
DHCP Server Not Available
DHCP Lease Expires Not Available
DHCP Lease Obtained Not Available
MAC Address Not Available
Service Name Rasl2tp
Driver c:\winnt\system32\drivers\rasl2tp.sys (50800, 5.00.2179.1)

Name [00000002] WAN Miniport (PPTP)
Adapter Type Wide Area Network (WAN)
Product Name WAN Miniport (PPTP)
Installed True
PNP Device ID ROOT\MS_PPTPMINIPOINT\0000
Last Reset 5/21/2002 1:58:38 PM

Index 2

Service Name PptpMiniport
IP Address Not Available
IP Subnet Not Available
Default IP Gateway Not Available
DHCP Enabled False
DHCP Server Not Available
DHCP Lease Expires Not Available
DHCP Lease Obtained Not Available
MAC Address 50:50:54:50:30:30
Service Name PptpMiniport
Driver c:\winnt\system32\drivers\raspptp.sys (47856, 5.00.2160.1)

Name [00000003] Direct Parallel
Adapter Type Not Available
Product Name Direct Parallel
Installed True
PNP Device ID ROOT\MS_PTIMINIPOINT\0000

Appendix C – Tunable Parameters

Last Reset 5/21/2002 1:58:38 PM
Index 3
Service Name Raspti
IP Address Not Available
IP Subnet Not Available
Default IP Gateway Not Available
DHCP Enabled False
DHCP Server Not Available
DHCP Lease Expires Not Available
DHCP Lease Obtained Not Available
MAC Address Not Available
Service Name Raspti
Driver c:\winnt\system32\drivers\raspti.sys (16880, 5.00.2146.1)

Name [00000004] WAN Miniport (IP)
Adapter Type Not Available
Product Name WAN Miniport (IP)
Installed True
PNP Device ID ROOT\MS_NDISWANIP\0000
Last Reset 5/21/2002 1:58:38 PM
Index 4
Service Name NdisWan
IP Address Not Available
IP Subnet Not Available
Default IP Gateway Not Available
DHCP Enabled False
DHCP Server Not Available
DHCP Lease Expires Not Available
DHCP Lease Obtained Not Available
MAC Address Not Available
Service Name NdisWan
Driver c:\winnt\system32\drivers\ndiswan.sys (90768, 5.00.2184.1)

Name [00000005] Intel(R) PRO/100+ Server Adapter (PILA8470B)
Adapter Type Not Available
Product Name Intel(R) PRO/100+ Server Adapter (PILA8470B)
Installed True
PNP Device ID Not Available
Last Reset 5/21/2002 1:58:38 PM
Index 5
Service Name E100B
IP Address
IP Subnet
Default IP Gateway Not Available
DHCP Enabled False
DHCP Server Not Available
DHCP Lease Expires Not Available
DHCP Lease Obtained Not Available
MAC Address 00:06:5B:0E:80:55
Service Name Not Available

Name [00000006] Broadcom NetXtreme Gigabit Ethernet
Adapter Type Ethernet 802.3
Product Name Broadcom NetXtreme Gigabit Ethernet
Installed True

Appendix C – Tunable Parameters

PNP Device ID
PCI\VEN_14E4&DEV_1644&SUBSYS_01091028&REV_14\3&29E81982&0&08
Last Reset 5/21/2002 1:58:38 PM
Index 6
Service Name b57w2k
IP Address 192.1.1.100
IP Subnet 255.255.255.0
Default IP Gateway Not Available
DHCP Enabled False
DHCP Server Not Available
DHCP Lease Expires Not Available
DHCP Lease Obtained Not Available
MAC Address 00:06:5B:0E:80:54
Service Name b57w2k
IRQ Number 17
Driver c:\winnt\system32\drivers\b57w2k.sys (75982, 2.63.0.0)

Name [00000007] Broadcom NetXtreme Gigabit Ethernet
Adapter Type Ethernet 802.3
Product Name Broadcom NetXtreme Gigabit Ethernet
Installed True
PNP Device ID
PCI\VEN_14E4&DEV_1644&SUBSYS_01091028&REV_14\3&29E81982&0&10
Last Reset 5/21/2002 1:58:38 PM
Index 7
Service Name b57w2k
IP Address
IP Subnet
Default IP Gateway Not Available
DHCP Enabled True
DHCP Server
DHCP Lease Expires Not Available
DHCP Lease Obtained Not Available
MAC Address 00:06:5B:0E:80:55
Service Name b57w2k
IRQ Number 18
Driver c:\winnt\system32\drivers\b57w2k.sys (75982, 2.63.0.0)

[Protocol]

Item	Value
Name	MSAFD Tcpiip [TCP/IP]
ConnectionlessService	False
GuaranteesDelivery	True
GuaranteesSequencing	True
MaximumAddressSize	16 bytes
MaximumMessageSize	0 bytes
MessageOriented	False
MinimumAddressSize	16 bytes
PseudoStreamOriented	False
SupportsBroadcasting	False
SupportsConnectData	False
SupportsDisconnectData	False
SupportsEncryption	False

Appendix C – Tunable Parameters

SupportsExpeditedData True
SupportsGracefulClosing True
SupportsGuaranteedBandwidth False
SupportsMulticasting False

Name MSAFD Tcpiip [UDP/IP]
ConnectionlessService True
GuaranteesDelivery False
GuaranteesSequencing False
MaximumAddressSize 16 bytes
MaximumMessageSize 65467 bytes
MessageOriented True
MinimumAddressSize 16 bytes
PseudoStreamOriented False
SupportsBroadcasting True
SupportsConnectData False
SupportsDisconnectData False
SupportsEncryption False
SupportsExpeditedData False
SupportsGracefulClosing False
SupportsGuaranteedBandwidth False
SupportsMulticasting True

Name RSVP UDP Service Provider
ConnectionlessService True
GuaranteesDelivery False
GuaranteesSequencing False
MaximumAddressSize 16 bytes
MaximumMessageSize 65467 bytes
MessageOriented True
MinimumAddressSize 16 bytes
PseudoStreamOriented False
SupportsBroadcasting True
SupportsConnectData False
SupportsDisconnectData False
SupportsEncryption True
SupportsExpeditedData False
SupportsGracefulClosing False
SupportsGuaranteedBandwidth False
SupportsMulticasting True

Name RSVP TCP Service Provider
ConnectionlessService False
GuaranteesDelivery True
GuaranteesSequencing True
MaximumAddressSize 16 bytes
MaximumMessageSize 0 bytes
MessageOriented False
MinimumAddressSize 16 bytes
PseudoStreamOriented False
SupportsBroadcasting False
SupportsConnectData False
SupportsDisconnectData False
SupportsEncryption True
SupportsExpeditedData True

Appendix C – Tunable Parameters

SupportsGracefulClosing True
SupportsGuaranteedBandwidth False
SupportsMulticasting False

Name MSAFD NetBIOS [\\Device\\NetBT_Tcpip_{5E0B27A4-FD24-4E18-A646-88E61231C654}] SEQPACKET 4
ConnectionlessService False
GuaranteesDelivery True
GuaranteesSequencing True
MaximumAddressSize 20 bytes
MaximumMessageSize 64000 bytes
MessageOriented True
MinimumAddressSize 20 bytes
PseudoStreamOriented False
SupportsBroadcasting False
SupportsConnectData False
SupportsDisconnectData False
SupportsEncryption False
SupportsExpeditedData False
SupportsGracefulClosing False
SupportsGuaranteedBandwidth False
SupportsMulticasting False

Name MSAFD NetBIOS [\\Device\\NetBT_Tcpip_{5E0B27A4-FD24-4E18-A646-88E61231C654}] DATAGRAM 4
ConnectionlessService True
GuaranteesDelivery False
GuaranteesSequencing False
MaximumAddressSize 20 bytes
MaximumMessageSize 64000 bytes
MessageOriented True
MinimumAddressSize 20 bytes
PseudoStreamOriented False
SupportsBroadcasting True
SupportsConnectData False
SupportsDisconnectData False
SupportsEncryption False
SupportsExpeditedData False
SupportsGracefulClosing False
SupportsGuaranteedBandwidth False
SupportsMulticasting False

Name MSAFD NetBIOS [\\Device\\NetBT_Tcpip_{FBD78E29-7AD7-4835-93D8-D6EC4087537C}] SEQPACKET 3
ConnectionlessService False
GuaranteesDelivery True
GuaranteesSequencing True
MaximumAddressSize 20 bytes
MaximumMessageSize 64000 bytes
MessageOriented True
MinimumAddressSize 20 bytes
PseudoStreamOriented False
SupportsBroadcasting False
SupportsConnectData False
SupportsDisconnectData False

Appendix C – Tunable Parameters

SupportsEncryption False
SupportsExpeditedData False
SupportsGracefulClosing False
SupportsGuaranteedBandwidth False
SupportsMulticasting False

Name MSAFD NetBIOS [\Device\NetBT_Tcpip_{FBD78E29-7AD7-4835-93D8-D6EC4087537C}] DATAGRAM 3
ConnectionlessService True
GuaranteesDelivery False
GuaranteesSequencing False
MaximumAddressSize 20 bytes
MaximumMessageSize 64000 bytes
MessageOriented True
MinimumAddressSize 20 bytes
PseudoStreamOriented False
SupportsBroadcasting True
SupportsConnectData False
SupportsDisconnectData False
SupportsEncryption False
SupportsExpeditedData False
SupportsGracefulClosing False
SupportsGuaranteedBandwidth False
SupportsMulticasting False

Name MSAFD NetBIOS [\Device\NetBT_Tcpip_{90C49E2D-08F5-44F0-B217-E90F487CD865}] SEQPACKET 0
ConnectionlessService False
GuaranteesDelivery True
GuaranteesSequencing True
MaximumAddressSize 20 bytes
MaximumMessageSize 64000 bytes
MessageOriented True
MinimumAddressSize 20 bytes
PseudoStreamOriented False
SupportsBroadcasting False
SupportsConnectData False
SupportsDisconnectData False
SupportsEncryption False
SupportsExpeditedData False
SupportsGracefulClosing False
SupportsGuaranteedBandwidth False
SupportsMulticasting False

Name MSAFD NetBIOS [\Device\NetBT_Tcpip_{90C49E2D-08F5-44F0-B217-E90F487CD865}] DATAGRAM 0
ConnectionlessService True
GuaranteesDelivery False
GuaranteesSequencing False
MaximumAddressSize 20 bytes
MaximumMessageSize 64000 bytes
MessageOriented True
MinimumAddressSize 20 bytes
PseudoStreamOriented False
SupportsBroadcasting True

Appendix C – Tunable Parameters

SupportsConnectData False
SupportsDisconnectData False
SupportsEncryption False
SupportsExpeditedData False
SupportsGracefulClosing False
SupportsGuaranteedBandwidth False
SupportsMulticasting False

Name MSAFD NetBIOS [\Device\NetBT_Tcpip_{2B9055AC-B9F5-4484-98B9-6BC672AD8535}] SEQPACKET 1
ConnectionlessService False
GuaranteesDelivery True
GuaranteesSequencing True
MaximumAddressSize 20 bytes
MaximumMessageSize 64000 bytes
MessageOriented True
MinimumAddressSize 20 bytes
PseudoStreamOriented False
SupportsBroadcasting False
SupportsConnectData False
SupportsDisconnectData False
SupportsEncryption False
SupportsExpeditedData False
SupportsGracefulClosing False
SupportsGuaranteedBandwidth False
SupportsMulticasting False

Name MSAFD NetBIOS [\Device\NetBT_Tcpip_{2B9055AC-B9F5-4484-98B9-6BC672AD8535}] DATAGRAM 1
ConnectionlessService True
GuaranteesDelivery False
GuaranteesSequencing False
MaximumAddressSize 20 bytes
MaximumMessageSize 64000 bytes
MessageOriented True
MinimumAddressSize 20 bytes
PseudoStreamOriented False
SupportsBroadcasting True
SupportsConnectData False
SupportsDisconnectData False
SupportsEncryption False
SupportsExpeditedData False
SupportsGracefulClosing False
SupportsGuaranteedBandwidth False
SupportsMulticasting False

Name MSAFD NetBIOS [\Device\NetBT_Tcpip_{F1578EC3-9C10-48B5-82C0-406093FF52F3}] SEQPACKET 2
ConnectionlessService False
GuaranteesDelivery True
GuaranteesSequencing True
MaximumAddressSize 20 bytes
MaximumMessageSize 64000 bytes
MessageOriented True
MinimumAddressSize 20 bytes

Appendix C – Tunable Parameters

PseudoStreamOriented False
SupportsBroadcasting False
SupportsConnectData False
SupportsDisconnectData False
SupportsEncryption False
SupportsExpeditedData False
SupportsGracefulClosing False
SupportsGuaranteedBandwidth False
SupportsMulticasting False

Name MSAFD NetBIOS [\Device\NetBT_Tcpip_{F1578EC3-9C10-48B5-82C0-406093FF52F3}] DATAGRAM 2

ConnectionlessService True
GuaranteesDelivery False
GuaranteesSequencing False
MaximumAddressSize 20 bytes
MaximumMessageSize 64000 bytes
MessageOriented True
MinimumAddressSize 20 bytes
PseudoStreamOriented False
SupportsBroadcasting True
SupportsConnectData False
SupportsDisconnectData False
SupportsEncryption False
SupportsExpeditedData False
SupportsGracefulClosing False
SupportsGuaranteedBandwidth False
SupportsMulticasting False

[WinSock]

Item Value
File c:\winnt\system32\winsock.dll
Version 3.10
Size 2.80 KB (2,864 bytes)

File c:\winnt\system32\wsock32.dll
Version 5.00.2152.1
Size 21.27 KB (21,776 bytes)

[Ports]

[Following are sub-categories of this main category]

[Serial]

Item Value
Name COM1
Status OK
PNP Device ID ACPI\PNP0501\1
Maximum Input Buffer Size 0
Maximum Output Buffer Size False
Settable Baud Rate True

Appendix C – Tunable Parameters

Settable Data Bits True
Settable Flow Control True
Settable Parity True
Settable Parity Check True
Settable Stop Bits True
Settable RLSD True
Supports RLSD True
Supports 16 Bit Mode False
Supports Special Characters False
Baud Rate 9600
Bits/Byte 8
Stop Bits 1
Parity None
Busy 0
Abort Read/Write on Error 0
Binary Mode Enabled -1
Continue Xmit on XOff 0
CTS Outflow Control 0
Discard NULL Bytes 0
DSR Outflow Control 0
DSR Sensitivity 0
DTR Flow Control Type Enable
EOF Character 0
Error Replace Character 0
Error Replacement Enabled 0
Event Character 0
Parity Check Enabled 0
RTS Flow Control Type Enable
XOff Character 19
XOffXmit Threshold 512
XOn Character 17
XOnXmit Threshold 2048
XOnXOff InFlow Control 0
XOnXOff OutFlow Control 0
IRQ Number 4
I/O Port 0x03F8-0x03FF
Driver c:\winnt\system32\drivers\serial.sys (62448, 5.00.2134.1)

[Parallel]

Item Value
No parallel port information

[Storage]

[Following are sub-categories of this main category]

[Drives]

Item Value
Drive A:
Description 3 1/2 Inch Floppy Drive

Drive C:

Appendix C – Tunable Parameters

Description Local Fixed Disk
Compressed False
File System NTFS
Size 17.09 GB (18,350,563,328 bytes)
Free Space 10.81 GB (11,611,705,344 bytes)
Volume Name
Volume Serial Number DCB74D00
Partition Disk #0, Partition #0
Partition Size 17.09 GB (18,350,567,424 bytes)
Starting Offset 32256 bytes
Drive Description Disk drive
Drive Manufacturer (Standard disk drives)
Drive Model QUANTUM ATLAS_V_18_SCA SCSI Disk Device
Drive BytesPerSector 512
Drive MediaLoaded True
Drive MediaType Fixed hard disk media
Drive Partitions 1
Drive SCSIBus 0
Drive SCSILogicalUnit 0
Drive SCSIPort 1
Drive SCSTargetId 0
Drive SectorsPerTrack 63
Drive Size 18358824960 bytes
Drive TotalCylinders 2232
Drive TotalSectors 35857080
Drive TotalTracks 569160
Drive TracksPerCylinder 255

Drive E:
Description Local Fixed Disk
Compressed Not Available
File System Not Available
Size Not Available
Free Space Not Available
Volume Name Not Available
Volume Serial Number Not Available
Partition Disk #2, Partition #0
Partition Size 45.50 GB (48,858,130,944 bytes)
Starting Offset 32256 bytes
Drive Description \\.\PHYSICALDRIVE2
Drive Manufacturer Not Available
Drive Model Not Available
Drive BytesPerSector 512
Drive MediaLoaded True
Drive MediaType Fixed hard disk media
Drive Partitions 3
Drive SCSIBus 4
Drive SCSILogicalUnit 0
Drive SCSIPort 3
Drive SCSTargetId 0
Drive SectorsPerTrack 63
Drive Size 503814850560 bytes
Drive TotalCylinders 61252
Drive TotalSectors 984013380
Drive TotalTracks 15619260

Appendix C – Tunable Parameters

Drive TracksPerCylinder 255

Drive F:

Description Local Fixed Disk
Compressed Not Available
File System Not Available
Size Not Available
Free Space Not Available
Volume Name Not Available
Volume Serial Number Not Available
Partition Disk #2, Partition #1
Partition Size 25.50 GB (27,381,957,120 bytes)
Starting Offset Not Available
Drive Description \\.\PHYSICALDRIVE2
Drive Manufacturer Not Available
Drive Model Not Available
Drive BytesPerSector 512
Drive MediaLoaded True
Drive MediaType Fixed hard disk media
Drive Partitions 3
Drive SCSIbus 4
Drive SCSILogicalUnit 0
Drive SCSIPort 3
Drive SCSTargetId 0
Drive SectorsPerTrack 63
Drive Size 503814850560 bytes
Drive TotalCylinders 61252
Drive TotalSectors 984013380
Drive TotalTracks 15619260
Drive TracksPerCylinder 255

Drive G:

Description Local Fixed Disk
Compressed Not Available
File System Not Available
Size Not Available
Free Space Not Available
Volume Name Not Available
Volume Serial Number Not Available
Partition Disk #3, Partition #0
Partition Size 45.50 GB (48,858,130,944 bytes)
Starting Offset 32256 bytes
Drive Description \\.\PHYSICALDRIVE3
Drive Manufacturer Not Available
Drive Model Not Available
Drive BytesPerSector 512
Drive MediaLoaded True
Drive MediaType Fixed hard disk media
Drive Partitions 3
Drive SCSIbus 4
Drive SCSILogicalUnit 0
Drive SCSIPort 3
Drive SCSTargetId 1
Drive SectorsPerTrack 63
Drive Size 503814850560 bytes

Appendix C – Tunable Parameters

Drive TotalCylinders 61252
Drive TotalSectors 984013380
Drive TotalTracks 15619260
Drive TracksPerCylinder 255

Drive H:

Description Local Fixed Disk
Compressed Not Available
File System Not Available
Size Not Available
Free Space Not Available
Volume Name Not Available
Volume Serial Number Not Available
Partition Disk #3, Partition #1
Partition Size 25.50 GB (27,381,957,120 bytes)
Starting Offset Not Available
Drive Description \\.\PHYSICALDRIVE3
Drive Manufacturer Not Available
Drive Model Not Available
Drive BytesPerSector 512
Drive MediaLoaded True
Drive MediaType Fixed hard disk media
Drive Partitions 3
Drive SCSIbus 4
Drive SCSILogicalUnit 0
Drive SCSIPort 3
Drive SCSTargetId 1
Drive SectorsPerTrack 63
Drive Size 503814850560 bytes
Drive TotalCylinders 61252
Drive TotalSectors 984013380
Drive TotalTracks 15619260
Drive TracksPerCylinder 255

Drive I:

Description Local Fixed Disk
Compressed Not Available
File System Not Available
Size Not Available
Free Space Not Available
Volume Name Not Available
Volume Serial Number Not Available
Partition Disk #6, Partition #0
Partition Size 45.50 GB (48,858,130,944 bytes)
Starting Offset 32256 bytes
Drive Description \\.\PHYSICALDRIVE6
Drive Manufacturer Not Available
Drive Model Not Available
Drive BytesPerSector 512
Drive MediaLoaded True
Drive MediaType Fixed hard disk media
Drive Partitions 3
Drive SCSIbus 2
Drive SCSILogicalUnit 0
Drive SCSIPort 5

Appendix C – Tunable Parameters

Drive SCSITargetId 0
Drive SectorsPerTrack 63
Drive Size 503814850560 bytes
Drive TotalCylinders 61252
Drive TotalSectors 984013380
Drive TotalTracks 15619260
Drive TracksPerCylinder 255

Drive J:

Description Local Fixed Disk
Compressed Not Available
File System Not Available
Size Not Available
Free Space Not Available
Volume Name Not Available
Volume Serial Number Not Available
Partition Disk #6, Partition #1
Partition Size 25.50 GB (27,381,957,120 bytes)
Starting Offset Not Available
Drive Description \\.\PHYSICALDRIVE6
Drive Manufacturer Not Available
Drive Model Not Available
Drive BytesPerSector 512
Drive MediaLoaded True
Drive MediaType Fixed hard disk media
Drive Partitions 3
Drive SCSIBus 2
Drive SCSILogicalUnit 0
Drive SCSIPort 5
Drive SCSITargetId 0
Drive SectorsPerTrack 63
Drive Size 503814850560 bytes
Drive TotalCylinders 61252
Drive TotalSectors 984013380
Drive TotalTracks 15619260
Drive TracksPerCylinder 255

Drive K:

Description Local Fixed Disk
Compressed Not Available
File System Not Available
Size Not Available
Free Space Not Available
Volume Name Not Available
Volume Serial Number Not Available
Partition Disk #4, Partition #0
Partition Size 45.50 GB (48,858,130,944 bytes)
Starting Offset 32256 bytes
Drive Description \\.\PHYSICALDRIVE4
Drive Manufacturer Not Available
Drive Model Not Available
Drive BytesPerSector 512
Drive MediaLoaded True
Drive MediaType Fixed hard disk media
Drive Partitions 4

Appendix C – Tunable Parameters

Drive SCSIBus 4
Drive SCSILogicalUnit 0
Drive SCSIPort 4
Drive SCSTargetId 0
Drive SectorsPerTrack 63
Drive Size 503814850560 bytes
Drive TotalCylinders 61252
Drive TotalSectors 984013380
Drive TotalTracks 15619260
Drive TracksPerCylinder 255

Drive L:
Description Local Fixed Disk
Compressed Not Available
File System Not Available
Size Not Available
Free Space Not Available
Volume Name Not Available
Volume Serial Number Not Available
Partition Disk #4, Partition #1
Partition Size 25.50 GB (27,381,957,120 bytes)
Starting Offset Not Available
Drive Description \\.\PHYSICALDRIVE4
Drive Manufacturer Not Available
Drive Model Not Available
Drive BytesPerSector 512
Drive MediaLoaded True
Drive MediaType Fixed hard disk media
Drive Partitions 4
Drive SCSIBus 4
Drive SCSILogicalUnit 0
Drive SCSIPort 4
Drive SCSTargetId 0
Drive SectorsPerTrack 63
Drive Size 503814850560 bytes
Drive TotalCylinders 61252
Drive TotalSectors 984013380
Drive TotalTracks 15619260
Drive TracksPerCylinder 255

Drive M:
Description Local Fixed Disk
Compressed Not Available
File System Not Available
Size Not Available
Free Space Not Available
Volume Name Not Available
Volume Serial Number Not Available
Partition Disk #5, Partition #0
Partition Size 45.50 GB (48,858,130,944 bytes)
Starting Offset 32256 bytes
Drive Description \\.\PHYSICALDRIVE5
Drive Manufacturer Not Available
Drive Model Not Available
Drive BytesPerSector 512

Appendix C – Tunable Parameters

Drive MediaLoaded True
Drive MediaType Fixed hard disk media
Drive Partitions 3
Drive SCSIBus 4
Drive SCSILogicalUnit 0
Drive SCSIPort 4
Drive SCSTargetId 1
Drive SectorsPerTrack 63
Drive Size 503814850560 bytes
Drive TotalCylinders 61252
Drive TotalSectors 984013380
Drive TotalTracks 15619260
Drive TracksPerCylinder 255

Drive N:
Description Local Fixed Disk
Compressed Not Available
File System Not Available
Size Not Available
Free Space Not Available
Volume Name Not Available
Volume Serial Number Not Available
Partition Disk #5, Partition #1
Partition Size 25.50 GB (27,381,957,120 bytes)
Starting Offset Not Available
Drive Description \\.\PHYSICALDRIVE5
Drive Manufacturer Not Available
Drive Model Not Available
Drive BytesPerSector 512
Drive MediaLoaded True
Drive MediaType Fixed hard disk media
Drive Partitions 3
Drive SCSIBus 4
Drive SCSILogicalUnit 0
Drive SCSIPort 4
Drive SCSTargetId 1
Drive SectorsPerTrack 63
Drive Size 503814850560 bytes
Drive TotalCylinders 61252
Drive TotalSectors 984013380
Drive TotalTracks 15619260
Drive TracksPerCylinder 255

Drive O:
Description Local Fixed Disk
Compressed False
File System NTFS
Size 48.83 GB (52,427,882,496 bytes)
Free Space 48.76 GB (52,359,659,520 bytes)
Volume Name
Volume Serial Number 98B754BA
Partition Disk #4, Partition #3
Partition Size 48.83 GB (52,427,934,720 bytes)
Starting Offset Not Available
Drive Description \\.\PHYSICALDRIVE4

Appendix C – Tunable Parameters

Drive Manufacturer Not Available
Drive Model Not Available
Drive BytesPerSector 512
Drive MediaLoaded True
Drive MediaType Fixed hard disk media
Drive Partitions 4
Drive SCSIBus 4
Drive SCSILogicalUnit 0
Drive SCSIPort 4
Drive SCSTargetId 0
Drive SectorsPerTrack 63
Drive Size 503814850560 bytes
Drive TotalCylinders 61252
Drive TotalSectors 984013380
Drive TotalTracks 15619260
Drive TracksPerCylinder 255

Drive S:

Description Local Fixed Disk
Compressed Not Available
File System Not Available
Size Not Available
Free Space Not Available
Volume Name Not Available
Volume Serial Number Not Available
Partition Disk #1, Partition #0
Partition Size 101.69 GB (109,190,559,744 bytes)
Starting Offset 32256 bytes
Drive Description \\.\PHYSICALDRIVE1
Drive Manufacturer Not Available
Drive Model Not Available
Drive BytesPerSector 512
Drive MediaLoaded True
Drive MediaType Fixed hard disk media
Drive Partitions 1
Drive SCSIBus 2
Drive SCSILogicalUnit 0
Drive SCSIPort 2
Drive SCSTargetId 0
Drive SectorsPerTrack 63
Drive Size 109190592000 bytes
Drive TotalCylinders 13275
Drive TotalSectors 213262875
Drive TotalTracks 3385125
Drive TracksPerCylinder 255

Drive V:

Description Local Fixed Disk
Compressed False
File System NTFS
Size 78.13 GB (83,889,618,944 bytes)
Free Space 33.86 GB (36,361,273,344 bytes)
Volume Name
Volume Serial Number A8DA6837
Partition Disk #2, Partition #2

Appendix C – Tunable Parameters

Partition Size 78.13 GB (83,889,630,720 bytes)
Starting Offset Not Available
Drive Description \\.\PHYSICALDRIVE2
Drive Manufacturer Not Available
Drive Model Not Available
Drive BytesPerSector 512
Drive MediaLoaded True
Drive MediaType Fixed hard disk media
Drive Partitions 3
Drive SCSIbus 4
Drive SCSILogicalUnit 0
Drive SCSIPort 3
Drive SCSTargetId 0
Drive SectorsPerTrack 63
Drive Size 503814850560 bytes
Drive TotalCylinders 61252
Drive TotalSectors 984013380
Drive TotalTracks 15619260
Drive TracksPerCylinder 255

Drive W:

Description Local Fixed Disk
Compressed False
File System NTFS
Size 78.13 GB (83,889,618,944 bytes)
Free Space 33.86 GB (36,361,273,344 bytes)
Volume Name
Volume Serial Number D422FE34
Partition Disk #3, Partition #2
Partition Size 78.13 GB (83,889,630,720 bytes)
Starting Offset Not Available
Drive Description \\.\PHYSICALDRIVE3
Drive Manufacturer Not Available
Drive Model Not Available
Drive BytesPerSector 512
Drive MediaLoaded True
Drive MediaType Fixed hard disk media
Drive Partitions 3
Drive SCSIbus 4
Drive SCSILogicalUnit 0
Drive SCSIPort 3
Drive SCSTargetId 1
Drive SectorsPerTrack 63
Drive Size 503814850560 bytes
Drive TotalCylinders 61252
Drive TotalSectors 984013380
Drive TotalTracks 15619260
Drive TracksPerCylinder 255

Drive X:

Description Local Fixed Disk
Compressed False
File System NTFS
Size 78.13 GB (83,889,618,944 bytes)
Free Space 33.86 GB (36,361,338,880 bytes)

Appendix C – Tunable Parameters

Volume Name
Volume Serial Number A453D3EB
Partition Disk #6, Partition #2
Partition Size 78.13 GB (83,889,630,720 bytes)
Starting Offset Not Available
Drive Description \\.\PHYSICALDRIVE6
Drive Manufacturer Not Available
Drive Model Not Available
Drive BytesPerSector 512
Drive MediaLoaded True
Drive MediaType Fixed hard disk media
Drive Partitions 3
Drive SCSIbus 2
Drive SCSILogicalUnit 0
Drive SCSIPort 5
Drive SCSTargetId 0
Drive SectorsPerTrack 63
Drive Size 503814850560 bytes
Drive TotalCylinders 61252
Drive TotalSectors 984013380
Drive TotalTracks 15619260
Drive TracksPerCylinder 255

Drive Y:
Description Local Fixed Disk
Compressed False
File System NTFS
Size 78.13 GB (83,889,618,944 bytes)
Free Space 33.86 GB (36,361,273,344 bytes)
Volume Name
Volume Serial Number B450D548
Partition Disk #4, Partition #2
Partition Size 78.13 GB (83,889,630,720 bytes)
Starting Offset Not Available
Drive Description \\.\PHYSICALDRIVE4
Drive Manufacturer Not Available
Drive Model Not Available
Drive BytesPerSector 512
Drive MediaLoaded True
Drive MediaType Fixed hard disk media
Drive Partitions 4
Drive SCSIbus 4
Drive SCSILogicalUnit 0
Drive SCSIPort 4
Drive SCSTargetId 0
Drive SectorsPerTrack 63
Drive Size 503814850560 bytes
Drive TotalCylinders 61252
Drive TotalSectors 984013380
Drive TotalTracks 15619260
Drive TracksPerCylinder 255

Drive Z:
Description Local Fixed Disk
Compressed False

Appendix C – Tunable Parameters

File System NTFS
Size 78.13 GB (83,889,618,944 bytes)
Free Space 33.86 GB (36,361,273,344 bytes)
Volume Name
Volume Serial Number D0DFEFA0
Partition Disk #5, Partition #2
Partition Size 78.13 GB (83,889,630,720 bytes)
Starting Offset Not Available
Drive Description \\.\PHYSICALDRIVE5
Drive Manufacturer Not Available
Drive Model Not Available
Drive BytesPerSector 512
Drive MediaLoaded True
Drive MediaType Fixed hard disk media
Drive Partitions 3
Drive SCSIbus 4
Drive SCSILogicalUnit 0
Drive SCSIPort 4
Drive SCSTargetId 1
Drive SectorsPerTrack 63
Drive Size 503814850560 bytes
Drive TotalCylinders 61252
Drive TotalSectors 984013380
Drive TotalTracks 15619260
Drive TracksPerCylinder 255

[SCSI]

Item Value
Name Adaptec AIC-7892 Ultra160/m PCI SCSI Card
Caption Adaptec AIC-7892 Ultra160/m PCI SCSI Card
Driver adpul60m
Status OK
PNP Device ID
PCI\VEN_9005&DEV_008F&SUBSYS_01091028&REV_02\3&13C0B0C5&0&18
Device ID
PCI\VEN_9005&DEV_008F&SUBSYS_01091028&REV_02\3&13C0B0C5&0&18
Device Map Not Available
Index Not Available
Max Number Controlled Not Available
IRQ Number 16
I/O Port 0xEC00-0xECFF
Driver c:\winnt\system32\drivers\adpul60m.sys (64432, v3.10a)

Name Mylex AcceleRAID 352 Disk Array Controller
Caption Mylex AcceleRAID 352 Disk Array Controller
Driver dac2w2k
Status OK
PNP Device ID
PCI\VEN_1069&DEV_0050&SUBSYS_00501069&REV_02\3&1070020&0&09
Device ID PCI\VEN_1069&DEV_0050&SUBSYS_00501069&REV_02\3&1070020&0&09
Device Map Not Available
Index Not Available
Max Number Controlled Not Available

Appendix C – Tunable Parameters

IRQ Number 21
Driver c:\winnt\system32\drivers\dac2w2k.sys (185584, 9.00-04)

Name Mylex eXtremeRAID 2000 Disk Array Controller
Caption Mylex eXtremeRAID 2000 Disk Array Controller
Driver dac2w2k
Status OK
PNP Device ID
PCI\VEN_1069&DEV_BA56&SUBSYS_00401069&REV_00\4&2AAB4416&0&4008
Device ID
PCI\VEN_1069&DEV_BA56&SUBSYS_00401069&REV_00\4&2AAB4416&0&4008
Device Map Not Available
Index Not Available
Max Number Controlled Not Available
IRQ Number 25
I/O Port 0xCC80-0xCCFF
Driver c:\winnt\system32\drivers\dac2w2k.sys (185584, 9.00-04)

Name Mylex eXtremeRAID 2000 Disk Array Controller
Caption Mylex eXtremeRAID 2000 Disk Array Controller
Driver dac2w2k
Status OK
PNP Device ID
PCI\VEN_1069&DEV_BA56&SUBSYS_00401069&REV_00\4&18212E42&0&4008
Device ID
PCI\VEN_1069&DEV_BA56&SUBSYS_00401069&REV_00\4&18212E42&0&4008
Device Map Not Available
Index Not Available
Max Number Controlled Not Available
IRQ Number 23
I/O Port 0xBC80-0xBCFF
Driver c:\winnt\system32\drivers\dac2w2k.sys (185584, 9.00-04)

Name Mylex AcceleRAID 352 Disk Array Controller
Caption Mylex AcceleRAID 352 Disk Array Controller
Driver dac2w2k
Status OK
PNP Device ID
PCI\VEN_1069&DEV_0050&SUBSYS_00501069&REV_02\3&E44F86D&0&09
Device ID PCI\VEN_1069&DEV_0050&SUBSYS_00501069&REV_02\3&E44F86D&0&09
Device Map Not Available
Index Not Available
Max Number Controlled Not Available
IRQ Number 29
Driver c:\winnt\system32\drivers\dac2w2k.sys (185584, 9.00-04)

[Printing]

Name Port Name Server Name
No printing information

[Problem Devices]

Device	PNP Device ID	Error Code
--------	---------------	------------

Appendix C – Tunable Parameters

PE/PV 1x4 SCSI BP SCSI Processor Device
SCSI\PROCESSOR&VEN_PE/PV&PROD_1X4_SCSI_BP&REV_0.28\4&39BE13D2&0&0
60 28

Secondary IDE Channel PCIIDE\IDECHANNEL\4&10A8249&0&1 12

PE/PV 2x4 SCSI BP SCSI Processor Device
SCSI\PROCESSOR&VEN_PE/PV&PROD_2X4_SCSI_BP&REV_0.28\4&1B797120&0&0
60 28

PE/PV 2x4 SCSI BP SCSI Processor Device
SCSI\PROCESSOR&VEN_PE/PV&PROD_2X4_SCSI_BP&REV_0.28\4&1B797120&0&1
60 28

DELL PV22XS SCSI Processor Device
SCSI\PROCESSOR&VEN_DELL&PROD_PV22XS&REV_E.10\5&54721FD&0&060
28

DELL PV22XS SCSI Processor Device
SCSI\PROCESSOR&VEN_DELL&PROD_PV22XS&REV_E.10\5&54721FD&0&160
28

DELL PV22XS SCSI Processor Device
SCSI\PROCESSOR&VEN_DELL&PROD_PV22XS&REV_E.10\5&54721FD&0&260
28

DELL PV22XS SCSI Processor Device
SCSI\PROCESSOR&VEN_DELL&PROD_PV22XS&REV_E.10\5&54721FD&0&360
28

DELL PV22XS SCSI Processor Device
SCSI\PROCESSOR&VEN_DELL&PROD_PV22XS&REV_E.10\5&185D32FD&0&060
28

DELL PV22XS SCSI Processor Device
SCSI\PROCESSOR&VEN_DELL&PROD_PV22XS&REV_E.10\5&185D32FD&0&160
28

DELL PV22XS SCSI Processor Device
SCSI\PROCESSOR&VEN_DELL&PROD_PV22XS&REV_E.10\5&185D32FD&0&260
28

DELL PV22XS SCSI Processor Device
SCSI\PROCESSOR&VEN_DELL&PROD_PV22XS&REV_E.10\5&185D32FD&0&360
28

DELL PV22XS SCSI Processor Device
SCSI\PROCESSOR&VEN_DELL&PROD_PV22XS&REV_E.10\4&E921365&0&060
28

DELL PV22XS SCSI Processor Device
SCSI\PROCESSOR&VEN_DELL&PROD_PV22XS&REV_E.10\4&E921365&0&160
28

[USB]

Device PNP Device ID
Standard OpenHCD USB Host Controller
PCI\VEN_1166&DEV_0220&SUBSYS_02201166&REV_05\3&13C0B0C5&0&7A
USB Root Hub USB\ROOT_HUB\4&1A0F8909&0

[Software Environment]

[Following are sub-categories of this main category]

[Drivers]

Appendix C – Tunable Parameters

Name	Description	File	Type	Started	Start Mode	State	Status
	Error Control		Accept	Pause	Accept	Stop	
abiosdsk	Abiosdsk		Not Available		Kernel Driver		False
	Disabled	Stopped	OK	Ignore	False	False	
abp480n5	abp480n5		Not Available		Kernel Driver		False
	Disabled	Stopped	OK	Normal	False	False	
acpi	Microsoft ACPI Driver	c:\winnt\system32\drivers\acpi.sys	Kernel Driver	True	Boot	Running	OK
	Kernel Driver	True	Boot	Running	OK	Normal	False
	True						
acpiec	ACPIEC	c:\winnt\system32\drivers\acpiec.sys	Kernel Driver	False	Disabled	Stopped	OK
	Kernel Driver	False	Disabled	Stopped	OK	Normal	
	False	False					
adpu160m	adpu160m	c:\winnt\system32\drivers\adpu160m.sys	Kernel Driver	True	Boot	Running	OK
	Kernel Driver	True	Boot	Running	OK	Normal	False
	True						
afd	AFD Networking Support Environment	c:\winnt\system32\drivers\afd.sys	Kernel Driver	True	Running	OK	Normal
	Running	OK	Normal	False	True		Auto
	Running	OK	Normal	False	True		
aha154x	Aha154x		Not Available		Kernel Driver		False
	Disabled	Stopped	OK	Normal	False	False	
aic116x	aic116x		Not Available		Kernel Driver		False
	Disabled	Stopped	OK	Normal	False	False	
aic78u2	aic78u2		Not Available		Kernel Driver		False
	Disabled	Stopped	OK	Normal	False	False	
aic78xx	aic78xx		Not Available		Kernel Driver		False
	Disabled	Stopped	OK	Normal	False	False	
ami0nt	ami0nt		Not Available		Kernel Driver		False
	Disabled	Stopped	OK	Normal	False	False	
amsint	amsint		Not Available		Kernel Driver		False
	Disabled	Stopped	OK	Normal	False	False	
asc	asc		Not Available		Kernel Driver		False
	Stopped	OK	Normal	False	False		
asc3350p	asc3350p		Not Available		Kernel Driver		False
	Disabled	Stopped	OK	Normal	False	False	
asc3550	asc3550		Not Available		Kernel Driver		False
	Disabled	Stopped	OK	Normal	False	False	
asyncmac	RAS Asynchronous Media Driver	c:\winnt\system32\drivers\asyncmac.sys	Kernel Driver	Manual	Stopped	OK	Normal
	Manual	Stopped	OK	Normal	False	False	False
atapi	Standard IDE/ESDI Hard Disk Controller	c:\winnt\system32\drivers\atapi.sys	Kernel Driver	Running	OK	Normal	False
	Running	OK	Normal	False	True		Boot
	Running	OK	Normal	False	True		
atdisk	Atdisk		Not Available		Kernel Driver		False
	Disabled	Stopped	OK	Ignore	False	False	
atirage3	atirage3	c:\winnt\system32\drivers\atimpab.sys	Kernel Driver	True	Manual	Running	OK
	Kernel Driver	True	Manual	Running	OK	Ignore	
	False	True					
atmarpc	ATM ARP Client Protocol	c:\winnt\system32\drivers\atmarpc.sys	Kernel Driver	Manual	Stopped	OK	Normal
	Manual	Stopped	OK	Normal	False	False	False
	Manual	Stopped	OK	Normal	False	False	
audstub	Audio Stub Driver	c:\winnt\system32\drivers\audstub.sys	Kernel Driver	True	Manual	Running	OK
	Kernel Driver	True	Manual	Running	OK	Normal	
	False	True					

Appendix C – Tunable Parameters

```

b57w2k      Broadcom NetXtreme Gigabit Ethernet
             c:\winnt\system32\drivers\b57w2k.sys      Kernel Driver      True
             Manual      Running      OK      Normal      False True
beep        Beep      c:\winnt\system32\drivers\beep.sys      Kernel Driver      True
             System      Running      OK      Normal      False True
buslogic    BusLogic      Not Available      Kernel Driver      False
             Disabled    Stopped      OK      Normal      False False
cd20xrnt    cd20xrnt      Not Available      Kernel Driver      False
             Disabled    Stopped      OK      Normal      False False
cdaudio     Cdaudio      c:\winnt\system32\drivers\cdaudio.sys
             Kernel Driver      False System      Stopped      OK      Ignore
             False False
cdfs        Cdfs      c:\winnt\system32\drivers\cdfs.sys      File System Driver
             True      Disabled      Running      OK      Normal      False True
cdrom       CD-ROM Driver      c:\winnt\system32\drivers\cdrom.sys      Kernel
Driver      True      System      Running      OK      Normal      False True
changer     Changer      Not Available      Kernel Driver      False
             System      Stopped      OK      Ignore      False False
cpqarray    Cpqarray      Not Available      Kernel Driver      False
             Disabled    Stopped      OK      Normal      False False
cpqarray2   cpqarray2      Not Available      Kernel Driver      False
             Disabled    Stopped      OK      Normal      False False
cpqfcalm    cpqfcalm      Not Available      Kernel Driver      False
             Disabled    Stopped      OK      Normal      False False
cpqfws2e    cpqfws2e      Not Available      Kernel Driver      False
             Disabled    Stopped      OK      Normal      False False
dac2w2k     dac2w2k      c:\winnt\system32\drivers\dac2w2k.sys
             Kernel Driver      True      Boot      Running      OK      Normal      False
             True
dac960nt    dac960nt      Not Available      Kernel Driver      False
             Disabled    Stopped      OK      Normal      False False
deckzpsx    deckzpsx      Not Available      Kernel Driver      False
             Disabled    Stopped      OK      Normal      False False
dfsdriver   DfsDriver      c:\winnt\system32\drivers\dfs.sys      File System
Driver      True      Boot      Running      OK      Normal      False True
disk        Disk Driver      c:\winnt\system32\drivers\disk.sys      Kernel Driver
             True      Boot      Running      OK      Normal      False True
diskperf    Diskperf      c:\winnt\system32\drivers\diskperf.sys
             Kernel Driver      True      Boot      Running      OK      Normal      False
             True
dmboot      dmboot      c:\winnt\system32\drivers\dmboot.sys
             Kernel Driver      False      Disabled      Stopped      OK      Normal
             False False
dmio        Logical Disk Manager Driver      c:\winnt\system32\drivers\dmio.sys
             Kernel Driver      True      Boot      Running      OK      Normal      False
             True
dmload      dmload      c:\winnt\system32\drivers\dmload.sys
             Kernel Driver      True      Boot      Running      OK      Normal      False
             True
e100b       Intel PRO Adapter Driver
             c:\winnt\system32\drivers\e100bnt5.sys      Kernel Driver      False
             Manual      Stopped      OK      Normal      False False
efs         EFS      c:\winnt\system32\drivers\efs.sys      File System Driver
             True      Disabled      Running      OK      Normal      False True

```


Appendix C – Tunable Parameters

fastfat	Fastfat	c:\winnt\system32\drivers\fastfat.sys	File					
System Driver	True	Disabled	Running	OK	Normal	False	False	
	True							
fd16_700	Fd16_700	Not Available	Kernel Driver			False	False	
	Disabled	Stopped	OK	Normal	False	False	False	
fdc	Floppy Disk Controller Driver	c:\winnt\system32\drivers\fdc.sys	Kernel Driver	True	Manual	Running	OK	Normal
	False	True						
fireport	fireport	Not Available	Kernel Driver			False	False	
	Disabled	Stopped	OK	Normal	False	False	False	
flashpnt	flashpnt	Not Available	Kernel Driver			False	False	
	Disabled	Stopped	OK	Normal	False	False	False	
flpydisk	Floppy Disk Driver							
		c:\winnt\system32\drivers\flpydisk.sys	Kernel Driver			True	True	
	Manual	Running	OK	Normal	False	True	True	
ftdisk	Volume Manager Driver							
		c:\winnt\system32\drivers\ftdisk.sys	Kernel Driver			True	True	
	Boot	Running	OK	Normal	False	True	True	
gamdrv	gamdrv	c:\winnt\system32\drivers\gamdrv.sys	Kernel Driver	True	Boot	Running	OK	Normal
	True							False
gpc	Generic Packet Classifier	c:\winnt\system32\drivers\msgpc.sys	Kernel Driver	True	Manual	Running	OK	Normal
	False	True						
i8042prt	i8042 Keyboard and PS/2 Mouse Port Driver							
		c:\winnt\system32\drivers\i8042prt.sys	Kernel Driver			True	True	
	System	Running	OK	Normal	False	True	True	
ini910u	ini910u	Not Available	Kernel Driver			False	False	
	Disabled	Stopped	OK	Normal	False	False	False	
intelide	IntelIde	Not Available	Kernel Driver			False	False	
	Disabled	Stopped	OK	Normal	False	False	False	
interruptaffinityfilter	Interrupt Affinity Filter							
		c:\winnt\system32\drivers\intfiltr.sys	Kernel Driver			True	True	
	Boot	Running	OK	Normal	False	True	True	
ipfilterdriver	IP Traffic Filter Driver							
		c:\winnt\system32\drivers\ipfltdrv.sys	Kernel Driver			False	False	
	Manual	Stopped	OK	Normal	False	False	False	
ipinip	IP in IP Tunnel Driver							
		c:\winnt\system32\drivers\ipinip.sys	Kernel Driver			False	False	
	Manual	Stopped	OK	Normal	False	False	False	
ipnat	IP Network Address Translator	c:\winnt\system32\drivers\ipnat.sys	Kernel Driver	False	Manual	Stopped	OK	Normal
	False	False						
ipsec	IPSEC driver	c:\winnt\system32\drivers\ipsec.sys	Kernel Driver	False	Manual	Stopped	OK	Normal
Driver	False	Manual	Stopped	OK	Normal	False	False	False
ipsraidn	ipsraidn	Not Available	Kernel Driver			False	False	
	Disabled	Stopped	OK	Normal	False	False	False	
isapnp	PnP ISA/EISA Bus Driver							
		c:\winnt\system32\drivers\isapnp.sys	Kernel Driver			True	True	
	Boot	Running	OK	Critical	False	True	True	
kbdclass	Keyboard Class Driver							
		c:\winnt\system32\drivers\kbdclass.sys	Kernel Driver			True	True	
	System	Running	OK	Normal	False	True	True	
knitr	knitr	c:\winnt\system32\drivers\knitr.sys	Kernel Driver			True	True	
	System	Running	OK	Normal	False	True	True	

Appendix C – Tunable Parameters

```

ksecdd      KSecDD      c:\winnt\system32\drivers\ksecdd.sys
            Kernel Driver  True Boot Running      OK      Normal      False
            True

lbrtfdc     lbrtfdc     Not Available      Kernel Driver      False
            System        Stopped      OK      Ignore      False False

lp6nds35    lp6nds35    Not Available      Kernel Driver      False
            Disabled      Stopped      OK      Normal      False False

macdisk     macdisk     c:\winnt\system32\drivers\mac2w2k.sys
            Kernel Driver  True Boot Running      OK      Normal      False
            True

mmnmd       mmnmd       c:\winnt\system32\drivers\mmnmd.sys Kernel Driver      True
            System        Running      OK      Ignore      False True

modem       Modem       c:\winnt\system32\drivers\modem.sys Kernel Driver      False
            Manual        Stopped      OK      Ignore      False False

mouclass    Mouse Class Driver
            c:\winnt\system32\drivers\mouclass.sys Kernel Driver      True
            System        Running      OK      Normal      False True

mountmgr    MountMgr    c:\winnt\system32\drivers\mountmgr.sys
            Kernel Driver  True Boot Running      OK      Normal      False
            True

mraid2k     mraid2k     c:\winnt\system32\drivers\mraid2k.sys
            Kernel Driver  True Boot Running      OK      Normal      False
            True

mraid35x    mraid35x    Not Available      Kernel Driver      False
            Disabled      Stopped      OK      Normal      False False

mrxsmb      MRXSMB      c:\winnt\system32\drivers\mrxsmb.sys      File
            System Driver  True System      Running      OK      Normal      False

msfs        Msfs        c:\winnt\system32\drivers\msfs.sys      File System Driver
            True System      Running      OK      Normal      False True

mskssrv     Microsoft Streaming Service Proxy
            c:\winnt\system32\drivers\mskssrv.sys Kernel Driver      False
            Manual        Stopped      OK      Normal      False False

mspclock    Microsoft Streaming Clock Proxy
            c:\winnt\system32\drivers\mspclock.sys Kernel Driver      False
            Manual        Stopped      OK      Normal      False False

mspqm       Microsoft Streaming Quality Manager Proxy
            c:\winnt\system32\drivers\mspqm.sys Kernel Driver      False
            Manual        Stopped      OK      Normal      False False

mup         Mup         c:\winnt\system32\drivers\mup.sys      File System Driver
            True Boot Running      OK      Normal      False True

ncrc710     Ncrc710     Not Available      Kernel Driver      False
            Disabled      Stopped      OK      Normal      False False

ndis        NDIS System Driver      c:\winnt\system32\drivers\ndis.sys
            Kernel Driver  True Boot Running      OK      Normal      False
            True

ndistapi    Remote Access NDIS TAPI Driver
            c:\winnt\system32\drivers\ndistapi.sys Kernel Driver      True
            Manual        Running      OK      Normal      False True

ndiswan     Remote Access NDIS WAN Driver
            c:\winnt\system32\drivers\ndiswan.sys Kernel Driver      True
            Manual        Running      OK      Normal      False True

ndproxy     NDIS Proxy  c:\winnt\system32\drivers\ndproxy.sys
            Kernel Driver  True Manual      Running      OK      Normal
            False True

```

Appendix C – Tunable Parameters

```

netbios      NetBIOS Interface c:\winnt\system32\drivers\netbios.sys
             File System Driver      True System      Running      OK
             Normal      False True
netbt        NetBios over Tcpip      c:\winnt\system32\drivers\netbt.sys
             Kernel Driver      True System      Running      OK      Normal
             False True
netdetect    NetDetect      c:\winnt\system32\drivers\netdect.sys
             Kernel Driver      False Manual      Stopped      OK      Normal
             False False
npfs         Npfs c:\winnt\system32\drivers\npfs.sys File System Driver
             True System      Running      OK      Normal      False True
ntfs         Ntfs c:\winnt\system32\drivers\ntfs.sys File System Driver
             True Disabled      Running      OK      Normal      False True
null         Null c:\winnt\system32\drivers\null.sys Kernel Driver      True
             System      Running      OK      Normal      False True
nwlkflt      IPX Traffic Filter Driver
             c:\winnt\system32\drivers\nwlkflt.sys Kernel Driver      False
             Manual      Stopped      OK      Normal      False False
nwlk fwd     IPX Traffic Forwarder Driver
             c:\winnt\system32\drivers\nwlk fwd.sys Kernel Driver      False
             Manual      Stopped      OK      Normal      False False
openhci      Microsoft USB Open Host Controller Driver
             c:\winnt\system32\drivers\openhci.sys Kernel Driver      True
             Manual      Running      OK      Normal      False True
parallel     Parallel c:\winnt\system32\drivers\parallel.sys
             Kernel Driver      False Auto      Stopped      OK      Ignore      False
             False
parport      Parport c:\winnt\system32\drivers\parport.sys
             Kernel Driver      False Auto      Stopped      OK      Ignore      False
             False
partmgr      PartMgr c:\winnt\system32\drivers\partmgr.sys
             Kernel Driver      True Boot      Running      OK      Normal      False
             True
parvdm       ParVdm c:\winnt\system32\drivers\parvdm.sys
             Kernel Driver      False Auto      Stopped      OK      Ignore      False
             False
pci          PCI Bus Driver c:\winnt\system32\drivers\pci.sys Kernel
Driver      True Boot      Running      OK      Critical      False True
pcidump      PCIDump Not Available      Kernel Driver      False
             System      Stopped      OK      Ignore      False False
pciide       PCIIDE c:\winnt\system32\drivers\pciide.sys
             Kernel Driver      True Boot      Running      OK      Normal      False
             True
pcmcia       Pcmcia c:\winnt\system32\drivers\pcmcia.sys
             Kernel Driver      False Disabled      Stopped      OK      Normal
             False False
pdcomp       PDCOMP Not Available      Kernel Driver      False
             Manual      Stopped      OK      Ignore      False False
pdframe      PDFRAME Not Available      Kernel Driver      False
             Manual      Stopped      OK      Ignore      False False
pdreli       PDRELI Not Available      Kernel Driver      False
             Manual      Stopped      OK      Ignore      False False
pdrframe     PDRFRAME Not Available      Kernel Driver      False
             Manual      Stopped      OK      Ignore      False False

```

Appendix C – Tunable Parameters

```

pptpminiport      WAN Miniport (PPTP)
  c:\winnt\system32\drivers\rasppptp.sys  Kernel Driver  True
  Manual      Running      OK      Normal      False True
ptilink          Direct Parallel Link Driver
  c:\winnt\system32\drivers\ptilink.sys  Kernel Driver  True
  Manual      Running      OK      Normal      False True
ql1080          ql1080      Not Available  Kernel Driver  False
  Disabled    Stopped     OK      Normal      False False
ql10wnt         Ql10wnt    Not Available  Kernel Driver  False
  Disabled    Stopped     OK      Normal      False False
ql1240          ql1240    Not Available  Kernel Driver  False
  Disabled    Stopped     OK      Normal      False False
ql2100          ql2100    Not Available  Kernel Driver  False
  Disabled    Stopped     OK      Normal      False False
rasacd          Remote Access Auto Connection Driver
  c:\winnt\system32\drivers\rasacd.sys  Kernel Driver  True
  System      Running      OK      Normal      False True
rasl2tp         WAN Miniport (L2TP)
  c:\winnt\system32\drivers\rasl2tp.sys  Kernel Driver  True
  Manual      Running      OK      Normal      False True
raspti          Direct Parallel  c:\winnt\system32\drivers\raspti.sys
  Kernel Driver  True  Manual      Running      OK      Normal
  False True
rca             Microsoft Streaming Network Raw Channel Access
  c:\winnt\system32\drivers\rca.sys  Kernel Driver  False
  Manual      Stopped     OK      Normal      False False
rdbss          Rdbss c:\winnt\system32\drivers\rdbss.sys File System Driver
  True System      Running      OK      Normal      False True
rdpwd          RDPWD c:\winnt\system32\drivers\rdpwd.sys Kernel Driver  False
  Manual      Stopped     OK      Ignore      False False
redbook        Digital CD Audio Playback Filter Driver
  c:\winnt\system32\drivers\redbook.sys  Kernel Driver  False
  System      Stopped     OK      Normal      False False
sandra         SANDRA      \??\c:\program files\sisoftware\sisoftware
sandra 2002 professional\sandra.sys Kernel Driver  False Manual
  Stopped     OK      Normal      False False
scsiprnt       Microsoft SCSI/1394 Generic Printer Class
  c:\winnt\system32\drivers\scsiprnt.sys  Kernel Driver  False
  Manual      Stopped     OK      Normal      False False
serenum        Serenum Filter Driver
  c:\winnt\system32\drivers\serenum.sys  Kernel Driver  True
  Manual      Running      OK      Normal      False True
serial         Serial port driver
  c:\winnt\system32\drivers\serial.sys  Kernel Driver  True
  System      Running      OK      Ignore      False True
sfloppy        Sfloppy c:\winnt\system32\drivers\sfloppy.sys
  Kernel Driver  False System      Stopped     OK      Ignore
  False False
sglfb          sglfb Not Available  Kernel Driver  False System
  Stopped     OK      Normal      False False
simbad         Simbad      Not Available  Kernel Driver  False
  Disabled    Stopped     OK      Normal      False False
sparrow        Sparrow     Not Available  Kernel Driver  False
  Disabled    Stopped     OK      Normal      False False

```

Appendix C – Tunable Parameters

```

srv      Srv      c:\winnt\system32\drivers\srv.sys      File System Driver
        True Manual      Running      OK      Normal      False True
ssccache  SSC Cache  c:\winnt\system32\drivers\ssccache.sys
        Kernel Driver  False Boot  Stopped      OK      Normal      False
        False
sscmemqu  SSC Memory Query  c:\winnt\system32\drivers\sscmemqu.sys
        Kernel Driver  True Auto  Running      OK      Normal      False
        True
swenum    Software Bus Driver
        c:\winnt\system32\drivers\swenum.sys      Kernel Driver      True
        Manual      Running      OK      Normal      False True
symc810  symc810  Not Available      Kernel Driver      False
        Disabled  Stopped      OK      Normal      False False
symc8xx  symc8xx  Not Available      Kernel Driver      False
        Disabled  Stopped      OK      Normal      False False
sym_hi   sym_hi   Not Available      Kernel Driver      False
        Disabled  Stopped      OK      Normal      False False
tbs      Tbs      c:\winnt\system32\drivers\tbs.sys      Kernel Driver      True
        System      Running      OK      Ignore      False True
tcpip    TCP/IP Protocol Driver  c:\winnt\system32\drivers\tcpip.sys
        Kernel Driver  True System      Running      OK      Normal
        False True
tdasync  TDASYNC  c:\winnt\system32\drivers\tdasync.sys
        Kernel Driver  False Manual      Stopped      OK      Ignore
        False False
tdipx    TDIPX    c:\winnt\system32\drivers\tdipx.sys  Kernel Driver      False
        Manual      Stopped      OK      Ignore      False False
tdnetb   TDNETB   c:\winnt\system32\drivers\tdnetb.sys
        Kernel Driver  False Manual      Stopped      OK      Ignore
        False False
tdpipe   TDPIPE   c:\winnt\system32\drivers\tdpipe.sys
        Kernel Driver  False Manual      Stopped      OK      Ignore
        False False
tdspx    TDSPX    c:\winnt\system32\drivers\tdspx.sys  Kernel Driver      False
        Manual      Stopped      OK      Ignore      False False
tdtcp    TDTCP    c:\winnt\system32\drivers\tdtcp.sys  Kernel Driver      False
        Manual      Stopped      OK      Ignore      False False
termdd   Terminal Device Driver
        c:\winnt\system32\drivers\termdd.sys      Kernel Driver      False
        Disabled  Stopped      OK      Normal      False False
tga      tga      Not Available      Kernel Driver      False System
        Stopped      OK      Ignore      False False
udfs     Udfs     c:\winnt\system32\drivers\udfs.sys  File System Driver
        False Disabled  Stopped      OK      Normal      False False
ultra66  ultra66  Not Available      Kernel Driver      False
        Disabled  Stopped      OK      Normal      False False
update   Microcode Update Driver
        c:\winnt\system32\drivers\update.sys      Kernel Driver      True
        Manual      Running      OK      Normal      False True
usbhub   Microsoft USB Standard Hub Driver
        c:\winnt\system32\drivers\usbhub.sys      Kernel Driver      True
        Manual      Running      OK      Normal      False True
vgasave  VgaSave  c:\winnt\system32\drivers\vga.sys  Kernel
Driver  True System      Running      OK      Ignore      False True

```

Appendix C – Tunable Parameters

wanarp	Remote Access IP ARP Driver					
	c:\winnt\system32\drivers\wanarp.sys	Kernel Driver	True			
	Manual	Running	OK	Normal	False	True
wdica	WDICA Not Available	Kernel Driver	False	Manual		
	Stopped	OK	Ignore	False	False	

[Environment Variables]

Variable	Value	User Name	
ComSpec	%SystemRoot%\system32\cmd.exe	<SYSTEM>	
NUMBER_OF_PROCESSORS	8	<SYSTEM>	
OS	Windows_NT	<SYSTEM>	
Os2LibPath	%SystemRoot%\system32\os2\dll;	<SYSTEM>	
Path	%SystemRoot%\system32;%SystemRoot%;%SystemRoot%\System32\Wbem;C:\Program Files\Microsoft SQL Server\80\Tools\BINN;C:\Program Files\Microsoft SQL Server\MSSQL\Binn;. ; <SYSTEM>		
PATHEXT	.COM;.EXE;.BAT;.CMD;.VBS;.VBE;.JS;.JSE;.WSF;.WSH	<SYSTEM>	
PROCESSOR_ARCHITECTURE	x86	<SYSTEM>	
PROCESSOR_IDENTIFIER	x86 Family 15 Model 1 Stepping 1, GenuineIntel	<SYSTEM>	
PROCESSOR_LEVEL	15	<SYSTEM>	
PROCESSOR_REVISION	0101	<SYSTEM>	
TEMP	%SystemRoot%\TEMP	<SYSTEM>	
TMP	%SystemRoot%\TEMP	<SYSTEM>	
windir	%SystemRoot%	<SYSTEM>	
Lib	C:\Program Files\Intel\VTune50\lib%	PE6500\Administrator	
Path	C:\Program Files\Intel\VTune50\path%	PE6500\Administrator	
TEMP	%USERPROFILE%\Local Settings\Temp	PE6500\Administrator	
TMP	%USERPROFILE%\Local Settings\Temp	PE6500\Administrator	

[Jobs]

[Following are sub-categories of this main category]

[Print]

Document	Size	Owner	Notify	Status	Time Submitted	Start
Time	Until	Time	Elapsed	Time	Pages	Printed
Priority	Parameters	Driver	Name	Print	Processor	Host
Queue	Data	Type	Name			Print
Unknown	Unknown	Unknown	Unknown	Unknown	Unknown	Unknown
	Unknown	Unknown	Unknown	Unknown	Unknown	Unknown
	Unknown	Unknown	Unknown	Unknown	Unknown	Unknown
	Unknown	Unknown	Unknown	Unknown	Unknown	Unknown

[Network Connections]

Local Name	Remote Name	Type	Status	User Name
No network connections information				

[Running Tasks]

Appendix C – Tunable Parameters

Name	Path	Process ID	Priority	Min Working Set	Max Working Set
	Start Time	Version	Size	File Date	
system idle process			Not Available	0	0
	Not Available		Not Available	Unknown	Unknown
	Unknown				
system		Not Available	8	8	0
Available	Unknown	Unknown	Unknown	Unknown	Unknown
smss.exe	c:\winnt\system32\smss.exe			188	11
	1413120	5/21/2002	6:59:44 PM	5.00.2170.1	44.27 KB (45,328 bytes)
		12/7/1999	6:00:00 AM		
csrss.exe		Not Available	216	13	Not Available
Available	5/21/2002	6:59:54 PM	Unknown	Unknown	Unknown
winlogon.exe	c:\winnt\system32\winlogon.exe			236	13
	204800	1413120	5/21/2002	6:59:57 PM	5.00.2182.1
					173.27 KB (177,424 bytes)
		12/7/1999	6:00:00 AM		
services.exe	c:\winnt\system32\services.exe			264	9
	204800	1413120	5/21/2002	6:59:58 PM	5.00.2134.1
					86.77 KB (88,848 bytes)
		12/7/1999	6:00:00 AM		
lsass.exe	c:\winnt\system32\lsass.exe			276	13
	1413120	5/21/2002	6:59:58 PM	5.00.2184.1	32.77 KB (33,552 bytes)
		12/7/1999	6:00:00 AM		
svchost.exe	c:\winnt\system32\svchost.exe			424	8
	1413120	5/21/2002	7:00:02 PM	5.00.2134.1	7.77 KB (7,952 bytes)
		12/7/1999	6:00:00 AM		
msdtc.exe	c:\winnt\system32\msdtc.exe			448	8
	1413120	5/21/2002	7:00:02 PM	1999.9.3421.3	6.77 KB (6,928 bytes)
		1/9/2002	5:22:36 AM		
svchost.exe	c:\winnt\system32\svchost.exe			700	8
	1413120	5/21/2002	7:00:04 PM	5.00.2134.1	7.77 KB (7,952 bytes)
		12/7/1999	6:00:00 AM		
gamscm.exe	c:\winnt\system32\gamserv\gamscm.exe			712	8
	204800	1413120	5/21/2002	7:00:05 PM	Not Available
					119.28 KB (122,144 bytes)
		1/9/2002	2:47:01 PM		
winmgmt.exe	c:\winnt\system32\wbem\winmgmt.exe			752	8
	1413120	5/21/2002	7:00:05 PM	1.50.1085.0001	188.05 KB (192,567 bytes)
		12/7/1999	6:00:00 AM		
gamserv.exe	c:\winnt\system32\gamserv\gamserv.exe			760	13
	204800	1413120	5/21/2002	7:00:05 PM	Not Available
					126.70 KB (129,745 bytes)
		1/9/2002	2:47:01 PM		
gamevent.exe	c:\winnt\system32\gamserv\gamevent.exe			768	13
	204800	1413120	5/21/2002	7:00:05 PM	Not Available
					88.71 KB (90,834 bytes)
		1/9/2002	2:47:01 PM		
gamevlog.exe	c:\winnt\system32\gamserv\gamevlog.exe			776	13
	204800	1413120	5/21/2002	7:00:05 PM	Not Available
					186.85 KB (191,330 bytes)
		1/9/2002	2:47:01 PM		
dfssvc.exe	c:\winnt\system32\dfssvc.exe			888	8
	1413120	5/21/2002	7:00:12 PM	5.00.2191.1	85.27 KB (87,312 bytes)
		12/7/1999	6:00:00 AM		
explorer.exe	c:\winnt\explorer.exe			944	8
	1413120	5/21/2002	7:00:14 PM	5.00.2920.0000	232.77 KB (238,352 bytes)
		12/7/1999	6:00:00 AM		
svchost.exe	c:\winnt\system32\svchost.exe			1112	8
	1413120	5/21/2002	7:00:23 PM	5.00.2134.1	7.77 KB (7,952 bytes)
		12/7/1999	6:00:00 AM		

Appendix C – Tunable Parameters

```
mmc.exe      c:\winnt\system32\mmc.exe      992   8     204800
             1413120      5/22/2002 11:47:16 AM      5.00.2153.1 589.27 KB
(603,408 bytes) 12/7/1999 6:00:00 AM
mmc.exe      c:\winnt\system32\mmc.exe      1092  8     204800
             1413120      5/23/2002 11:21:07 AM      5.00.2153.1 589.27 KB
(603,408 bytes) 12/7/1999 6:00:00 AM
rsvp.exe     c:\winnt\system32\rsvp.exe     900   8     204800
             1413120      5/23/2002 11:23:46 AM      5.00.2167.1 172.77 KB
(176,912 bytes) 12/7/1999 6:00:00 AM
```

[Loaded Modules]

```
Name Version      Size File Date      Manufacturer      Path
traffic.dll 5.00.2139.1 30.77 KB (31,504 bytes) 12/7/1999 6:00:00 AM
             Microsoft Corporation c:\winnt\system32\traffic.dll
rsvp.exe    5.00.2167.1 172.77 KB (176,912 bytes) 12/7/1999 6:00:00 AM
             Microsoft Corporation c:\winnt\system32\rsvp.exe
wbemprox.dll 1.50.1085.0001 40.05 KB (41,016 bytes) 12/7/1999
6:00:00 AM Microsoft Corporation c:\winnt\system32\wbem\wbemprox.dll
rassapi.dll 5.00.2188.1 14.27 KB (14,608 bytes) 12/7/1999 6:00:00 AM
             Microsoft Corporation c:\winnt\system32\rassapi.dll
adsnt.dll   5.00.2191.1 194.27 KB (198,928 bytes) 12/7/1999 6:00:00 AM
             Microsoft Corporation c:\winnt\system32\adsnt.dll
dbghelp.dll 5.00.2195.1 159.27 KB (163,088 bytes) 12/7/1999 6:00:00 AM
             Microsoft Corporation c:\winnt\system32\dbghelp.dll
localesec.dll 5.00.2134.1 227.27 KB (232,720 bytes) 12/7/1999
6:00:00 AM Microsoft Corporation c:\winnt\system32\localesec.dll
devmgr.dll  5.00.2166.1 215.77 KB (220,944 bytes) 12/7/1999 6:00:00 AM
             Microsoft Corporation c:\winnt\system32\devmgr.dll
filemgmt.dll 5.00.2134.1 287.27 KB (294,160 bytes) 12/7/1999
6:00:00 AM Microsoft Corporation c:\winnt\system32\filemgmt.dll
pdh.dll     5.00.2174.1 143.27 KB (146,704 bytes) 12/7/1999 6:00:00 AM
             Microsoft Corporation c:\winnt\system32\pdh.dll
smlogcfg.dll 5.00.2163.1 273.27 KB (279,824 bytes) 12/7/1999
6:00:00 AM Microsoft Corporation c:\winnt\system32\smlogcfg.dll
cabinet.dll 5.00.2147.1 54.77 KB (56,080 bytes) 12/7/1999 6:00:00 AM
             Microsoft Corporation c:\winnt\system32\cabinet.dll
msinfo32.dll 5.00.2177.1 312.27 KB (319,760 bytes) 1/9/2002
11:24:25 AM Microsoft Corporation c:\program files\common
files\microsoft shared\msinfo\msinfo32.dll
ntmsmgr.dll 1,0,0,1 427.77 KB (438,032 bytes) 12/7/1999 6:00:00 AM
             Microsoft Corporation and HighGround Systems, Inc.
             c:\winnt\system32\ntmsmgr.dll
mmfutil.dll 1.50.1085.0000 32.06 KB (32,829 bytes) 12/7/1999 6:00:00 AM
             Microsoft Corporation c:\winnt\system32\mmfutil.dll
logdrive.dll 1.50.1085.0000 200.06 KB (204,863 bytes)
12/7/1999 6:00:00 AM Microsoft Corporation
             c:\winnt\system32\logdrive.dll
dfrgres.dll 5.00.2150.1 27.50 KB (28,160 bytes) 12/7/1999 6:00:00 AM
             Executive Software International, Inc.
             c:\winnt\system32\dfrgres.dll
dfrgsnap.dll 5.00.2150.1 41.77 KB (42,768 bytes) 12/7/1999 6:00:00 AM
             Executive Software International, Inc.
             c:\winnt\system32\dfrgsnap.dll
```


Appendix C – Tunable Parameters

dmdskres.dll 2191.1.296.2 119.00 KB (121,856 bytes)
12/7/1999 6:00:00 AM Microsoft Corp., VERITAS Software
c:\winnt\system32\dmdskres.dll

dmutil.dll 2191.1.296.2 41.77 KB (42,768 bytes) 12/7/1999 6:00:00
AM VERITAS Software Corp. c:\winnt\system32\dmutil.dll

ntmsapi.dll 5.00.1948.1 50.27 KB (51,472 bytes) 12/7/1999 6:00:00 AM
Microsoft Corporation c:\winnt\system32\ntmsapi.dll

dmdskmgr.dll 2191.1.296.2 158.77 KB (162,576 bytes)
12/7/1999 6:00:00 AM Microsoft Corp., VERITAS Software
c:\winnt\system32\dmdskmgr.dll

mycomput.dll 5.00.2134.1 107.77 KB (110,352 bytes) 12/7/1999
6:00:00 AM Microsoft Corporation c:\winnt\system32\mycomput.dll

mlang.dll 5.00.2920.0000 510.77 KB (523,024 bytes) 12/7/1999
6:00:00 AM Microsoft Corporation c:\winnt\system32\mlang.dll

riched20.dll 5.30.23.1200 421.27 KB (431,376 bytes)
12/7/1999 6:00:00 AM Microsoft Corporation
c:\winnt\system32\riched20.dll

riched32.dll 5.00.2134.1 3.77 KB (3,856 bytes) 12/7/1999 6:00:00
AM Microsoft Corporation c:\winnt\system32\riched32.dll

els.dll 5.00.2175.1 151.27 KB (154,896 bytes) 12/7/1999 6:00:00
AM Microsoft Corporation c:\winnt\system32\els.dll

mmcndmgr.dll 5.00.2178.1 815.27 KB (834,832 bytes) 12/7/1999
6:00:00 AM Microsoft Corporation c:\winnt\system32\mmcndmgr.dll

mmc.exe 5.00.2153.1 589.27 KB (603,408 bytes) 12/7/1999 6:00:00
AM Microsoft Corporation c:\winnt\system32\mmc.exe

tapisrv.dll 5.00.2186.1 168.77 KB (172,816 bytes) 12/7/1999 6:00:00
AM Microsoft Corporation c:\winnt\system32\tapisrv.dll

msonsext.dll 9.0.3503 548.06 KB (561,210 bytes) 11/3/1999
4:38:34 PM Microsoft Corporation
c:\progra~1\common~1\micro~1\webfol~1\msonsext.dll

wzshlstb.dll 3.0 (32-bit) 24.07 KB (24,644 bytes) 11/22/2000
7:00:00 AM WinZip Computing, Inc. c:\progra~1\winzip\wzshlstb.dll

diskcopy.dll 5.00.2134.1 15.77 KB (16,144 bytes) 12/7/1999 6:00:00
AM Microsoft Corporation c:\winnt\system32\diskcopy.dll

shdoclc.dll 5.00.2920.0000 324.50 KB (332,288 bytes) 12/7/1999
6:00:00 AM Microsoft Corporation c:\winnt\system32\shdoclc.dll

mfc42u.dll 6.00.8665.0 972.05 KB (995,384 bytes) 12/7/1999 6:00:00
AM Microsoft Corporation c:\winnt\system32\mfc42u.dll

ccfapi32.dll 5.00.2134.1 48.77 KB (49,936 bytes) 12/7/1999 6:00:00
AM Microsoft Corporation c:\winnt\system32\ccfapi32.dll

llsrpc.dll 5.00.2149.1 45.77 KB (46,864 bytes) 12/7/1999 6:00:00 AM
Microsoft Corporation c:\winnt\system32\llsrpc.dll

liccpa.cpl 5.00.2134.1 52.27 KB (53,520 bytes) 12/7/1999 6:00:00 AM
Microsoft Corporation c:\winnt\system32\liccpa.cpl

powercfg.cpl 5.00.2920.0000 88.77 KB (90,896 bytes) 12/7/1999
6:00:00 AM Microsoft Corporation c:\winnt\system32\powercfg.cpl

dsuiext.dll 5.00.2153.1 107.77 KB (110,352 bytes) 12/7/1999 6:00:00
AM Microsoft Corporation c:\winnt\system32\dsuiext.dll

comdlg32.dll 5.00.2920.0000 236.77 KB (242,448 bytes)
12/7/1999 6:00:00 AM Microsoft Corporation
c:\winnt\system32\comdlg32.dll

dsquery.dll 5.00.2138.1 153.27 KB (156,944 bytes) 12/7/1999 6:00:00
AM Microsoft Corporation c:\winnt\system32\dsquery.dll

urlmon.dll 5.00.2920.0000 426.77 KB (437,008 bytes) 12/7/1999
6:00:00 AM Microsoft Corporation c:\winnt\system32\urlmon.dll

Appendix C – Tunable Parameters

```
faxshell.dll      5.00.2134.1 8.27 KB (8,464 bytes) 12/7/1999 6:00:00
AM Microsoft Corporation c:\winnt\system32\faxshell.dll
msacm32.dll 5.00.2134.1 65.27 KB (66,832 bytes) 12/7/1999 6:00:00 AM
Microsoft Corporation c:\winnt\system32\msacm32.dll
avifil32.dll      5.00.2134.1 76.27 KB (78,096 bytes) 12/7/1999 6:00:00
AM Microsoft Corporation c:\winnt\system32\avifil32.dll
msvfw32.dll 5.00.2134.1 113.77 KB (116,496 bytes) 12/7/1999 6:00:00
AM Microsoft Corporation c:\winnt\system32\msvfw32.dll
docprop2.dll      5.00.2178.1 297.77 KB (304,912 bytes) 12/7/1999
6:00:00 AM Microsoft Corporation c:\winnt\system32\docprop2.dll
browserlc.dll      5.00.2920.0000 34.50 KB (35,328 bytes) 12/7/1999
6:00:00 AM Microsoft Corporation c:\winnt\system32\browserlc.dll
mydocs.dll 5.00.2920.0000 55.77 KB (57,104 bytes) 12/7/1999 6:00:00
AM Microsoft Corporation c:\winnt\system32\mydocs.dll
wininet.dll 5.00.2920.0000 456.77 KB (467,728 bytes) 12/7/1999
6:00:00 AM Microsoft Corporation c:\winnt\system32\wininet.dll
ntshrui.dll 5.00.2134.1 46.77 KB (47,888 bytes) 12/7/1999 6:00:00 AM
Microsoft Corporation c:\winnt\system32\ntshrui.dll
linkinfo.dll      5.00.2134.1 15.77 KB (16,144 bytes) 12/7/1999 6:00:00
AM Microsoft Corporation c:\winnt\system32\linkinfo.dll
powrprof.dll      5.00.2920.0000 13.27 KB (13,584 bytes) 12/7/1999
6:00:00 AM Microsoft Corporation c:\winnt\system32\powrprof.dll
batmeter.dll      5.00.2920.0000 20.27 KB (20,752 bytes) 12/7/1999
6:00:00 AM Microsoft Corporation c:\winnt\system32\batmeter.dll
stobject.dll      5.00.2144.1 81.77 KB (83,728 bytes) 12/7/1999 6:00:00
AM Microsoft Corporation c:\winnt\system32\stobject.dll
webcheck.dll      5.00.2920.0000 251.77 KB (257,808 bytes)
12/7/1999 6:00:00 AM Microsoft Corporation
c:\winnt\system32\webcheck.dll
browseui.dll      5.00.2920.0000 793.27 KB (812,304 bytes)
12/7/1999 6:00:00 AM Microsoft Corporation
c:\winnt\system32\browseui.dll
explorer.exe      5.00.2920.0000 232.77 KB (238,352 bytes)
12/7/1999 6:00:00 AM Microsoft Corporation
c:\winnt\explorer.exe
dfssvc.exe 5.00.2191.1 85.27 KB (87,312 bytes) 12/7/1999 6:00:00 AM
Microsoft Corporation c:\winnt\system32\dfssvc.exe
gamevlog.exe      Not Available 186.85 KB (191,330 bytes)
1/9/2002 2:47:01 PM Not Available
c:\winnt\system32\gamserv\gamevlog.exe
gameevent.exe      Not Available 88.71 KB (90,834 bytes) 1/9/2002
2:47:01 PM Not Available c:\winnt\system32\gamserv\gameevent.exe
gamserv.exe Not Available 126.70 KB (129,745 bytes) 1/9/2002
2:47:01 PM Not Available c:\winnt\system32\gamserv\gamserv.exe
netuil.dll 5.00.2134.1 210.27 KB (215,312 bytes) 12/7/1999 6:00:00
AM Microsoft Corporation c:\winnt\system32\netuil.dll
netui0.dll 5.00.2134.1 70.27 KB (71,952 bytes) 12/7/1999 6:00:00 AM
Microsoft Corporation c:\winnt\system32\netui0.dll
ntlanman.dll      5.00.2157.1 35.27 KB (36,112 bytes) 12/7/1999 6:00:00
AM Microsoft Corporation c:\winnt\system32\ntlanman.dll
perfos.dll 5.00.2155.1 21.27 KB (21,776 bytes) 12/7/1999 6:00:00 AM
Microsoft Corporation c:\winnt\system32\perfos.dll
shdocvw.dll 5.00.2920.0000 1.05 MB (1,104,144 bytes) 12/7/1999
6:00:00 AM Microsoft Corporation c:\winnt\system32\shdocvw.dll
```

Appendix C – Tunable Parameters

```
mfc42.dll 6.00.8665.0 972.05 KB (995,383 bytes) 12/7/1999 6:00:00 AM
Microsoft Corporation c:\winnt\system32\mfc42.dll
ieinfo5.ocx 5.00.2134.1 96.27 KB (98,576 bytes) 1/9/2002 11:24:07 AM
Microsoft Corporation
c:\progra~1\common~1\microso~1\msinfo\ieinfo5.ocx
wshnetbs.dll 5.00.2134.1 7.77 KB (7,952 bytes) 12/7/1999 6:00:00 AM
Microsoft Corporation c:\winnt\system32\wshnetbs.dll
rapilib.dll 5.00.2167.1 25.27 KB (25,872 bytes) 12/7/1999 6:00:00 AM
Microsoft Corporation c:\winnt\system32\rapilib.dll
rsvpsp.dll 5.00.2167.1 74.77 KB (76,560 bytes) 12/7/1999 6:00:00 AM
Microsoft Corporation c:\winnt\system32\rsvpsp.dll
ntmarta.dll 5.00.2158.1 98.77 KB (101,136 bytes) 12/7/1999 6:00:00 AM
Microsoft Corporation c:\winnt\system32\ntmarta.dll
provthrd.dll 1.50.1085.0000 68.07 KB (69,708 bytes) 1/9/2002
11:24:18 AM Microsoft Corporation c:\winnt\system32\wbem\provthrd.dll
ntevt.dll 1.50.1085.0000 192.06 KB (196,669 bytes) 12/7/1999
6:00:00 AM Microsoft Corporation c:\winnt\system32\wbem\ntevt.dll
psapi.dll 5.00.2134.1 28.27 KB (28,944 bytes) 12/7/1999 6:00:00 AM
Microsoft Corporation c:\winnt\system32\psapi.dll
framedyn.dll 1.50.1085.0000 164.05 KB (167,992 bytes)
12/7/1999 6:00:00 AM Microsoft Corporation
c:\winnt\system32\wbem\framedyn.dll
cimwin32.dll 1.50.1085.0000 1.03 MB (1,077,306 bytes)
12/7/1999 6:00:00 AM Microsoft Corporation
c:\winnt\system32\wbem\cimwin32.dll
wbemsvc.dll 1.50.1085.0000 140.07 KB (143,430 bytes) 12/7/1999
6:00:00 AM Microsoft Corporation c:\winnt\system32\wbem\wbemsvc.dll
wbemess.dll 1.50.1085.0001 352.05 KB (360,503 bytes) 12/7/1999
6:00:00 AM Microsoft Corporation c:\winnt\system32\wbem\wbemess.dll
fastprox.dll 1.50.1085.0001 144.08 KB (147,534 bytes)
12/7/1999 6:00:00 AM Microsoft Corporation
c:\winnt\system32\wbem\fastprox.dll
wbemcore.dll 1.50.1085.0001 632.05 KB (647,224 bytes)
12/7/1999 6:00:00 AM Microsoft Corporation
c:\winnt\system32\wbem\wbemcore.dll
wbemcomn.dll 1.50.1085.0001 684.05 KB (700,472 bytes)
12/7/1999 6:00:00 AM Microsoft Corporation
c:\winnt\system32\wbem\wbemcomn.dll
winmgmt.exe 1.50.1085.0001 188.05 KB (192,567 bytes) 12/7/1999
6:00:00 AM Microsoft Corporation c:\winnt\system32\wbem\winmgmt.exe
gamscm.exe Not Available 119.28 KB (122,144 bytes) 1/9/2002
2:47:01 PM Not Available c:\winnt\system32\gamserv\gamscm.exe
ntmsdba.dll 5.00.2187.1 167.77 KB (171,792 bytes) 12/7/1999 6:00:00 AM
Microsoft Corporation c:\winnt\system32\ntmsdba.dll
rasdlg.dll 5.00.2194.1 514.27 KB (526,608 bytes) 12/7/1999 6:00:00 AM
Microsoft Corporation c:\winnt\system32\rasdlg.dll
netcfgx.dll 5.00.2175.1 533.77 KB (546,576 bytes) 12/7/1999 6:00:00 AM
Microsoft Corporation c:\winnt\system32\netcfgx.dll
rasmans.dll 5.00.2188.1 146.77 KB (150,288 bytes) 12/7/1999 6:00:00 AM
Microsoft Corporation c:\winnt\system32\rasmans.dll
wmi.dll 5.00.2191.1 6.27 KB (6,416 bytes) 12/7/1999 6:00:00 AM
Microsoft Corporation c:\winnt\system32\wmi.dll
netshell.dll 5.00.2176.1 456.77 KB (467,728 bytes) 12/7/1999
6:00:00 AM Microsoft Corporation c:\winnt\system32\netshell.dll
```

Appendix C – Tunable Parameters

```
netman.dll 5.00.2175.1 88.77 KB (90,896 bytes) 12/7/1999 6:00:00 AM
Microsoft Corporation c:\winnt\system32\netman.dll
sens.dll 5.00.2163.1 36.77 KB (37,648 bytes) 12/7/1999 6:00:00 AM
Microsoft Corporation c:\winnt\system32\sens.dll
ntmssvc.dll 5.00.2187.1 390.77 KB (400,144 bytes) 12/7/1999 6:00:00
AM Microsoft Corporation c:\winnt\system32\ntmssvc.dll
es.dll 1999.9.3422.21 231.77 KB (237,328 bytes) 12/7/1999
6:00:00 AM Microsoft Corporation c:\winnt\system32\es.dll
mtxoci.dll 1999.9.3421.3 109.27 KB (111,888 bytes) 1/9/2002
5:22:37 AM Microsoft Corporation c:\winnt\system32\mtxoci.dll
resutils.dll 5.00.2191.1 39.77 KB (40,720 bytes) 12/7/1999 6:00:00
AM Microsoft Corporation c:\winnt\system32\resutils.dll
clusapi.dll 5.00.2179.1 50.27 KB (51,472 bytes) 12/7/1999 6:00:00 AM
Microsoft Corporation c:\winnt\system32\clusapi.dll
msvcpx50.dll 5.00.7051 552.50 KB (565,760 bytes) 12/7/1999 6:00:00
AM Microsoft Corporation c:\winnt\system32\msvcpx50.dll
xolehlp.dll 1999.9.3421.3 17.27 KB (17,680 bytes) 1/9/2002 5:22:37
AM Microsoft Corporation c:\winnt\system32\xolehlp.dll
msdtclog.dll 1999.9.3421.3 89.77 KB (91,920 bytes) 1/9/2002
5:22:36 AM Microsoft Corporation c:\winnt\system32\msdtclog.dll
mtxclu.dll 1999.9.3421.3 50.27 KB (51,472 bytes) 12/7/1999 6:00:00
AM Microsoft Corporation c:\winnt\system32\mtxclu.dll
msdtcprx.dll 1999.9.3422.10 619.27 KB (634,128 bytes)
1/9/2002 5:22:37 AM Microsoft Corporation
c:\winnt\system32\msdtcprx.dll
txfaux.dll 1999.9.3422.24 341.27 KB (349,456 bytes) 1/9/2002
5:22:36 AM Microsoft Corporation c:\winnt\system32\txfaux.dll
msdtctm.dll 1999.9.3422.12 1.02 MB (1,070,864 bytes) 1/9/2002
5:22:37 AM Microsoft Corporation c:\winnt\system32\msdtctm.dll
msdtc.exe 1999.9.3421.3 6.77 KB (6,928 bytes) 1/9/2002 5:22:36
AM Microsoft Corporation c:\winnt\system32\msdtc.exe
rasadhlp.dll 5.00.2168.1 7.27 KB (7,440 bytes) 12/7/1999 6:00:00
AM Microsoft Corporation c:\winnt\system32\rasadhlp.dll
winrnr.dll 5.00.2160.1 18.77 KB (19,216 bytes) 12/7/1999 6:00:00 AM
Microsoft Corporation c:\winnt\system32\winrnr.dll
rnr20.dll 5.00.2152.1 35.77 KB (36,624 bytes) 12/7/1999 6:00:00 AM
Microsoft Corporation c:\winnt\system32\rnr20.dll
rpcss.dll 5.00.2181.1 229.27 KB (234,768 bytes) 12/7/1999 6:00:00
AM Microsoft Corporation c:\winnt\system32\rpcss.dll
svchost.exe 5.00.2134.1 7.77 KB (7,952 bytes) 12/7/1999 6:00:00 AM
Microsoft Corporation c:\winnt\system32\svchost.exe
dssbase.dll 5.00.2150.1 140.77 KB (144,144 bytes) 12/7/1999 6:00:00
AM Microsoft Corporation c:\winnt\system32\dssbase.dll
scecli.dll 5.00.2191.1 105.27 KB (107,792 bytes) 12/7/1999 6:00:00
AM Microsoft Corporation c:\winnt\system32\scecli.dll
atl.dll 3.00.8449 57.56 KB (58,938 bytes) 12/7/1999 6:00:00 AM
Microsoft Corporation c:\winnt\system32\atl.dll
certcli.dll 5.00.2175.1 132.27 KB (135,440 bytes) 12/7/1999 6:00:00
AM Microsoft Corporation c:\winnt\system32\certcli.dll
mswsock.dll 5.00.2152.1 62.27 KB (63,760 bytes) 12/7/1999 6:00:00 AM
Microsoft Corporation c:\winnt\system32\mswsock.dll
ntdsatq.dll 5.00.2181.1 31.27 KB (32,016 bytes) 12/7/1999 6:00:00 AM
Microsoft Corporation c:\winnt\system32\ntdsatq.dll
ntdsa.dll 5.00.2195.1 993.27 KB (1,017,104 bytes) 12/7/1999 6:00:00
AM Microsoft Corporation c:\winnt\system32\ntdsa.dll
```

Appendix C – Tunable Parameters

kdcsvc.dll 5.00.2181.1 133.77 KB (136,976 bytes) 12/7/1999 6:00:00 AM
Microsoft Corporation c:\winnt\system32\kdcsvc.dll
sfmapi.dll 5.00.2134.1 38.77 KB (39,696 bytes) 12/7/1999 6:00:00 AM
Microsoft Corporation c:\winnt\system32\sfmapi.dll
rassfm.dll 5.00.2168.1 21.27 KB (21,776 bytes) 12/7/1999 6:00:00 AM
Microsoft Corporation c:\winnt\system32\rassfm.dll
mpr.dll 5.00.2146.1 53.27 KB (54,544 bytes) 12/7/1999 6:00:00 AM
Microsoft Corporation c:\winnt\system32\mpr.dll
schannel.dll 5.00.2170.1 139.77 KB (143,120 bytes) 12/7/1999 6:00:00 AM
Microsoft Corporation c:\winnt\system32\schannel.dll
netlogon.dll 5.00.2182.1 347.77 KB (356,112 bytes) 12/7/1999 6:00:00 AM
Microsoft Corporation c:\winnt\system32\netlogon.dll
msvl_0.dll 5.00.2164.1 94.77 KB (97,040 bytes) 12/7/1999 6:00:00 AM
Microsoft Corporation c:\winnt\system32\msvl_0.dll
kerberos.dll 5.00.2181.1 196.77 KB (201,488 bytes) 12/7/1999 6:00:00 AM
Microsoft Corporation c:\winnt\system32\kerberos.dll
msprivs.dll 5.00.2154.1 41.50 KB (42,496 bytes) 12/7/1999 6:00:00 AM
Microsoft Corporation c:\winnt\system32\msprivs.dll
samsrv.dll 5.00.2192.1 357.77 KB (366,352 bytes) 12/7/1999 6:00:00 AM
Microsoft Corporation c:\winnt\system32\samsrv.dll
lsasrv.dll 5.00.2184.1 487.77 KB (499,472 bytes) 12/7/1999 6:00:00 AM
Microsoft Corporation c:\winnt\system32\lsasrv.dll
lsass.exe 5.00.2184.1 32.77 KB (33,552 bytes) 12/7/1999 6:00:00 AM
Microsoft Corporation c:\winnt\system32\lsass.exe
msi.dll 1.10.1029.0 1.71 MB (1,794,320 bytes) 12/7/1999 6:00:00 AM
Microsoft Corporation c:\winnt\system32\msi.dll
appmgmts.dll 5.00.2168.1 117.77 KB (120,592 bytes) 12/7/1999 6:00:00 AM
Microsoft Corporation c:\winnt\system32\appmgmts.dll
esent.dll 6.0.3939.6 1.07 MB (1,120,016 bytes) 12/7/1999 6:00:00 AM
Microsoft Corporation c:\winnt\system32\esent.dll
wmicore.dll 5.00.2178.1 70.77 KB (72,464 bytes) 12/7/1999 6:00:00 AM
Microsoft Corporation c:\winnt\system32\wmicore.dll
wshtcpip.dll 5.00.2134.1 17.27 KB (17,680 bytes) 12/7/1999 6:00:00 AM
Microsoft Corporation c:\winnt\system32\wshtcpip.dll
msafd.dll 5.00.2153.1 54.27 KB (55,568 bytes) 12/7/1999 6:00:00 AM
Microsoft Corporation c:\winnt\system32\msafd.dll
psbase.dll 5.00.2146.1 111.77 KB (114,448 bytes) 12/7/1999 6:00:00 AM
Microsoft Corporation c:\winnt\system32\psbase.dll
trkwks.dll 5.00.2166.1 88.77 KB (90,896 bytes) 12/7/1999 6:00:00 AM
Microsoft Corporation c:\winnt\system32\trkwks.dll
cryptsvc.dll 5.00.2181.1 61.77 KB (63,248 bytes) 12/7/1999 6:00:00 AM
Microsoft Corporation c:\winnt\system32\cryptsvc.dll
cryptdll.dll 5.00.2135.1 41.27 KB (42,256 bytes) 12/7/1999 6:00:00 AM
Microsoft Corporation c:\winnt\system32\cryptdll.dll
wkssvc.dll 5.00.2181.1 95.27 KB (97,552 bytes) 12/7/1999 6:00:00 AM
Microsoft Corporation c:\winnt\system32\wkssvc.dll
srvsvc.dll 5.00.2178.1 79.27 KB (81,168 bytes) 12/7/1999 6:00:00 AM
Microsoft Corporation c:\winnt\system32\srvsvc.dll
cfgmgr32.dll 5.00.2134.1 16.77 KB (17,168 bytes) 12/7/1999 6:00:00 AM
Microsoft Corporation c:\winnt\system32\cfgmgr32.dll
dmserver.dll 2191.1.296.2 11.77 KB (12,048 bytes) 12/7/1999 6:00:00 AM
VERITAS Software Corp. c:\winnt\system32\dmserver.dll
winsta.dll 5.00.2134.1 36.27 KB (37,136 bytes) 12/7/1999 6:00:00 AM
Microsoft Corporation c:\winnt\system32\winsta.dll

Appendix C – Tunable Parameters

dhcpcsvc.dll 5.00.2153.1 88.77 KB (90,896 bytes) 12/7/1999 6:00:00 AM Microsoft Corporation c:\winnt\system32\dhcpcsvc.dll
tapi32.dll 5.00.2182.1 123.27 KB (126,224 bytes) 12/7/1999 6:00:00 AM Microsoft Corporation c:\winnt\system32\tapi32.dll
rasman.dll 5.00.2188.1 54.77 KB (56,080 bytes) 12/7/1999 6:00:00 AM Microsoft Corporation c:\winnt\system32\rasman.dll
rasapi32.dll 5.00.2188.1 189.77 KB (194,320 bytes) 12/7/1999 6:00:00 AM Microsoft Corporation c:\winnt\system32\rasapi32.dll
rtutils.dll 5.00.2168.1 43.77 KB (44,816 bytes) 12/7/1999 6:00:00 AM Microsoft Corporation c:\winnt\system32\rtutils.dll
adslrpc.dll 5.00.2172.1 127.77 KB (130,832 bytes) 12/7/1999 6:00:00 AM Microsoft Corporation c:\winnt\system32\adslrpc.dll
activeds.dll 5.00.2172.1 172.77 KB (176,912 bytes) 12/7/1999 6:00:00 AM Microsoft Corporation c:\winnt\system32\activeds.dll
mprapi.dll 5.00.2181.1 79.27 KB (81,168 bytes) 12/7/1999 6:00:00 AM Microsoft Corporation c:\winnt\system32\mprapi.dll
iphlpapi.dll 5.00.2173.2 67.77 KB (69,392 bytes) 12/7/1999 6:00:00 AM Microsoft Corporation c:\winnt\system32\iphlpapi.dll
icmp.dll 5.00.2134.1 7.27 KB (7,440 bytes) 12/7/1999 6:00:00 AM Microsoft Corporation c:\winnt\system32\icmp.dll
lmhsvc.dll 5.00.2134.1 9.27 KB (9,488 bytes) 12/7/1999 6:00:00 AM Microsoft Corporation c:\winnt\system32\lmhsvc.dll
dnssrslvr.dll 5.00.2181.1 88.27 KB (90,384 bytes) 12/7/1999 6:00:00 AM Microsoft Corporation c:\winnt\system32\dnssrslvr.dll
eventlog.dll 5.00.2178.1 43.77 KB (44,816 bytes) 12/7/1999 6:00:00 AM Microsoft Corporation c:\winnt\system32\eventlog.dll
ntdsapi.dll 5.00.2160.1 56.27 KB (57,616 bytes) 12/7/1999 6:00:00 AM Microsoft Corporation c:\winnt\system32\ntdsapi.dll
scserv.dll 5.00.2188.1 225.77 KB (231,184 bytes) 12/7/1999 6:00:00 AM Microsoft Corporation c:\winnt\system32\scserv.dll
umpnpgmgr.dll 5.00.2182.1 86.27 KB (88,336 bytes) 12/7/1999 6:00:00 AM Microsoft Corporation c:\winnt\system32\umpnpgmgr.dll
services.exe 5.00.2134.1 86.77 KB (88,848 bytes) 12/7/1999 6:00:00 AM Microsoft Corporation c:\winnt\system32\services.exe
clbcatq.dll 1999.9.3422.14 479.27 KB (490,768 bytes) 1/9/2002 5:22:31 AM Microsoft Corporation c:\winnt\system32\clbcatq.dll
oleaut32.dll 2.40.4512 600.27 KB (614,672 bytes) 12/7/1999 6:00:00 AM Microsoft Corporation c:\winnt\system32\oleaut32.dll
cscui.dll 5.00.2172.1 227.27 KB (232,720 bytes) 12/7/1999 6:00:00 AM Microsoft Corporation c:\winnt\system32\cscui.dll
winspool.drv 5.00.2167.1 109.77 KB (112,400 bytes) 12/7/1999 6:00:00 AM Microsoft Corporation c:\winnt\system32\winspool.drv
wincard.dll 5.00.2134.1 77.27 KB (79,120 bytes) 12/7/1999 6:00:00 AM Microsoft Corporation c:\winnt\system32\wincard.dll
wlnotify.dll 5.00.2164.1 53.27 KB (54,544 bytes) 12/7/1999 6:00:00 AM Microsoft Corporation c:\winnt\system32\wlnotify.dll
cscdll.dll 5.00.2189.1 98.27 KB (100,624 bytes) 12/7/1999 6:00:00 AM Microsoft Corporation c:\winnt\system32\cscdll.dll
lz32.dll 5.00.2134.1 9.77 KB (10,000 bytes) 12/7/1999 6:00:00 AM Microsoft Corporation c:\winnt\system32\lz32.dll
version.dll 5.00.2134.1 15.77 KB (16,144 bytes) 12/7/1999 6:00:00 AM Microsoft Corporation c:\winnt\system32\version.dll
rsabase.dll 5.00.2150.1 128.77 KB (131,856 bytes) 12/7/1999 6:00:00 AM Microsoft Corporation c:\winnt\system32\rsabase.dll

Appendix C – Tunable Parameters

mscat32.dll 5.131.2134.1 7.77 KB (7,952 bytes) 12/7/1999 6:00:00 AM Microsoft Corporation c:\winnt\system32\mscat32.dll
ole32.dll 5.00.2181.1 966.27 KB (989,456 bytes) 12/7/1999 6:00:00 AM Microsoft Corporation c:\winnt\system32\ole32.dll
imagehlp.dll 5.00.2195.1 125.27 KB (128,272 bytes) 12/7/1999 6:00:00 AM Microsoft Corporation c:\winnt\system32\imagehlp.dll
msasn1.dll 5.00.2134.1 51.27 KB (52,496 bytes) 12/7/1999 6:00:00 AM Microsoft Corporation c:\winnt\system32\msasn1.dll
crypt32.dll 5.131.2173.1 465.77 KB (476,944 bytes) 12/7/1999 6:00:00 AM Microsoft Corporation c:\winnt\system32\crypt32.dll
wintrust.dll 5.131.2143.1 162.27 KB (166,160 bytes) 12/7/1999 6:00:00 AM Microsoft Corporation c:\winnt\system32\wintrust.dll
setupapi.dll 5.00.2183.1 554.27 KB (567,568 bytes) 12/7/1999 6:00:00 AM Microsoft Corporation c:\winnt\system32\setupapi.dll
winmm.dll 5.00.2161.1 184.77 KB (189,200 bytes) 12/7/1999 6:00:00 AM Microsoft Corporation c:\winnt\system32\winmm.dll
comctl32.dll 5.81 540.27 KB (553,232 bytes) 12/7/1999 6:00:00 AM Microsoft Corporation c:\winnt\system32\comctl32.dll
shlwapi.dll 5.00.2920.0000 282.77 KB (289,552 bytes) 12/7/1999 6:00:00 AM Microsoft Corporation c:\winnt\system32\shlwapi.dll
shell32.dll 5.00.2920.0000 2.24 MB (2,352,400 bytes) 12/7/1999 6:00:00 AM Microsoft Corporation c:\winnt\system32\shell32.dll
msgina.dll 5.00.2191.1 309.77 KB (317,200 bytes) 12/7/1999 6:00:00 AM Microsoft Corporation c:\winnt\system32\msgina.dll
wsock32.dll 5.00.2152.1 21.27 KB (21,776 bytes) 12/7/1999 6:00:00 AM Microsoft Corporation c:\winnt\system32\wsock32.dll
dnsapi.dll 5.00.2181.1 129.77 KB (132,880 bytes) 12/7/1999 6:00:00 AM Microsoft Corporation c:\winnt\system32\dnsapi.dll
wldap32.dll 5.00.2168.1 155.77 KB (159,504 bytes) 12/7/1999 6:00:00 AM Microsoft Corporation c:\winnt\system32\wldap32.dll
ws2help.dll 5.00.2134.1 17.77 KB (18,192 bytes) 12/7/1999 6:00:00 AM Microsoft Corporation c:\winnt\system32\ws2help.dll
ws2_32.dll 5.00.2134.1 69.77 KB (71,440 bytes) 12/7/1999 6:00:00 AM Microsoft Corporation c:\winnt\system32\ws2_32.dll
samlib.dll 5.00.2160.1 46.27 KB (47,376 bytes) 12/7/1999 6:00:00 AM Microsoft Corporation c:\winnt\system32\samlib.dll
netrap.dll 5.00.2134.1 11.27 KB (11,536 bytes) 12/7/1999 6:00:00 AM Microsoft Corporation c:\winnt\system32\netrap.dll
netapi32.dll 5.00.2194.1 302.77 KB (310,032 bytes) 12/7/1999 6:00:00 AM Microsoft Corporation c:\winnt\system32\netapi32.dll
profmap.dll 5.00.2181.1 29.27 KB (29,968 bytes) 12/7/1999 6:00:00 AM Microsoft Corporation c:\winnt\system32\profmap.dll
secur32.dll 5.00.2154.1 46.77 KB (47,888 bytes) 12/7/1999 6:00:00 AM Microsoft Corporation c:\winnt\system32\secur32.dll
sfc.dll 5.00.2164.1 84.27 KB (86,288 bytes) 12/7/1999 6:00:00 AM Microsoft Corporation c:\winnt\system32\sfc.dll
nddeapi.dll 5.00.2137.1 15.27 KB (15,632 bytes) 12/7/1999 6:00:00 AM Microsoft Corporation c:\winnt\system32\nddeapi.dll
userenv.dll 5.00.2185.1 361.27 KB (369,936 bytes) 12/7/1999 6:00:00 AM Microsoft Corporation c:\winnt\system32\userenv.dll
user32.dll 5.00.2180.1 393.27 KB (402,704 bytes) 12/7/1999 6:00:00 AM Microsoft Corporation c:\winnt\system32\user32.dll
gdi32.dll 5.00.2180.1 228.77 KB (234,256 bytes) 12/7/1999 6:00:00 AM Microsoft Corporation c:\winnt\system32\gdi32.dll

Appendix C – Tunable Parameters

```

rpcrt4.dll 5.00.2193.1 434.27 KB (444,688 bytes) 12/7/1999 6:00:00
AM Microsoft Corporation c:\winnt\system32\rpcrt4.dll
advapi32.dll 5.00.2191.1 349.27 KB (357,648 bytes) 12/7/1999
6:00:00 AM Microsoft Corporation c:\winnt\system32\advapi32.dll
kernel32.dll 5.00.2191.1 715.27 KB (732,432 bytes) 12/7/1999
6:00:00 AM Microsoft Corporation c:\winnt\system32\kernel32.dll
msvcrt.dll 6.10.8637.0 288.09 KB (295,000 bytes) 12/7/1999 6:00:00
AM Microsoft Corporation c:\winnt\system32\msvcrt.dll
winlogon.exe 5.00.2182.1 173.27 KB (177,424 bytes) 12/7/1999
6:00:00 AM Microsoft Corporation c:\winnt\system32\winlogon.exe
sfcfiles.dll 5.00.2195.1 973.27 KB (996,624 bytes) 12/7/1999
6:00:00 AM Microsoft Corporation c:\winnt\system32\sfcfiles.dll
ntdll.dll 5.00.2163.1 469.77 KB (481,040 bytes) 12/7/1999 6:00:00
AM Microsoft Corporation c:\winnt\system32\ntdll.dll
smss.exe 5.00.2170.1 44.27 KB (45,328 bytes) 12/7/1999 6:00:00 AM
Microsoft Corporation c:\winnt\system32\smss.exe

```

[Services]

Display Name	Name	State	Start Mode	Service Type	Path	Error Control
Alerter	Alerter	Stopped	Manual	Share Process	c:\winnt\system32\services.exe	Normal LocalSystem 0
Application Management Process	AppMgmt	Running	Manual	Share	c:\winnt\system32\services.exe	Normal LocalSystem 0
Computer Browser	Browser	Stopped	Manual	Share Process	c:\winnt\system32\services.exe	Normal LocalSystem 0
Indexing Service	cisvc	Stopped	Manual	Share Process	c:\winnt\system32\cisvc.exe	Normal LocalSystem 0
ClipBook	ClipSrv	Stopped	Manual	Own Process	c:\winnt\system32\clipsrv.exe	Normal LocalSystem 0
Distributed File System	Dfs	Running	Auto	Own Process	c:\winnt\system32\dfssvc.exe	Normal LocalSystem 0
DHCP Client	Dhcp	Stopped	Manual	Share Process	c:\winnt\system32\services.exe	Normal LocalSystem 0
Logical Disk Manager	Administrative Service	Stopped	Manual	Share Process	c:\winnt\system32\dmadmin.exe	Normal LocalSystem 0
Logical Disk Manager	dmserver	Running	Auto	Share Process	c:\winnt\system32\services.exe	Normal LocalSystem 0
DNS Client	Dnscache	Running	Auto	Share Process	c:\winnt\system32\services.exe	Normal LocalSystem 0
Event Log	Eventlog	Running	Auto	Share Process	c:\winnt\system32\services.exe	Normal LocalSystem 0
COM+ Event System	EventSystem	Running	Manual	Share Process	c:\winnt\system32\svchost.exe	-k netsvcs Normal LocalSystem 0
Fax Service	Fax	Stopped	Manual	Own Process	c:\winnt\system32\faxsvc.exe	Normal LocalSystem 0
Mylex Global Array Manager Process	Server	Running	Manual	Own	c:\winnt\system32\gamserv\gamsvc.exe	Normal LocalSystem 0
Intersite Messaging	IsmServ	Stopped	Manual	Own Process	c:\winnt\system32\ismserv.exe	Normal LocalSystem 0

Appendix C – Tunable Parameters

```

Kerberos Key Distribution Center kdc Stopped Disabled Share
Process c:\winnt\system32\lsass.exe Normal LocalSystem 0
Server lanmanserver Running Auto Share Process
c:\winnt\system32\services.exe Normal LocalSystem 0
Workstation lanmanworkstation Running Auto Share Process
c:\winnt\system32\services.exe Normal LocalSystem 0
License Logging Service LicenseService Stopped Manual Own
Process c:\winnt\system32\llssrv.exe Normal LocalSystem 0
TCP/IP NetBIOS Helper Service LmHosts Running Auto Share
Process c:\winnt\system32\services.exe Normal LocalSystem
0
Messenger Messenger Stopped Manual Share Process
c:\winnt\system32\services.exe Normal LocalSystem 0
NetMeeting Remote Desktop Sharing mnmsrvc Stopped Manual
Own Process c:\winnt\system32\mnmsrvc.exe Normal LocalSystem
0
Distributed Transaction Coordinator MSDTC Running Auto Own Process
c:\winnt\system32\msdtc.exe Normal LocalSystem 0
Windows Installer MSIServer Stopped Manual Share Process
c:\winnt\system32\msiexec.exe /v Normal LocalSystem 0
MSSQLSERVER MSSQLSERVER Stopped Manual Own Process
c:\progra~1\microso~2\mssql\binn\sqlservr.exe Normal
LocalSystem 0
MSSQLServerADHelper MSSQLServerADHelper Stopped Manual
Own Process c:\program files\microsoft sql
server\80\tools\binn\sqladhlp.exe Normal LocalSystem 0
Network DDE NetDDE Stopped Manual Share Process
c:\winnt\system32\netdde.exe Normal LocalSystem 0
Network DDE DSDM NetDDEdsdm Stopped Manual Share Process
c:\winnt\system32\netdde.exe Normal LocalSystem 0
Net Logon Netlogon Stopped Manual Share Process
c:\winnt\system32\lsass.exe Normal LocalSystem 0
Network Connections Netman Running Manual Share
Process c:\winnt\system32\svchost.exe -k netsvcs Normal
LocalSystem 0
File Replication NtFrs Stopped Manual Own Process
c:\winnt\system32\ntfrs.exe Ignore LocalSystem 0
NT LM Security Support Provider NtLmSsp Stopped Manual
Share Process c:\winnt\system32\lsass.exe Normal
LocalSystem 0
Removable Storage NtmsSvc Running Auto Share Process
c:\winnt\system32\svchost.exe -k netsvcs Normal LocalSystem
0
Plug and Play PlugPlay Running Auto Share Process
c:\winnt\system32\services.exe Normal LocalSystem 0
IPSEC Policy Agent PolicyAgent Stopped Manual Share
Process c:\winnt\system32\lsass.exe Normal LocalSystem 0
Protected Storage ProtectedStorage Running Auto Share Process
c:\winnt\system32\services.exe Normal LocalSystem 0
Remote Access Auto Connection Manager RasAuto Stopped
Manual Share Process c:\winnt\system32\svchost.exe -k
netsvcs Normal LocalSystem 0
Remote Access Connection Manager RasMan Stopped Manual
Share Process c:\winnt\system32\svchost.exe -k netsvcs
Normal LocalSystem 0

```

Appendix C – Tunable Parameters

Routing and Remote Access	RemoteAccess	Stopped	Disabled	
Share Process	c:\winnt\system32\svchost.exe -k netsvcs			
Normal	LocalSystem 0			
Remote Registry Service	RemoteRegistry	Stopped	Manual	Own
Process	c:\winnt\system32\regsvc.exe	Normal	LocalSystem 0	
Remote Procedure Call (RPC) Locator	RpcLocator	Stopped	Manual	
Own Process	c:\winnt\system32\locator.exe	Normal	LocalSystem 0	
Remote Procedure Call (RPC)	RpcSs	Running	Auto	Share Process
	c:\winnt\system32\svchost -k rpcss	Normal	LocalSystem 0	
QoS RSVP	RSVP	Running	Manual	Own Process
	c:\winnt\system32\rsvp.exe -s	Normal	LocalSystem 0	
Security Accounts Manager	SamSs	Running	Auto	Share Process
	c:\winnt\system32\lsass.exe	Normal	LocalSystem 0	
Smart Card Helper	SCardDrv	Stopped	Manual	Share Process
	c:\winnt\system32\scardsvr.exe	Ignore	LocalSystem 0	
Smart Card	SCardSvr	Stopped	Manual	Share Process
	c:\winnt\system32\scardsvr.exe	Ignore	LocalSystem 0	
Task Scheduler	Schedule	Stopped	Manual	Share Process
	c:\winnt\system32\mstask.exe	Normal	LocalSystem 0	
RunAs Service	seclogon	Stopped	Manual	Share Process
	c:\winnt\system32\services.exe	Ignore	LocalSystem 0	
System Event Notification	SENS	Running	Auto	Share Process
	c:\winnt\system32\svchost.exe -k netsvcs	Normal	LocalSystem 0	
Internet Connection Sharing	SharedAccess	Stopped	Manual	
Share Process	c:\winnt\system32\svchost.exe -k netsvcs			
Normal	LocalSystem 0			
Print Spooler	Spooler	Stopped	Manual	Own Process
	c:\winnt\system32\spoolsv.exe	Normal	LocalSystem 0	
SQLSERVERAGENT	SQLSERVERAGENT	Stopped	Manual	Own Process
	c:\progra~1\microso~2\mssql\bin\sqlagent.exe	Normal	LocalSystem 0	
SSC Monitor	SSCMntr	Stopped	Manual	Own Process
	c:\winnt\system32\sscmntr.exe	Normal	LocalSystem 0	
Performance Logs and Alerts	SysmonLog	Stopped	Manual	Own
Process	c:\winnt\system32\smlogsvc.exe	Normal	LocalSystem 0	
Telephony	TapiSrv	Running	Manual	Share Process
	c:\winnt\system32\svchost.exe -k tapisrv	Normal	LocalSystem 0	
Terminal Services	TermService	Stopped	Disabled	Own Process
	c:\winnt\system32\termsrv.exe	Normal	LocalSystem 0	
Telnet	TlntSvr	Stopped	Manual	Own Process
	c:\winnt\system32\tlntsvr.exe	Normal	LocalSystem 0	
Distributed Link Tracking Server	TrkSvr	Stopped	Manual	
Share Process	c:\winnt\system32\services.exe	Normal	LocalSystem 0	
Distributed Link Tracking Client	TrkWks	Running	Auto	Share
Process	c:\winnt\system32\services.exe	Normal	LocalSystem 0	
Uninterruptible Power Supply	UPS	Stopped	Manual	Own Process
	c:\winnt\system32\ups.exe	Normal	LocalSystem 0	
Utility Manager	UtilMan	Stopped	Manual	Own Process
	c:\winnt\system32\utilman.exe	Normal	LocalSystem 0	

Appendix C – Tunable Parameters

```
Windows Time          W32Time          Stopped          Manual          Share Process
c:\winnt\system32\services.exe          Normal          LocalSystem 0
Windows Management Instrumentation WinMgmt          Running          Auto Own
Process          c:\winnt\system32\wbem\winmgmt.exe Ignore          LocalSystem
0
Windows Management Instrumentation Driver Extensions Wmi          Running
Manual          Share Process          c:\winnt\system32\services.exe
Normal          LocalSystem 0
```

[Program Groups]

```
Group Name Name User Name
Accessories Default User:Accessories          Default User
Accessories\Accessibility          Default User:Accessories\Accessibility
Default User
Accessories\Entertainment          Default User:Accessories\Entertainment
Default User
Accessories\System Tools          Default User:Accessories\System Tools
Default User
Startup          Default User:Startup          Default User
Accessories All Users:Accessories          All Users
Accessories\Accessibility          All Users:Accessories\Accessibility All
Users
Accessories\Communications          All Users:Accessories\Communications
All Users
Accessories\Entertainment          All Users:Accessories\Entertainment All
Users
Accessories\Games All Users:Accessories\Games          All Users
Accessories\System Tools          All Users:Accessories\System Tools All
Users
Administrative Tools          All Users:Administrative Tools          All Users
Intel VTune Performance Analyzer 5.0          All Users:Intel VTune
Performance Analyzer 5.0          All Users
Microsoft SQL Server          All Users:Microsoft SQL Server          All Users
SiSoftware Utilities          All Users:SiSoftware Utilities          All Users
Startup          All Users:Startup All Users
SuperSpeed software          All Users:SuperSpeed software All Users
SuperSpeed software\C_WINNT          All Users:SuperSpeed software\C_WINNT
All Users
WinZip          All Users:WinZip All Users
Accessories PE6500\Administrator:Accessories          PE6500\Administrator
Accessories\Accessibility          PE6500\Administrator:Accessories\Accessibility
PE6500\Administrator
Accessories\Entertainment          PE6500\Administrator:Accessories\Entertainment
PE6500\Administrator
Accessories\System Tools          PE6500\Administrator:Accessories\System
Tools PE6500\Administrator
Administrative Tools          PE6500\Administrator:Administrative Tools
PE6500\Administrator
Startup          PE6500\Administrator:Startup          PE6500\Administrator
```

[Startup Programs]

Appendix C – Tunable Parameters

Program Command User Name Location
No startup program information

[OLE Registration]

Object Local Server
Sound (OLE2) sndrec32.exe
Media Clip mplay32.exe
Video Clip mplay32.exe /avi
MIDI Sequence mplay32.exe /mid
Sound Not Available
Media Clip Not Available
Image Document "C:\Program Files\Windows
NT\Accessories\ImageVue\KodakImg.exe"
WordPad Document "%ProgramFiles%\Windows NT\Accessories\WORDPAD.EXE"
Windows Media Services DRM Storage object Not Available
Bitmap Image C:\WINNT\System32\mspaint.exe

[Internet Explorer 5]

[Following are sub-categories of this main category]

[Summary]

Item Value
Version 5.00.2920.0000
Build 52920
Product ID 51879-OEM-0000007-00000
Application Path C:\Program Files\Internet Explorer
Language English (United States)
Active Printer Not Available

Cipher Strength 56-bit
Content Advisor Disabled
IEAK Install No

[File Versions]

File	Version	Size	Date	Path	Company
advapi32.dll	5.0.2191.1	349 KB	12/7/1999 7:00:00 AM	C:\WINNT\system32	Microsoft Corporation
advapi32.dll	5.0.2191.1	349 KB	12/7/1999 7:00:00 AM	.	Microsoft Corporation
advpack.dll	5.0.2920.0	87 KB	12/7/1999 7:00:00 AM	C:\WINNT\system32	Microsoft Corporation
advpack.dll	5.0.2920.0	87 KB	12/7/1999 7:00:00 AM	.	Microsoft Corporation
browseui.dll	5.0.2920.0	35 KB	12/7/1999 7:00:00 AM	C:\WINNT\system32	Microsoft Corporation
browseui.dll	5.0.2920.0	35 KB	12/7/1999 7:00:00 AM	.	Microsoft Corporation
browseui.dll	5.0.2920.0	793 KB	12/7/1999 7:00:00 AM	C:\WINNT\system32	Microsoft Corporation
browseui.dll	5.0.2920.0	793 KB	12/7/1999 7:00:00 AM	.	Microsoft Corporation

Appendix C – Tunable Parameters

ckcnv.exe	5.0.2189.1	9 KB	12/7/1999 7:00:00 AM	C:\WINNT\system32
	Microsoft Corporation			
ckcnv.exe	5.0.2189.1	9 KB	12/7/1999 7:00:00 AM	. Microsoft Corporation
comctl32.dll	5.81.2920.0	540 KB	12/7/1999 7:00:00 AM	C:\WINNT\system32 Microsoft Corporation
comctl32.dll	5.81.2920.0	540 KB	12/7/1999 7:00:00 AM	. Microsoft Corporation
crypt32.dll	5.131.2173.1	466 KB	12/7/1999 7:00:00 AM	C:\WINNT\system32 Microsoft Corporation
crypt32.dll	5.131.2173.1	466 KB	12/7/1999 7:00:00 AM	. Microsoft Corporation
ehnsig.dll	<File Missing>	Not Available	Not Available	Not Available
iemigrat.dll	<File Missing>	Not Available	Not Available	Not Available
iesetup.dll	5.0.2920.0	57 KB	12/7/1999 7:00:00 AM	C:\WINNT\system32 Microsoft Corporation
iesetup.dll	5.0.2920.0	57 KB	12/7/1999 7:00:00 AM	. Microsoft Corporation
iexplore.exe	5.0.2920.0	59 KB	12/7/1999 7:00:00 AM	C:\Program Files\Internet Explorer Microsoft Corporation
imagehlp.dll	5.0.2195.1	125 KB	12/7/1999 7:00:00 AM	C:\WINNT\system32 Microsoft Corporation
imagehlp.dll	5.0.2195.1	125 KB	12/7/1999 7:00:00 AM	. Microsoft Corporation
imghelp.dll	<File Missing>	Not Available	Not Available	Not Available
inseng.dll	5.0.2920.0	72 KB	12/7/1999 7:00:00 AM	C:\WINNT\system32 Microsoft Corporation
inseng.dll	5.0.2920.0	72 KB	12/7/1999 7:00:00 AM	. Microsoft Corporation
jobexec.dll	5.0.0.1	47 KB	12/7/1999 7:00:00 AM	C:\WINNT\system32 Microsoft Corporation
jobexec.dll	5.0.0.1	47 KB	12/7/1999 7:00:00 AM	. Microsoft Corporation
jscript.dll	5.1.0.4615	476 KB	12/7/1999 7:00:00 AM	C:\WINNT\system32 Microsoft Corporation
jscript.dll	5.1.0.4615	476 KB	12/7/1999 7:00:00 AM	. Microsoft Corporation
jsproxy.dll	5.0.2920.0	13 KB	12/7/1999 7:00:00 AM	C:\WINNT\system32 Microsoft Corporation
jsproxy.dll	5.0.2920.0	13 KB	12/7/1999 7:00:00 AM	. Microsoft Corporation
mssahtml.dll	<File Missing>	Not Available	Not Available	Not Available
mshtml.dll	5.0.2920.0	2302 KB	12/7/1999 7:00:00 AM	C:\WINNT\system32 Microsoft Corporation
mshtml.dll	5.0.2920.0	2302 KB	12/7/1999 7:00:00 AM	. Microsoft Corporation
msjava.dll	5.0.3234.0	918 KB	12/7/1999 7:00:00 AM	C:\WINNT\system32 Microsoft Corporation
msjava.dll	5.0.3234.0	918 KB	12/7/1999 7:00:00 AM	. Microsoft Corporation

Appendix C – Tunable Parameters

```

msoss.dll <File Missing> Not Available Not Available Not
Available Not Available
msxml.dll 5.0.2920.0 521 KB 12/7/1999 7:00:00 AM
C:\WINNT\system32 Microsoft Corporation
msxml.dll 5.0.2920.0 521 KB 12/7/1999 7:00:00 AM .
Microsoft Corporation
occache.dll 5.0.2920.0 86 KB 12/7/1999 7:00:00 AM C:\WINNT\system32
Microsoft Corporation
occache.dll 5.0.2920.0 86 KB 12/7/1999 7:00:00 AM . Microsoft
Corporation
ole32.dll 5.0.2181.1 966 KB 12/7/1999 7:00:00 AM
C:\WINNT\system32 Microsoft Corporation
ole32.dll 5.0.2181.1 966 KB 12/7/1999 7:00:00 AM .
Microsoft Corporation
oleaut32.dll 2.40.4512.1 600 KB 12/7/1999 7:00:00 AM
C:\WINNT\system32 Microsoft Corporation
oleaut32.dll 2.40.4512.1 600 KB 12/7/1999 7:00:00 AM .
Microsoft Corporation
olepro32.dll 5.0.4512.1 160 KB 12/7/1999 7:00:00 AM
C:\WINNT\system32 Microsoft Corporation
olepro32.dll 5.0.4512.1 160 KB 12/7/1999 7:00:00 AM .
Microsoft Corporation
rsabase.dll 5.0.2150.1 129 KB 12/7/1999 7:00:00 AM
C:\WINNT\system32 Microsoft Corporation
rsabase.dll 5.0.2150.1 129 KB 12/7/1999 7:00:00 AM .
Microsoft Corporation
rsaenh.dll <File Missing> Not Available Not Available Not
Available Not Available
rsapi32.dll <File Missing> Not Available Not Available Not
Available Not Available
rsasig.dll <File Missing> Not Available Not Available Not
Available Not Available
schannel.dll 5.0.2170.0 140 KB 12/7/1999 7:00:00 AM
C:\WINNT\system32 Microsoft Corporation
schannel.dll 5.0.2170.0 140 KB 12/7/1999 7:00:00 AM .
Microsoft Corporation
shdoc401.dll <File Missing> Not Available Not Available
Not Available Not Available
shdocvw.dll 5.0.2920.0 1078 KB 12/7/1999 7:00:00 AM
C:\WINNT\system32 Microsoft Corporation
shdocvw.dll 5.0.2920.0 1078 KB 12/7/1999 7:00:00 AM .
Microsoft Corporation
shell32.dll 5.0.2920.0 2297 KB 12/7/1999 7:00:00 AM
C:\WINNT\system32 Microsoft Corporation
shell32.dll 5.0.2920.0 2297 KB 12/7/1999 7:00:00 AM .
Microsoft Corporation
shlwapi.dll 5.0.2920.0 283 KB 12/7/1999 7:00:00 AM
C:\WINNT\system32 Microsoft Corporation
shlwapi.dll 5.0.2920.0 283 KB 12/7/1999 7:00:00 AM .
Microsoft Corporation
url.dll 5.0.2920.0 82 KB 12/7/1999 7:00:00 AM C:\WINNT\system32
Microsoft Corporation
url.dll 5.0.2920.0 82 KB 12/7/1999 7:00:00 AM . Microsoft
Corporation

```

Appendix C – Tunable Parameters

```
urlmon.dll 5.0.2920.0 427 KB 12/7/1999 7:00:00 AM
C:\WINNT\system32 Microsoft Corporation
urlmon.dll 5.0.2920.0 427 KB 12/7/1999 7:00:00 AM .
Microsoft Corporation
vbscript.dll 5.1.0.4615 428 KB 12/7/1999 7:00:00 AM
C:\WINNT\system32 Microsoft Corporation
vbscript.dll 5.1.0.4615 428 KB 12/7/1999 7:00:00 AM .
Microsoft Corporation
webcheck.dll 5.0.2920.0 252 KB 12/7/1999 7:00:00 AM
C:\WINNT\system32 Microsoft Corporation
webcheck.dll 5.0.2920.0 252 KB 12/7/1999 7:00:00 AM .
Microsoft Corporation
win.com 5.0.2134.1 24 KB 12/7/1999 7:00:00 AM C:\WINNT\system32
Microsoft Corporation
win.com 5.0.2134.1 24 KB 12/7/1999 7:00:00 AM . Microsoft
Corporation
wininet.dll 5.0.2920.0 457 KB 12/7/1999 7:00:00 AM
C:\WINNT\system32 Microsoft Corporation
wininet.dll 5.0.2920.0 457 KB 12/7/1999 7:00:00 AM .
Microsoft Corporation
winsock.dll 3.10.0.103 3 KB 12/7/1999 7:00:00 AM C:\WINNT\system32
Microsoft Corporation
winsock.dll 3.10.0.103 3 KB 12/7/1999 7:00:00 AM . Microsoft
Corporation
wintrust.dll 5.131.2143.1 162 KB 12/7/1999 7:00:00 AM
C:\WINNT\system32 Microsoft Corporation
wintrust.dll 5.131.2143.1 162 KB 12/7/1999 7:00:00 AM
. Microsoft Corporation
wsock.vxd <File Missing> Not Available Not Available Not
Available Not Available
wsock32.dll 5.0.2152.1 21 KB 12/7/1999 7:00:00 AM C:\WINNT\system32
Microsoft Corporation
wsock32.dll 5.0.2152.1 21 KB 12/7/1999 7:00:00 AM . Microsoft
Corporation
wsock32n.dll <File Missing> Not Available Not Available
Not Available Not Available
```

[Connectivity]

```
Item Value
Connection Preference Never dial
EnableHttp1.1 1
ProxyHttp1.1 0
```

LAN Settings

```
AutoConfigProxy wininet.dll
AutoProxyDetectMode Enabled
AutoConfigURL
Proxy Disabled
ProxyServer
ProxyOverride
```

[Cache]

Appendix C – Tunable Parameters

[Following are sub-categories of this main category]

[Summary]

Item Value

Page Refresh Type Automatic
Temporary Internet Files Folder C:\Documents and
Settings\Administrator\Local Settings\Temporary Internet Files
Total Disk Space 17500 MB
Available Disk Space 11073 MB
Maximum Cache Size 546 MB
Available Cache Size 547 MB

[List of Objects]

Program File Status CodeBase
No cached object information available

[Content]

[Following are sub-categories of this main category]

[Summary]

Item Value

Content Advisor Disabled

[Personal Certificates]

Issued To	Issued By	Validity	Signature Algorithm
Administrator	Administrator	1/9/2002 to 12/16/2101	sha1RSA

[Other People Certificates]

Issued To	Issued By	Validity	Signature Algorithm
No other people certificate information available			

[Publishers]

Name

No publisher information available

[Security]

Zone	Security Level
Local intranet	Medium-low
Trusted sites	Low
Internet	Medium
Restricted sites	High

Client Configuration Parameters

Appendix C – Tunable Parameters

COM+ Settings

TPCC.AITxns:

Activation:

Enable Object Pooling selected
Minimum Pool Size: 160
Maximum Pool Size: 160
Creation Timeout: 60,000
Enable Object Construction
Enable Just in Time Activation

Concurrency:

Concurrency Required

TPCC Application Registry Parameters

Windows Registry Editor Version 5.00

```
[HKEY_LOCAL_MACHINE\SOFTWARE\Microsoft\TPCC]
"Path"="c:\inetpub\wwwroot\"
"NumberOfDeliveryThreads"=dword:00000010
"MaxConnections"=dword:00002ee0
"MaxPendingDeliveries"=dword:000005dc
"DB_Protocol"="DBLIB"
"TxnMonitor"="COM"
"DbServer"="pe6500"
"DbName"="tpcc"
"DbUser"="sa"
"DbPassword"=""
"COM_SinglePool"="YES"
```

Microsoft Internet Information Server Registry Parameters

```
[HKEY_LOCAL_MACHINE\SYSTEM\CurrentControlSet\Services\InetInfo]
```

```
[HKEY_LOCAL_MACHINE\SYSTEM\CurrentControlSet\Services\InetInfo\Parameters]
"ListenBackLog"=dword:00000019
"DispatchEntries"=hex(7):4c,00,44,00,41,00,50,00,53,00,56,00,43,00,00,00,00,00
"PoolThreadLimit"=dword:000000be
"ThreadTimeout"=dword:00015180
```

```
[HKEY_LOCAL_MACHINE\SYSTEM\CurrentControlSet\Services\InetInfo\Performance]
"Library"="infectrs.dll"
"Open"="OpenINFOPerformanceData"
"Close"="CloseINFOPerformanceData"
"Collect"="CollectINFOPerformanceData"
"Last Counter"=dword:00000842
"Last Help"=dword:00000843
"First Counter"=dword:00000802
"First Help"=dword:00000803
"Library Validation Code"=hex:de,fc,ed,18,0a,98,c0,01,10,25,00,00,00,00,00,00
"WbemAdapFileTime"=hex:00,60,4e,96,aa,40,bf,01
"WbemAdapFileSize"=dword:00002510
"WbemAdapStatus"=dword:00000000
```

World Wide Web Service Registry Parameters

Windows Registry Editor Version 5.00

```
[HKEY_LOCAL_MACHINE\SYSTEM\CurrentControlSet\Services\W3SVC]
"Type"=dword:00000020
```

Appendix C – Tunable Parameters

"Start"=dword:00000002
"ErrorControl"=dword:00000001
"ImagePath"=hex(2):43,00,3a,00,5c,00,57,00,49,00,4e,00,4e,00,54,00,5c,00,53,00,\
79,00,73,00,74,00,65,00,6d,00,33,00,32,00,5c,00,69,00,6e,00,65,00,74,00,73,\
00,72,00,76,00,5c,00,69,00,6e,00,65,00,74,00,69,00,6e,00,66,00,6f,00,2e,00,\
65,00,78,00,65,00,00,00
"DisplayName"="World Wide Web Publishing Service"
"DependOnService"=hex(7):49,00,49,00,53,00,41,00,44,00,4d,00,49,00,4e,00,00,00,\
00,00
"DependOnGroup"=hex(7):00,00
"ObjectName"="LocalSystem"
"Description"="Provides Web connectivity and administration through the Internet Information
Services snap-in."

[HKEY_LOCAL_MACHINE\SYSTEM\CurrentControlSet\Services\W3SVC\ASP]
"NOTE"="This is for backward compatibility only."

[HKEY_LOCAL_MACHINE\SYSTEM\CurrentControlSet\Services\W3SVC\ASP\Parameters]

[HKEY_LOCAL_MACHINE\SYSTEM\CurrentControlSet\Services\W3SVC\Parameters]

"MajorVersion"=dword:00000005
"MinorVersion"=dword:00000000
"InstallPath"="C:\\WINNT\\System32\\inetsrv"
"CertMapList"="C:\\WINNT\\System32\\inetsrv\\iisrmap.dll"
"AccessDeniedMessage"="Error: Access is Denied."
"Filter DLLs"=""
"LogFileDirectory"="C:\\WINNT\\System32\\LogFiles"
"AcceptExOutstanding"=dword:00000028

[HKEY_LOCAL_MACHINE\SYSTEM\CurrentControlSet\Services\W3SVC\Parameters\ADCLaun
ch]

[HKEY_LOCAL_MACHINE\SYSTEM\CurrentControlSet\Services\W3SVC\Parameters\ADCLaun
ch\AdvancedDataFactory]

[HKEY_LOCAL_MACHINE\SYSTEM\CurrentControlSet\Services\W3SVC\Parameters\ADCLaun
ch\RDSServer.DataFactory]

[HKEY_LOCAL_MACHINE\SYSTEM\CurrentControlSet\Services\W3SVC\Parameters\Script
Map]

[HKEY_LOCAL_MACHINE\SYSTEM\CurrentControlSet\Services\W3SVC\Parameters\Virtual
Roots]

"/"="c:\\inetpub\\wwwroot,,205"
"/Scripts"="c:\\inetpub\\scripts,,204"
"/IISHelp"="c:\\winnt\\help\\iishelp,,201"
"/IISAdmin"="C:\\WINNT\\System32\\inetsrv\\iisadmin,,201"
"/IISamples"="c:\\inetpub\\iissamples,,201"
"/MSADC"="c:\\program files\\common files\\system\\msadc,,205"
"/_vti_bin"="C:\\Program Files\\Common Files\\Microsoft Shared\\Web Server
Extensions\\40\\isapi,,205"
"/Rpc"="C:\\WINNT\\System32\\RpcProxy,,4"
"/Printers"="C:\\WINNT\\web\\printers,,201"

[HKEY_LOCAL_MACHINE\SYSTEM\CurrentControlSet\Services\W3SVC\Performance]

Appendix C – Tunable Parameters

"Library"="w3ctrs.dll"
"Open"="OpenW3PerformanceData"
"Close"="CloseW3PerformanceData"
"Collect"="CollectW3PerformanceData"
"Last Counter"=dword:000008e6
"Last Help"=dword:000008e7
"First Counter"=dword:00000844
"First Help"=dword:00000845
"Library Validation Code"=hex:86,2b,a6,1b,0a,98,c0,01,10,3d,00,00,00,00,00,00
"WbemAdapFileTime"=hex:00,60,4e,96,aa,40,bf,01
"WbemAdapFileSize"=dword:00003d10
"WbemAdapStatus"=dword:00000000

[HKEY_LOCAL_MACHINE\SYSTEM\CurrentControlSet\Services\W3SVC\Security]

"Security"=hex:01,00,14,80,a0,00,00,00,ac,00,00,00,14,00,00,00,30,00,00,00,02,\
00,1c,00,01,00,00,00,02,80,14,00,ff,01,0f,00,01,01,00,00,00,00,00,01,00,00,\
00,00,02,00,70,00,04,00,00,00,00,00,18,00,fd,01,02,00,01,01,00,00,00,00,00,\
05,12,00,00,00,74,00,6f,00,00,00,1c,00,ff,01,0f,00,01,02,00,00,00,00,00,05,\
20,00,00,00,20,02,00,00,72,00,73,00,00,00,18,00,8d,01,02,00,01,01,00,00,00,\
00,00,05,0b,00,00,00,20,02,00,00,00,00,1c,00,fd,01,02,00,01,02,00,00,00,00,\
00,05,20,00,00,00,23,02,00,00,72,00,73,00,01,01,00,00,00,00,00,05,12,00,00,\
00,01,01,00,00,00,00,00,05,12,00,00,00

[HKEY_LOCAL_MACHINE\SYSTEM\CurrentControlSet\Services\W3SVC\Enum]

"0"="Root\\LEGACY_W3SVC\0000"
"Count"=dword:00000001
"NextInstance"=dword:00000001

Appendix C – Tunable Parameters

Microsoft Windows 2000 Server System Information Report for PE1400

System Information report written at: 05/24/2002 04:39:05 PM
[System Information]

[Following are sub-categories of this main category]

[System Summary]

Item Value

OS Name Microsoft Windows 2000 Server
Version 5.0.2195 Build 2195
OS Manufacturer Microsoft Corporation
System Name CLIENT2
System Manufacturer Dell Computer Corporation
System Model PowerEdge 1400
System Type X86-based PC
Processor x86 Family 6 Model 8 Stepping 6 GenuineIntel ~1000 Mhz
BIOS Version Phoenix ROM BIOS PLUS Version 1.10 A03
Windows Directory C:\WINNT
System Directory C:\WINNT\System32
Boot Device \Device\Harddisk0\Partition1
Locale United States
User Name CLIENT2\Administrator
Time Zone Central Daylight Time
Total Physical Memory 523,816 KB
Available Physical Memory 410,912 KB
Total Virtual Memory 1,802,228 KB
Available Virtual Memory 1,596,444 KB
Page File Space 1,278,412 KB
Page File C:\pagefile.sys

[Hardware Resources]

[Following are sub-categories of this main category]

[Conflicts/Sharing]

Resource Device
No conflicted/shared resources

[DMA]

Channel	Device	Status
4	Direct memory access controller	OK
2	Standard floppy disk controller	OK

[Forced Hardware]

Device PNP Device ID
No Forced Hardware

[I/O]

Address Range	Device	Status
0x0000-0x03AF	PCI bus	OK

Appendix C – Tunable Parameters

0x0000-0x03AF	Direct memory access controller	OK
0x03B0-0x03DF	PCI bus	OK
0x03B0-0x03DF	ATI Technologies Inc. RAGE XL PCI	OK
0x03E0-0x0FFF	PCI bus	OK
0xE000-0xEFFF	PCI bus	OK
0xECA0-0xECBF	Intel(R) PRO/100+ PCI Adapter	OK
0xEC80-0xEC9F	Intel(R) PRO/100+ PCI Adapter #2	OK
0xE800-0xE8FF	ATI Technologies Inc. RAGE XL PCI	OK
0x03C0-0x03DF	ATI Technologies Inc. RAGE XL PCI	OK
0x0A79-0x0A79	ISAPNP Read Data Port	OK
0x0279-0x0279	ISAPNP Read Data Port	OK
0x02F4-0x02F7	ISAPNP Read Data Port	OK
0x0080-0x009F	Direct memory access controller	OK
0x00C0-0x00DF	Direct memory access controller	OK
0x00F0-0x00FF	Numeric data processor	OK
0x0020-0x003F	Programmable interrupt controller	OK
0x00A0-0x00BF	Programmable interrupt controller	OK
0x04D0-0x04D1	Programmable interrupt controller	OK
0x0061-0x0061	System speaker	OK
0x0040-0x005F	System timer	OK
0x03F0-0x03F5	Standard floppy disk controller	OK
0x03F7-0x03F7	Standard floppy disk controller	OK
0x0060-0x0060	Standard 101/102-Key or Microsoft Natural PS/2 Keyboard	OK
0x0064-0x0064	Standard 101/102-Key or Microsoft Natural PS/2 Keyboard	OK
0x03F8-0x03FF	Communications Port (COM1)	OK
0x02F8-0x02FF	Communications Port (COM2)	OK
0x0378-0x037F	ECP Printer Port (LPT1)	OK
0x0778-0x077F	ECP Printer Port (LPT1)	OK
0x0070-0x007F	System CMOS/real time clock	OK
0x0814-0x085B	System board	OK
0x0580-0x058F	System board	OK
0x0C00-0x0CD7	System board	OK
0x0F50-0x0F58	System board	OK
0x00E0-0x00EF	System board	OK
0x08B0-0x08BF	Standard Dual Channel PCI IDE Controller	OK
0x01F0-0x01F7	Primary IDE Channel	OK
0x03F6-0x03F6	Primary IDE Channel	OK
0x0170-0x0177	Secondary IDE Channel	OK
0x0376-0x0376	Secondary IDE Channel	OK
0xD000-0xDFFF	PCI bus	OK
0xDC00-0xDCFF	Adaptec AIC-7899 Ultra160/m PCI SCSI Card	OK
0xD800-0xD8FF	Adaptec AIC-7899 Ultra160/m PCI SCSI Card	OK

[IRQs]

IRQ Number	Device
9	Microsoft ACPI-Compliant System
25	Intel(R) PRO/100+ PCI Adapter
28	Intel(R) PRO/100+ PCI Adapter #2
13	Numeric data processor
6	Standard floppy disk controller
1	Standard 101/102-Key or Microsoft Natural PS/2 Keyboard
12	PS/2 Compatible Mouse

Appendix C – Tunable Parameters

4 Communications Port (COM1)
3 Communications Port (COM2)
8 System CMOS/real time clock
14 Primary IDE Channel
30 Adaptec AIC-7899 Ultra160/m PCI SCSI Card
31 Adaptec AIC-7899 Ultra160/m PCI SCSI Card

[Memory]

Range	Device	Status
0xA0000-0xBFFFF	PCI bus	OK
0xA0000-0xBFFFF	ATI Technologies Inc. RAGE XL PCI	OK
0xD8000-0xEFFFF	PCI bus	OK
0xF9000000-0xFE30FFFF	PCI bus	OK
0xFB001000-0xFB001FFF	Intel(R) PRO/100+ PCI Adapter	OK
0xFE100000-0xFE1FFFFFF	Intel(R) PRO/100+ PCI Adapter	OK
0xFB000000-0xFB000FFF	Intel(R) PRO/100+ PCI Adapter #2	OK
0xFE000000-0xFE0FFFFFF	Intel(R) PRO/100+ PCI Adapter #2	OK
0xFC000000-0xFCFFFFFF	ATI Technologies Inc. RAGE XL PCI	OK
0xFE300000-0xFE300FFF	ATI Technologies Inc. RAGE XL PCI	OK
0xF4000000-0xF823FFFF	PCI bus	OK
0xF8231000-0xF8231FFF	Adaptec AIC-7899 Ultra160/m PCI SCSI Card	OK
0xF8230000-0xF8230FFF	Adaptec AIC-7899 Ultra160/m PCI SCSI Card	OK
0x0000-0x9FFFF	System board	OK
0x100000-0xFFFFFFFF	System board	OK
0x1000000-0x1FFFFFFF	System board	OK
0xF0000-0xFFFFFFFF	System board	OK
0xFEC00000-0xFEC0FFFF	System board	OK
0xFEE00000-0xFEE0FFFF	System board	OK
0xFFE00000-0xFFFFFFFF	System board	OK

[Components]

[Following are sub-categories of this main category]

[Multimedia]

[Following are sub-categories of this main category]

[Audio Codecs]

Codec	Manufacturer	Description	Status	File	Version	Size
c:\winnt\system32\iac25_32.ax	Intel Corporation	Indeo® audio software	OK	C:\WINNT\System32\IAC25_32.AX	2.05.53	195.00 KB
(199,680 bytes)						12/7/1999 6:00:00 AM
c:\winnt\system32\msg723.acm	Microsoft Corporation		OK	C:\WINNT\System32\MSG723.ACM	4.4.3385	106.77 KB (109,328 bytes)
						2/16/2001 11:23:07 AM
c:\winnt\system32\lhacm.acm	Microsoft Corporation		OK	C:\WINNT\System32\LHACM.ACM	4.4.3385	33.27 KB (34,064 bytes)
						2/16/2001 11:23:08 AM
c:\winnt\system32\tssoft32.acm	DSP GROUP, INC.		OK	C:\WINNT\System32\TSSOFT32.ACM	1.01	9.27 KB (9,488 bytes)
						12/7/1999 6:00:00 AM

Appendix C – Tunable Parameters

c:\winnt\system32\msadp32.acm Microsoft Corporation OK
C:\WINNT\System32\MSADP32.ACM 5.00.2134.1 14.77 KB (15,120 bytes)
12/7/1999 6:00:00 AM

c:\winnt\system32\imaadp32.acm Microsoft Corporation OK
C:\WINNT\System32\IMAADP32.ACM 5.00.2134.1 16.27 KB (16,656
bytes) 12/7/1999 6:00:00 AM

c:\winnt\system32\msgsm32.acm Microsoft Corporation OK
C:\WINNT\System32\MSGSM32.ACM 5.00.2134.1 22.27 KB (22,800 bytes)
12/7/1999 6:00:00 AM

c:\winnt\system32\msg711.acm Microsoft Corporation OK
C:\WINNT\System32\MSG711.ACM 5.00.2134.1 10.27 KB (10,512 bytes)
12/7/1999 6:00:00 AM

[Video Codecs]

Codec	Manufacturer	Description	Status	File	Version	Size
c:\winnt\system32\ir50_32.dll	Intel Corporation	Indeo® video	OK		5.10	
	C:\WINNT\System32\IR50_32.DLL	R.5.10.15.2.55			737.50	KB
(755,200 bytes)		12/7/1999 6:00:00 AM				
c:\winnt\system32\msh261.drv	Microsoft Corporation		OK			
	C:\WINNT\System32\MSH261.DRV	4.4.3385		163.77	KB	(167,696 bytes)
		2/16/2001 11:23:08 AM				
c:\winnt\system32\msh263.drv	Microsoft Corporation		OK			
	C:\WINNT\System32\MSH263.DRV	4.4.3385		252.27	KB	(258,320 bytes)
		2/16/2001 11:22:37 AM				
c:\winnt\system32\msvidc32.dll	Microsoft Corporation		OK			
	C:\WINNT\System32\MSVIDC32.DLL	5.00.2134.1		27.27	KB	(27,920 bytes)
		12/7/1999 6:00:00 AM				
c:\winnt\system32\msrle32.dll	Microsoft Corporation		OK			
	C:\WINNT\System32\MSRLE32.DLL	5.00.2134.1		10.77	KB	(11,024 bytes)
		12/7/1999 6:00:00 AM				
c:\winnt\system32\iccvid.dll	Radius Inc.		OK			
	C:\WINNT\System32\ICCVID.DLL	1.10.0.6		108.00	KB	(110,592 bytes)
		12/7/1999 6:00:00 AM				
c:\winnt\system32\ir32_32.dll	Intel(R) Corporation		OK			
	C:\WINNT\System32\IR32_32.DLL	Not Available		194.50	KB	
(199,168 bytes)		12/7/1999 6:00:00 AM				

[CD-ROM]

Item Value
Drive D:
Description CD-ROM Drive
Media Loaded False
Media Type CD-ROM
Name SAMSUNG CD-ROM SC-148F
Manufacturer (Standard CD-ROM drives)
Status OK
Transfer Rate Not Available
SCSI Target ID 0
PNP Device ID IDE\CDROMSAMSUNG_CD-ROM_SC-
148F_____F008____\5&F3420B7&0&0.0.0

Appendix C – Tunable Parameters

[Sound Device]

Item Value
No sound devices

[Display]

Item Value
Name ATI Technologies Inc. RAGE XL PCI
PNP Device ID
PCI\VEN_1002&DEV_4752&SUBSYS_00CE1028&REV_27\3&13C0B0C5&0&70
Adapter Type ATI RAGE XL PCI, ATI Technologies Inc. compatible
Adapter Description ATI Technologies Inc. RAGE XL PCI
Adapter RAM 4.00 MB (4,194,304 bytes)
Installed Drivers atidrab.dll
Driver Version 5.00.2179.1
INF File display.inf (atirage3 section)
Color Planes 1
Color Table Entries 256
Resolution 1024 x 768 x 60 hertz
Bits/Pixel 8

[Infrared]

Item Value
No infrared devices

[Input]

[Following are sub-categories of this main category]

[Keyboard]

Item Value
Description Standard 101/102-Key or Microsoft Natural PS/2 Keyboard
Name Enhanced (101- or 102-key)
Layout 00000409
PNP Device ID ACPI\PNP0303\4&14E2F907&0
NumberOfFunctionKeys 12

[Pointing Device]

Item Value
Hardware Type PS/2 Compatible Mouse
Number of Buttons 2
Status OK
PNP Device ID ACPI\PNP0F13\4&14E2F907&0
Power Management Supported False
Double Click Threshold 6
Handedness Right Handed Operation

[Modem]

Appendix C – Tunable Parameters

Item Value

No modems

[Network]

[Following are sub-categories of this main category]

[Adapter]

Item Value

Name [00000000] Intel(R) PRO/100+ PCI Adapter
Adapter Type Ethernet 802.3
Product Name Intel(R) PRO/100+ PCI Adapter
Installed True
PNP Device ID
PCI\VEN_8086&DEV_1229&SUBSYS_00098086&REV_05\3&13C0B0C5&0&20
Last Reset 5/23/2002 10:10:19 AM
Index 0
Service Name E100B
IP Address 192.1.20.100
IP Subnet 255.255.255.0
Default IP Gateway Not Available
DHCP Enabled False
DHCP Server Not Available
DHCP Lease Expires Not Available
DHCP Lease Obtained Not Available
MAC Address 00:90:27:5C:D1:98
Service Name E100B
IRQ Number 25
I/O Port 0xECA0-0xECBF
Driver c:\winnt\system32\drivers\e100bnt5.sys (80144,
4.01.67.0000)

Name [00000001] Intel 8255x-based PCI Ethernet Adapter (10/100)
Adapter Type Not Available
Product Name Intel 8255x-based PCI Ethernet Adapter (10/100)
Installed True
PNP Device ID
PCI\VEN_8086&DEV_1229&SUBSYS_009B1028&REV_08\3&13C0B0C5&0&10
Last Reset 5/23/2002 10:10:19 AM
Index 1
Service Name E100B
IP Address Not Available
IP Subnet Not Available
Default IP Gateway Not Available
DHCP Enabled True
DHCP Server Not Available
DHCP Lease Expires Not Available
DHCP Lease Obtained Not Available
MAC Address Not Available
Service Name E100B
Driver c:\winnt\system32\drivers\e100bnt5.sys (80144,
4.01.67.0000)

Appendix C – Tunable Parameters

Name [00000002] RAS Async Adapter
Adapter Type Not Available
Product Name RAS Async Adapter
Installed True
PNP Device ID Not Available
Last Reset 5/23/2002 10:10:19 AM
Index 2
Service Name AsyncMac
IP Address Not Available
IP Subnet Not Available
Default IP Gateway Not Available
DHCP Enabled False
DHCP Server Not Available
DHCP Lease Expires Not Available
DHCP Lease Obtained Not Available
MAC Address Not Available
Service Name Not Available

Name [00000003] WAN Miniport (L2TP)
Adapter Type Not Available
Product Name WAN Miniport (L2TP)
Installed True
PNP Device ID ROOT\MS_L2TPMINIPORT\0000
Last Reset 5/23/2002 10:10:19 AM
Index 3
Service Name Rasl2tp
IP Address Not Available
IP Subnet Not Available
Default IP Gateway Not Available
DHCP Enabled False
DHCP Server Not Available
DHCP Lease Expires Not Available
DHCP Lease Obtained Not Available
MAC Address Not Available
Service Name Rasl2tp
Driver c:\winnt\system32\drivers\rasl2tp.sys (50800, 5.00.2179.1)

Name [00000004] WAN Miniport (PPTP)
Adapter Type Wide Area Network (WAN)
Product Name WAN Miniport (PPTP)
Installed True
PNP Device ID ROOT\MS_PPTPMINIPORT\0000
Last Reset 5/23/2002 10:10:19 AM
Index 4
Service Name PptpMiniport
IP Address Not Available
IP Subnet Not Available
Default IP Gateway Not Available
DHCP Enabled False
DHCP Server Not Available
DHCP Lease Expires Not Available
DHCP Lease Obtained Not Available
MAC Address 50:50:54:50:30:30
Service Name PptpMiniport
Driver c:\winnt\system32\drivers\rasppptp.sys (47856, 5.00.2160.1)

Appendix C – Tunable Parameters

Name [00000005] Direct Parallel
Adapter Type Not Available
Product Name Direct Parallel
Installed True
PNP Device ID ROOT\MS_PTMINIPOINT\0000
Last Reset 5/23/2002 10:10:19 AM
Index 5
Service Name Raspti
IP Address Not Available
IP Subnet Not Available
Default IP Gateway Not Available
DHCP Enabled False
DHCP Server Not Available
DHCP Lease Expires Not Available
DHCP Lease Obtained Not Available
MAC Address Not Available
Service Name Raspti
Driver c:\winnt\system32\drivers\raspti.sys (16880, 5.00.2146.1)

Name [00000006] WAN Miniport (IP)
Adapter Type Not Available
Product Name WAN Miniport (IP)
Installed True
PNP Device ID ROOT\MS_NDISWANIP\0000
Last Reset 5/23/2002 10:10:19 AM
Index 6
Service Name NdisWan
IP Address Not Available
IP Subnet Not Available
Default IP Gateway Not Available
DHCP Enabled False
DHCP Server Not Available
DHCP Lease Expires Not Available
DHCP Lease Obtained Not Available
MAC Address Not Available
Service Name NdisWan
Driver c:\winnt\system32\drivers\ndiswan.sys (90768, 5.00.2184.1)

Name [00000007] cLAN Host Adapter
Adapter Type Not Available
Product Name cLAN Host Adapter
Installed True
PNP Device ID
PCI\VEN_135B&DEV_0001&SUBSYS_00000000&REV_00\3&1070020&0&20
Last Reset 5/23/2002 10:10:19 AM
Index 7
Service Name GNINDIS
IP Address Not Available
IP Subnet Not Available
Default IP Gateway Not Available
DHCP Enabled False
DHCP Server Not Available
DHCP Lease Expires Not Available
DHCP Lease Obtained Not Available

Appendix C – Tunable Parameters

MAC Address Not Available
Service Name GNINDIS
Driver c:\winnt\system32\drivers\gnindis.sys (22598, 4.1.1)

Name [00000008] Intel(R) PRO/100+ PCI Adapter
Adapter Type Ethernet 802.3
Product Name Intel(R) PRO/100+ PCI Adapter
Installed True
PNP Device ID
PCI\VEN_8086&DEV_1229&SUBSYS_00098086&REV_05\3&13C0B0C5&0&30
Last Reset 5/23/2002 10:10:19 AM
Index 8
Service Name E100B
IP Address 192.1.1.2
IP Subnet 255.255.255.0
Default IP Gateway Not Available
DHCP Enabled False
DHCP Server Not Available
DHCP Lease Expires Not Available
DHCP Lease Obtained Not Available
MAC Address 00:90:27:5C:D4:60
Service Name E100B
IRQ Number 28
I/O Port 0xEC80-0xEC9F
Driver c:\winnt\system32\drivers\e100bnt5.sys (80144,
4.01.67.0000)

[Protocol]

Item Value
Name MSAFD Tcpi [TCP/IP]
ConnectionlessService False
GuaranteesDelivery True
GuaranteesSequencing True
MaximumAddressSize 16 bytes
MaximumMessageSize 0 bytes
MessageOriented False
MinimumAddressSize 16 bytes
PseudoStreamOriented False
SupportsBroadcasting False
SupportsConnectData False
SupportsDisconnectData False
SupportsEncryption False
SupportsExpeditedData True
SupportsGracefulClosing True
SupportsGuaranteedBandwidth False
SupportsMulticasting False

Name MSAFD Tcpi [UDP/IP]
ConnectionlessService True
GuaranteesDelivery False
GuaranteesSequencing False
MaximumAddressSize 16 bytes
MaximumMessageSize 65467 bytes

Appendix C – Tunable Parameters

MessageOriented True
MinimumAddressSize 16 bytes
PseudoStreamOriented False
SupportsBroadcasting True
SupportsConnectData False
SupportsDisconnectData False
SupportsEncryption False
SupportsExpeditedData False
SupportsGracefulClosing False
SupportsGuaranteedBandwidth False
SupportsMulticasting True

Name RSVP UDP Service Provider
ConnectionlessService True
GuaranteesDelivery False
GuaranteesSequencing False
MaximumAddressSize 16 bytes
MaximumMessageSize 65467 bytes
MessageOriented True
MinimumAddressSize 16 bytes
PseudoStreamOriented False
SupportsBroadcasting True
SupportsConnectData False
SupportsDisconnectData False
SupportsEncryption True
SupportsExpeditedData False
SupportsGracefulClosing False
SupportsGuaranteedBandwidth False
SupportsMulticasting True

Name RSVP TCP Service Provider
ConnectionlessService False
GuaranteesDelivery True
GuaranteesSequencing True
MaximumAddressSize 16 bytes
MaximumMessageSize 0 bytes
MessageOriented False
MinimumAddressSize 16 bytes
PseudoStreamOriented False
SupportsBroadcasting False
SupportsConnectData False
SupportsDisconnectData False
SupportsEncryption True
SupportsExpeditedData True
SupportsGracefulClosing True
SupportsGuaranteedBandwidth False
SupportsMulticasting False

Name MSAFD NetBIOS [\\Device\NetBT_Tcpip_{7F28470E-1818-45F5-BA92-D2EAEEFA3A3D}] SEQPACKET 5
ConnectionlessService False
GuaranteesDelivery True
GuaranteesSequencing True
MaximumAddressSize 20 bytes
MaximumMessageSize 64000 bytes

Appendix C – Tunable Parameters

MessageOriented True
MinimumAddressSize 20 bytes
PseudoStreamOriented False
SupportsBroadcasting False
SupportsConnectData False
SupportsDisconnectData False
SupportsEncryption False
SupportsExpeditedData False
SupportsGracefulClosing False
SupportsGuaranteedBandwidth False
SupportsMulticasting False

Name MSAFD NetBIOS [\Device\NetBT_Tcpip_{7F28470E-1818-45F5-BA92-D2EAEEFA3A3D}] DATAGRAM 5

ConnectionlessService True
GuaranteesDelivery False
GuaranteesSequencing False
MaximumAddressSize 20 bytes
MaximumMessageSize 64000 bytes
MessageOriented True
MinimumAddressSize 20 bytes
PseudoStreamOriented False
SupportsBroadcasting True
SupportsConnectData False
SupportsDisconnectData False
SupportsEncryption False
SupportsExpeditedData False
SupportsGracefulClosing False
SupportsGuaranteedBandwidth False
SupportsMulticasting False

Name MSAFD NetBIOS [\Device\NetBT_Tcpip_{4C4DAE74-4007-4939-B7C1-D352BD42F36B}] SEQPACKET 4

ConnectionlessService False
GuaranteesDelivery True
GuaranteesSequencing True
MaximumAddressSize 20 bytes
MaximumMessageSize 64000 bytes
MessageOriented True
MinimumAddressSize 20 bytes
PseudoStreamOriented False
SupportsBroadcasting False
SupportsConnectData False
SupportsDisconnectData False
SupportsEncryption False
SupportsExpeditedData False
SupportsGracefulClosing False
SupportsGuaranteedBandwidth False
SupportsMulticasting False

Name MSAFD NetBIOS [\Device\NetBT_Tcpip_{4C4DAE74-4007-4939-B7C1-D352BD42F36B}] DATAGRAM 4

ConnectionlessService True
GuaranteesDelivery False
GuaranteesSequencing False

Appendix C – Tunable Parameters

MaximumAddressSize 20 bytes
MaximumMessageSize 64000 bytes
MessageOriented True
MinimumAddressSize 20 bytes
PseudoStreamOriented False
SupportsBroadcasting True
SupportsConnectData False
SupportsDisconnectData False
SupportsEncryption False
SupportsExpeditedData False
SupportsGracefulClosing False
SupportsGuaranteedBandwidth False
SupportsMulticasting False

Name MSAFD NetBIOS [\Device\NetBT_Tcpip_{0F52C741-CF89-4A57-ADDF-6C498B2B5C5E}] SEQPACKET 0

ConnectionlessService False
GuaranteesDelivery True
GuaranteesSequencing True
MaximumAddressSize 20 bytes
MaximumMessageSize 64000 bytes
MessageOriented True
MinimumAddressSize 20 bytes
PseudoStreamOriented False
SupportsBroadcasting False
SupportsConnectData False
SupportsDisconnectData False
SupportsEncryption False
SupportsExpeditedData False
SupportsGracefulClosing False
SupportsGuaranteedBandwidth False
SupportsMulticasting False

Name MSAFD NetBIOS [\Device\NetBT_Tcpip_{0F52C741-CF89-4A57-ADDF-6C498B2B5C5E}] DATAGRAM 0

ConnectionlessService True
GuaranteesDelivery False
GuaranteesSequencing False
MaximumAddressSize 20 bytes
MaximumMessageSize 64000 bytes
MessageOriented True
MinimumAddressSize 20 bytes
PseudoStreamOriented False
SupportsBroadcasting True
SupportsConnectData False
SupportsDisconnectData False
SupportsEncryption False
SupportsExpeditedData False
SupportsGracefulClosing False
SupportsGuaranteedBandwidth False
SupportsMulticasting False

Name MSAFD NetBIOS [\Device\NetBT_Tcpip_{53975049-680C-4C3D-A4CF-317CC4811AD4}] SEQPACKET 1

ConnectionlessService False

Appendix C – Tunable Parameters

GuaranteesDelivery True
GuaranteesSequencing True
MaximumAddressSize 20 bytes
MaximumMessageSize 64000 bytes
MessageOriented True
MinimumAddressSize 20 bytes
PseudoStreamOriented False
SupportsBroadcasting False
SupportsConnectData False
SupportsDisconnectData False
SupportsEncryption False
SupportsExpeditedData False
SupportsGracefulClosing False
SupportsGuaranteedBandwidth False
SupportsMulticasting False

Name MSAFD NetBIOS [\Device\NetBT_Tcpip_{53975049-680C-4C3D-A4CF-317CC4811AD4}] DATAGRAM 1

ConnectionlessService True
GuaranteesDelivery False
GuaranteesSequencing False
MaximumAddressSize 20 bytes
MaximumMessageSize 64000 bytes
MessageOriented True
MinimumAddressSize 20 bytes
PseudoStreamOriented False
SupportsBroadcasting True
SupportsConnectData False
SupportsDisconnectData False
SupportsEncryption False
SupportsExpeditedData False
SupportsGracefulClosing False
SupportsGuaranteedBandwidth False
SupportsMulticasting False

Name MSAFD NetBIOS [\Device\NetBT_Tcpip_{F6854AC0-072C-450B-B073-FD3E0C7B3152}] SEQPACKET 2

ConnectionlessService False
GuaranteesDelivery True
GuaranteesSequencing True
MaximumAddressSize 20 bytes
MaximumMessageSize 64000 bytes
MessageOriented True
MinimumAddressSize 20 bytes
PseudoStreamOriented False
SupportsBroadcasting False
SupportsConnectData False
SupportsDisconnectData False
SupportsEncryption False
SupportsExpeditedData False
SupportsGracefulClosing False
SupportsGuaranteedBandwidth False
SupportsMulticasting False

Appendix C – Tunable Parameters

Name MSAFD NetBIOS [\Device\NetBT_Tcpip_{F6854AC0-072C-450B-B073-FD3E0C7B3152}] DATAGRAM 2
ConnectionlessService True
GuaranteesDelivery False
GuaranteesSequencing False
MaximumAddressSize 20 bytes
MaximumMessageSize 64000 bytes
MessageOriented True
MinimumAddressSize 20 bytes
PseudoStreamOriented False
SupportsBroadcasting True
SupportsConnectData False
SupportsDisconnectData False
SupportsEncryption False
SupportsExpeditedData False
SupportsGracefulClosing False
SupportsGuaranteedBandwidth False
SupportsMulticasting False

Name MSAFD NetBIOS [\Device\NetBT_Tcpip_{CC273023-EFA3-4001-978D-169135B56664}] SEQPACKET 3
ConnectionlessService False
GuaranteesDelivery True
GuaranteesSequencing True
MaximumAddressSize 20 bytes
MaximumMessageSize 64000 bytes
MessageOriented True
MinimumAddressSize 20 bytes
PseudoStreamOriented False
SupportsBroadcasting False
SupportsConnectData False
SupportsDisconnectData False
SupportsEncryption False
SupportsExpeditedData False
SupportsGracefulClosing False
SupportsGuaranteedBandwidth False
SupportsMulticasting False

Name MSAFD NetBIOS [\Device\NetBT_Tcpip_{CC273023-EFA3-4001-978D-169135B56664}] DATAGRAM 3
ConnectionlessService True
GuaranteesDelivery False
GuaranteesSequencing False
MaximumAddressSize 20 bytes
MaximumMessageSize 64000 bytes
MessageOriented True
MinimumAddressSize 20 bytes
PseudoStreamOriented False
SupportsBroadcasting True
SupportsConnectData False
SupportsDisconnectData False
SupportsEncryption False
SupportsExpeditedData False
SupportsGracefulClosing False
SupportsGuaranteedBandwidth False

Appendix C – Tunable Parameters

SupportsMulticasting False

[WinSock]

Item Value

File c:\winnt\system32\winsock.dll

Version 3.10

Size 2.80 KB (2,864 bytes)

File c:\winnt\system32\wsock32.dll

Version 5.00.2152.1

Size 21.27 KB (21,776 bytes)

[Ports]

[Following are sub-categories of this main category]

[Serial]

Item Value

Name COM1

Status OK

PNP Device ID ACPI\PNP0501\1

Maximum Input Buffer Size Not Available

Maximum Output Buffer Size Not Available

Settable Baud Rate Not Available

Settable Data Bits Not Available

Settable Flow Control Not Available

Settable Parity Not Available

Settable Parity Check Not Available

Settable Stop Bits Not Available

Settable RLSD Not Available

Supports RLSD Not Available

Supports 16 Bit Mode Not Available

Supports Special Characters Not Available

Baud Rate 9600

Bits/Byte 8

Stop Bits 1

Parity None

Busy -1

Abort Read/Write on Error Not Available

Binary Mode Enabled Not Available

Continue Xmit on XOff Not Available

CTS Outflow Control Not Available

Discard NULL Bytes Not Available

DSR Outflow Control Not Available

DSR Sensitivity Not Available

DTR Flow Control Type Not Available

EOF Character Not Available

Error Replace Character Not Available

Error Replacement Enabled Not Available

Event Character Not Available

Parity Check Enabled -1

Appendix C – Tunable Parameters

RTS Flow Control Type Not Available
XOff Character 19
XOffXMit Threshold 512
XOn Character 17
XOnXMit Threshold 2048
XOnXOff InFlow Control Not Available
XOnXOff OutFlow Control Not Available
IRQ Number 4
I/O Port 0x03F8-0x03FF
Driver c:\winnt\system32\drivers\serial.sys (62448, 5.00.2134.1)

Name COM2
Status OK
PNP Device ID ACPI\PNP0501\2
Maximum Input Buffer Size 0
Maximum Output Buffer Size False
Settable Baud Rate True
Settable Data Bits True
Settable Flow Control True
Settable Parity True
Settable Parity Check True
Settable Stop Bits True
Settable RLSD True
Supports RLSD True
Supports 16 Bit Mode False
Supports Special Characters False
Baud Rate 9600
Bits/Byte 8
Stop Bits 1
Parity None
Busy 0
Abort Read/Write on Error 0
Binary Mode Enabled -1
Continue XMit on XOff 0
CTS Outflow Control 0
Discard NULL Bytes 0
DSR Outflow Control 0
DSR Sensitivity 0
DTR Flow Control Type Enable
EOF Character 0
Error Replace Character 0
Error Replacement Enabled 0
Event Character 0
Parity Check Enabled 0
RTS Flow Control Type Enable
XOff Character 19
XOffXMit Threshold 512
XOn Character 17
XOnXMit Threshold 2048
XOnXOff InFlow Control 0
XOnXOff OutFlow Control 0
IRQ Number 3
I/O Port 0x02F8-0x02FF
Driver c:\winnt\system32\drivers\serial.sys (62448, 5.00.2134.1)

Appendix C – Tunable Parameters

[Parallel]

Item Value
Name LPT1
PNP Device ID ACPI\PNP0401\4&14E2F907&0

[Storage]

[Following are sub-categories of this main category]

[Drives]

Item Value
Drive A:
Description 3 1/2 Inch Floppy Drive

Drive C:
Description Local Fixed Disk
Compressed False
File System NTFS
Size 4.24 GB (4,556,771,328 bytes)
Free Space 1.19 GB (1,280,348,160 bytes)
Volume Name
Volume Serial Number 80E2C477
Partition Disk #0, Partition #0
Partition Size 4.24 GB (4,556,772,864 bytes)
Starting Offset 32256 bytes
Drive Description Disk drive
Drive Manufacturer (Standard disk drives)
Drive Model QUANTUM VIKING II 4.5WLS SCSI Disk Device
Drive BytesPerSector 512
Drive MediaLoaded True
Drive MediaType Fixed hard disk media
Drive Partitions 1
Drive SCsIBus 0
Drive SCsILogicalUnit 0
Drive SCsIPort 2
Drive SCsITargetId 1
Drive SectorsPerTrack 63
Drive Size 4556805120 bytes
Drive TotalCylinders 554
Drive TotalSectors 8900010
Drive TotalTracks 141270
Drive TracksPerCylinder 255

[SCSI]

Item Value
Name Adaptec AIC-7899 Ultra160/m PCI SCSI Card
Caption Adaptec AIC-7899 Ultra160/m PCI SCSI Card
Driver adpul60m
Status OK

Appendix C – Tunable Parameters

PNP Device ID

PCI\VEN_9005&DEV_00CF&SUBSYS_00CE1028&REV_01\3&1070020&0&10
Device ID PCI\VEN_9005&DEV_00CF&SUBSYS_00CE1028&REV_01\3&1070020&0&10
Device Map Not Available
Index Not Available
Max Number Controlled Not Available
IRQ Number 30
I/O Port 0xDC00-0xDCFF
Driver c:\winnt\system32\drivers\adpu160m.sys (64432, v3.10a)

Name Adaptec AIC-7899 Ultra160/m PCI SCSI Card
Caption Adaptec AIC-7899 Ultra160/m PCI SCSI Card
Driver adpu160m
Status OK

PNP Device ID

PCI\VEN_9005&DEV_00CF&SUBSYS_00CE1028&REV_01\3&1070020&0&11
Device ID PCI\VEN_9005&DEV_00CF&SUBSYS_00CE1028&REV_01\3&1070020&0&11
Device Map Not Available
Index Not Available
Max Number Controlled Not Available
IRQ Number 31
I/O Port 0xD800-0xD8FF
Driver c:\winnt\system32\drivers\adpu160m.sys (64432, v3.10a)

[Printing]

Name Port Name Server Name
No printing information

[Problem Devices]

Device	PNP Device ID	Error Code
Intel 8255x-based PCI Ethernet Adapter (10/100)	PCI\VEN_8086&DEV_1229&SUBSYS_009B1028&REV_08\3&13C0B0C5&0&10	22
cLAN Host Adapter	PCI\VEN_135B&DEV_0001&SUBSYS_00000000&REV_00\3&1070020&0&20	22

[USB]

Device PNP Device ID
No USB Devices

[Software Environment]

[Following are sub-categories of this main category]

[Drivers]

Name	Description	File	Type	Started	Start Mode	State	Status
	Error Control		Accept	Pause	Accept	Stop	
abiosdsk	Abiosdsk		Not Available		Kernel Driver		False
	Disabled	Stopped	OK	Ignore	False	False	

Appendix C – Tunable Parameters

abp480n5	abp480n5	Not Available	Kernel Driver	False			
	Disabled	Stopped	OK	Normal	False	False	
acpi	Microsoft ACPI Driver	c:\winnt\system32\drivers\acpi.sys	Kernel Driver	True	Boot	Running	OK
	Kernel Driver	True	Boot	Running	OK	Normal	False
	True						
acpiec	ACPIEC	c:\winnt\system32\drivers\acpiec.sys	Kernel Driver	False	Disabled	Stopped	OK
	Kernel Driver	False	Disabled	Stopped	OK	Normal	
	False	False					
adpu160m	adpu160m	c:\winnt\system32\drivers\adpu160m.sys	Kernel Driver	True	Boot	Running	OK
	Kernel Driver	True	Boot	Running	OK	Normal	False
	True						
afd	AFD Networking Support Environment	c:\winnt\system32\drivers\afd.sys	Kernel Driver	True	Auto		
	Running	OK	Normal	False	True		
	Running	OK	Normal	False	True		
aha154x	Aha154x	Not Available	Kernel Driver	False			
	Disabled	Stopped	OK	Normal	False	False	
aic116x	aic116x	Not Available	Kernel Driver	False			
	Disabled	Stopped	OK	Normal	False	False	
aic78u2	aic78u2	Not Available	Kernel Driver	False			
	Disabled	Stopped	OK	Normal	False	False	
aic78xx	aic78xx	Not Available	Kernel Driver	False			
	Disabled	Stopped	OK	Normal	False	False	
ami0nt	ami0nt	Not Available	Kernel Driver	False			
	Disabled	Stopped	OK	Normal	False	False	
amsint	amsint	Not Available	Kernel Driver	False			
	Disabled	Stopped	OK	Normal	False	False	
asc	asc	Not Available	Kernel Driver	False	Disabled		
	Stopped	OK	Normal	False	False		
asc3350p	asc3350p	Not Available	Kernel Driver	False			
	Disabled	Stopped	OK	Normal	False	False	
asc3550	asc3550	Not Available	Kernel Driver	False			
	Disabled	Stopped	OK	Normal	False	False	
asynctmac	RAS Asynchronous Media Driver	c:\winnt\system32\drivers\asynctmac.sys	Kernel Driver	False			
	Manual	Stopped	OK	Normal	False	False	
atapi	Standard IDE/ESDI Hard Disk Controller	c:\winnt\system32\drivers\atapi.sys	Kernel Driver	True	Boot		
	Running	OK	Normal	False	True		
atdisk	Atdisk	Not Available	Kernel Driver	False			
	Disabled	Stopped	OK	Ignore	False	False	
atirage3	atirage3	c:\winnt\system32\drivers\atimpab.sys	Kernel Driver	True	Manual	Running	OK
	Kernel Driver	True	Manual	Running	OK	Ignore	
	False	True					
atmarpc	ATM ARP Client Protocol	c:\winnt\system32\drivers\atmarpc.sys	Kernel Driver	False			
	Manual	Stopped	OK	Normal	False	False	
audstub	Audio Stub Driver	c:\winnt\system32\drivers\audstub.sys	Kernel Driver	True	Manual	Running	OK
	Kernel Driver	True	Manual	Running	OK	Normal	
	False	True					
beep	Beep	c:\winnt\system32\drivers\beep.sys	Kernel Driver	True			
	System	Running	OK	Normal	False	True	
buslogic	BusLogic	Not Available	Kernel Driver	False			
	Disabled	Stopped	OK	Normal	False	False	
cd20xrnt	cd20xrnt	Not Available	Kernel Driver	False			
	Disabled	Stopped	OK	Normal	False	False	

Appendix C – Tunable Parameters

```

cdaudio      Cdaudio      c:\winnt\system32\drivers\cdaudio.sys
             Kernel Driver  False System      Stopped      OK      Ignore
             False False

cdfs         CdFs         c:\winnt\system32\drivers\cdfs.sys  File System Driver
             True  Disabled  Running      OK      Normal      False True

cdrom        CD-ROM Driver  c:\winnt\system32\drivers\cdrom.sys Kernel
Driver      True  System      Running      OK      Normal      False True

changer      Changer      Not Available  Kernel Driver  False
             System      Stopped      OK      Ignore      False False

cpqarray     Cpqarray     Not Available  Kernel Driver  False
             Disabled  Stopped      OK      Normal      False False

cpqarray2    cpqarray2    Not Available  Kernel Driver  False
             Disabled  Stopped      OK      Normal      False False

cpqfcalm     cpqfcalm     Not Available  Kernel Driver  False
             Disabled  Stopped      OK      Normal      False False

cpqfws2e     cpqfws2e     Not Available  Kernel Driver  False
             Disabled  Stopped      OK      Normal      False False

dac960nt     dac960nt     Not Available  Kernel Driver  False
             Disabled  Stopped      OK      Normal      False False

deckzpsx     deckzpsx     Not Available  Kernel Driver  False
             Disabled  Stopped      OK      Normal      False False

dfsdriver    DfsDriver    c:\winnt\system32\drivers\dfs.sys  File System
Driver      True  Boot  Running      OK      Normal      False True

disk         Disk Driver   c:\winnt\system32\drivers\disk.sys  Kernel Driver
             True  Boot  Running      OK      Normal      False True

diskperf     Diskperf     c:\winnt\system32\drivers\diskperf.sys
Kernel Driver  True  Boot  Running      OK      Normal      False
             True

dmboot       dmboot       c:\winnt\system32\drivers\dmboot.sys
Kernel Driver  False Disabled  Stopped      OK      Normal
             False False

dmio         Logical Disk Manager Driver  c:\winnt\system32\drivers\dmio.sys
Kernel Driver  True  Boot  Running      OK      Normal      False
             True

dmload       dmload       c:\winnt\system32\drivers\dmload.sys
Kernel Driver  True  Boot  Running      OK      Normal      False
             True

e100b        Intel PRO Adapter Driver
             c:\winnt\system32\drivers\e100bnt5.sys  Kernel Driver  True
             Manual      Running      OK      Normal      False True

efs          EFS          c:\winnt\system32\drivers\efs.sys  File System Driver
             True  Disabled  Running      OK      Normal      False True

fastfat      Fastfat      c:\winnt\system32\drivers\fastfat.sys  File
System Driver  True  Disabled  Running      OK      Normal      False
             True

fd16_700     Fd16_700     Not Available  Kernel Driver  False
             Disabled  Stopped      OK      Normal      False False

fdc          Floppy Disk Controller Driver  c:\winnt\system32\drivers\fdc.sys
Kernel Driver  True  Manual      Running      OK      Normal
             False True

fireport     fireport     Not Available  Kernel Driver  False
             Disabled  Stopped      OK      Normal      False False

flashpnt     flashpnt     Not Available  Kernel Driver  False
             Disabled  Stopped      OK      Normal      False False

```

Appendix C – Tunable Parameters

```

flpydisk    Floppy Disk Driver
             c:\winnt\system32\drivers\flpydisk.sys    Kernel Driver    True
             Manual    Running    OK    Normal    False True
ftdisk      Volume Manager Driver
             c:\winnt\system32\drivers\ftdisk.sys      Kernel Driver    True
             Boot    Running    OK    Normal    False True
gnindis     cLAN NDIS Driver    c:\winnt\system32\drivers\gnindis.sys
             Kernel Driver    False Auto    Stopped    OK    Normal    False
             False
gnivia      cLAN VIA Driver    c:\winnt\system32\drivers\gnivia.sys
             Kernel Driver    True Auto    Running    OK    Normal    False
             True
gpc         Generic Packet Classifier    c:\winnt\system32\drivers\msgpc.sys
             Kernel Driver    True Manual    Running    OK    Normal
             False True
i8042prt    i8042 Keyboard and PS/2 Mouse Port Driver
             c:\winnt\system32\drivers\i8042prt.sys    Kernel Driver    True
             System    Running    OK    Normal    False True
ini910u     ini910u    Not Available    Kernel Driver    False
             Disabled    Stopped    OK    Normal    False False
intelide    IntelIde    Not Available    Kernel Driver    False
             Disabled    Stopped    OK    Normal    False False
ipfilterdriver    IP Traffic Filter Driver
             c:\winnt\system32\drivers\ipfltdrv.sys    Kernel Driver    False
             Manual    Stopped    OK    Normal    False False
ipinip      IP in IP Tunnel Driver
             c:\winnt\system32\drivers\ipinip.sys      Kernel Driver    False
             Manual    Stopped    OK    Normal    False False
ipnat       IP Network Address Translator    c:\winnt\system32\drivers\ipnat.sys
             Kernel Driver    False Manual    Stopped    OK    Normal
             False False
ipsec       IPSEC driver    c:\winnt\system32\drivers\ipsec.sys Kernel
Driver      False Manual    Stopped    OK    Normal    False False
ipsraidn    ipsraidn    Not Available    Kernel Driver    False
             Disabled    Stopped    OK    Normal    False False
isapnp      PnP ISA/EISA Bus Driver
             c:\winnt\system32\drivers\isapnp.sys      Kernel Driver    True
             Boot    Running    OK    Critical    False True
kbdclass    Keyboard Class Driver
             c:\winnt\system32\drivers\kbdclass.sys    Kernel Driver    True
             System    Running    OK    Normal    False True
ksecdd      KSecDD    c:\winnt\system32\drivers\ksecdd.sys
             Kernel Driver    True Boot    Running    OK    Normal    False
             True
lbrtfdc     lbrtfdc    Not Available    Kernel Driver    False
             System    Stopped    OK    Ignore    False False
lp6nds35    lp6nds35    Not Available    Kernel Driver    False
             Disabled    Stopped    OK    Normal    False False
mnmdd       mnmdd    c:\winnt\system32\drivers\mnmdd.sys Kernel Driver    True
             System    Running    OK    Ignore    False True
modem       Modem    c:\winnt\system32\drivers\modem.sys Kernel Driver    False
             Manual    Stopped    OK    Ignore    False False
mouclass    Mouse Class Driver
             c:\winnt\system32\drivers\mouclass.sys    Kernel Driver    True
             System    Running    OK    Normal    False True

```


Appendix C – Tunable Parameters

```

mountmgr      MountMgr      c:\winnt\system32\drivers\mountmgr.sys
              Kernel Driver      True Boot Running      OK      Normal      False
              True
mraid35x     mraid35x     Not Available      Kernel Driver      False
              Disabled      Stopped      OK      Normal      False False
mrxsmb       MRXSMB       c:\winnt\system32\drivers\mrxsmb.sys      File
System Driver      True System      Running      OK      Normal      False
              True
msfs         Msfs         c:\winnt\system32\drivers\msfs.sys      File System Driver
              True System      Running      OK      Normal      False True
mskssrv      Microsoft Streaming Service Proxy
              c:\winnt\system32\drivers\mskssrv.sys      Kernel Driver      False
              Manual      Stopped      OK      Normal      False False
mspclock     Microsoft Streaming Clock Proxy
              c:\winnt\system32\drivers\mspclock.sys      Kernel Driver      False
              Manual      Stopped      OK      Normal      False False
mspqm        Microsoft Streaming Quality Manager Proxy
              c:\winnt\system32\drivers\mspqm.sys      Kernel Driver      False
              Manual      Stopped      OK      Normal      False False
mup          Mup          c:\winnt\system32\drivers\mup.sys      File System Driver
              True Boot Running      OK      Normal      False True
ncrc710      Ncrc710      Not Available      Kernel Driver      False
              Disabled      Stopped      OK      Normal      False False
ndis         NDIS System Driver      c:\winnt\system32\drivers\ndis.sys
              Kernel Driver      True Boot Running      OK      Normal      False
              True
ndistapi     Remote Access NDIS TAPI Driver
              c:\winnt\system32\drivers\ndistapi.sys      Kernel Driver      True
              Manual      Running      OK      Normal      False True
ndiswan      Remote Access NDIS WAN Driver
              c:\winnt\system32\drivers\ndiswan.sys      Kernel Driver      True
              Manual      Running      OK      Normal      False True
ndproxy      NDIS Proxy   c:\winnt\system32\drivers\ndproxy.sys
              Kernel Driver      True Manual      Running      OK      Normal
              False True
netbios      NetBIOS Interface      c:\winnt\system32\drivers\netbios.sys
              File System Driver      True System      Running      OK
              Normal      False True
netbt        NetBios over Tcpip      c:\winnt\system32\drivers\netbt.sys
              Kernel Driver      True System      Running      OK      Normal
              False True
netdetect    NetDetect    c:\winnt\system32\drivers\netdetect.sys
              Kernel Driver      False Manual      Stopped      OK      Normal
              False False
npfs         Npfs         c:\winnt\system32\drivers\npfs.sys      File System Driver
              True System      Running      OK      Normal      False True
ntfs         Ntfs         c:\winnt\system32\drivers\ntfs.sys      File System Driver
              True Disabled      Running      OK      Normal      False True
null         Null         c:\winnt\system32\drivers\null.sys      Kernel Driver      True
              System      Running      OK      Normal      False True
nwlkflt      IPX Traffic Filter Driver
              c:\winnt\system32\drivers\nwlkflt.sys      Kernel Driver      False
              Manual      Stopped      OK      Normal      False False

```

Appendix C – Tunable Parameters

nwlkfw	IPX Traffic Forwarder Driver							
	c:\winnt\system32\drivers\nwlkfw.sys	Kernel Driver	False					
	Manual Stopped OK Normal	False	False					
openhci	Microsoft USB Open Host Controller Driver							
	c:\winnt\system32\drivers\openhci.sys	Kernel Driver	False					
	Manual Stopped OK Normal	False	False					
parallel	Parallel class driver							
	c:\winnt\system32\drivers\parallel.sys	Kernel Driver	True					
	Manual Running OK Normal	False	True					
parport	Parallel port driver							
	c:\winnt\system32\drivers\parport.sys	Kernel Driver	True					
	System Running OK Ignore	False	True					
partmgr	PartMgr	c:\winnt\system32\drivers\partmgr.sys						
	Kernel Driver	True	Boot	Running	OK	Normal		False
	True							
parvdm	ParVdm	c:\winnt\system32\drivers\parvdm.sys						
	Kernel Driver	True	Auto	Running	OK	Ignore		False
	True							
pci	PCI Bus Driver	c:\winnt\system32\drivers\pci.sys	Kernel					
Driver	True	Boot	Running	OK	Critical	False	True	
pcidump	PCIDump	Not Available	Kernel Driver	False				
	System Stopped OK Ignore	False	False					
pciide	PCIIde	c:\winnt\system32\drivers\pciide.sys						
	Kernel Driver	True	Boot	Running	OK	Normal		False
	True							
pcmcia	Pcmcia	c:\winnt\system32\drivers\pcmcia.sys						
	Kernel Driver	False	Disabled	Stopped	OK	Normal		
	False	False						
pdcomp	PDCOMP	Not Available	Kernel Driver	False				
	Manual Stopped OK Ignore	False	False					
pdframe	PDFRAME	Not Available	Kernel Driver	False				
	Manual Stopped OK Ignore	False	False					
pdreli	PDRELI	Not Available	Kernel Driver	False				
	Manual Stopped OK Ignore	False	False					
pdrframe	PDRFRAME	Not Available	Kernel Driver	False				
	Manual Stopped OK Ignore	False	False					
pptpminiport	WAN Miniport (PPTP)							
	c:\winnt\system32\drivers\raspptp.sys	Kernel Driver	True					
	Manual Running OK Normal	False	True					
ptilink	Direct Parallel Link Driver							
	c:\winnt\system32\drivers\ptilink.sys	Kernel Driver	True					
	Manual Running OK Normal	False	True					
ql1080	ql1080	Not Available	Kernel Driver	False				
	Disabled Stopped OK Normal	False	False					
ql10wnt	Ql10wnt	Not Available	Kernel Driver	False				
	Disabled Stopped OK Normal	False	False					
ql1240	ql1240	Not Available	Kernel Driver	False				
	Disabled Stopped OK Normal	False	False					
ql2100	ql2100	Not Available	Kernel Driver	False				
	Disabled Stopped OK Normal	False	False					
rasacd	Remote Access Auto Connection Driver							
	c:\winnt\system32\drivers\rasacd.sys	Kernel Driver	True					
	System Running OK Normal	False	True					

Appendix C – Tunable Parameters

```

rasl2tp      WAN Miniport (L2TP)
             c:\winnt\system32\drivers\rasl2tp.sys      Kernel Driver      True
             Manual      Running      OK      Normal      False True
raspti      Direct Parallel      c:\winnt\system32\drivers\raspti.sys
             Kernel Driver      True      Manual      Running      OK      Normal
             False True
rca         Microsoft Streaming Network Raw Channel Access
             c:\winnt\system32\drivers\rca.sys      Kernel Driver      False
             Manual      Stopped      OK      Normal      False False
rdbss      Rdbss      c:\winnt\system32\drivers\rdbss.sys      File System Driver
             True      System      Running      OK      Normal      False True
rdpwd      RDPWD      c:\winnt\system32\drivers\rdpwd.sys      Kernel Driver      False
             Manual      Stopped      OK      Ignore      False False
redbook    Digital CD Audio Playback Filter Driver
             c:\winnt\system32\drivers\redbook.sys      Kernel Driver      False
             System      Stopped      OK      Normal      False False
serenum    Serenum Filter Driver
             c:\winnt\system32\drivers\serenum.sys      Kernel Driver      True
             Manual      Running      OK      Normal      False True
serial     Serial port driver
             c:\winnt\system32\drivers\serial.sys      Kernel Driver      True
             System      Running      OK      Ignore      False True
sfloppy    Sfloppy      c:\winnt\system32\drivers\sfloppy.sys
             Kernel Driver      False      System      Stopped      OK      Ignore
             False False
sglfb     sglfb      Not Available      Kernel Driver      False      System
             Stopped      OK      Normal      False False
simbad    Simbad      Not Available      Kernel Driver      False
             Disabled      Stopped      OK      Normal      False False
sparrow   Sparrow      Not Available      Kernel Driver      False
             Disabled      Stopped      OK      Normal      False False
spud      Special Purpose Utility Driver
             c:\winnt\system32\drivers\spud.sys      Kernel Driver      True
             Manual      Running      OK      Normal      False True
srv       Srv      c:\winnt\system32\drivers\srv.sys      File System Driver
             True      Manual      Running      OK      Normal      False True
swenum    Software Bus Driver
             c:\winnt\system32\drivers\swenum.sys      Kernel Driver      True
             Manual      Running      OK      Normal      False True
symc810   symc810      Not Available      Kernel Driver      False
             Disabled      Stopped      OK      Normal      False False
symc8xx   symc8xx      Not Available      Kernel Driver      False
             Disabled      Stopped      OK      Normal      False False
sym_hi    sym_hi      Not Available      Kernel Driver      False
             Disabled      Stopped      OK      Normal      False False
tcpip     TCP/IP Protocol Driver      c:\winnt\system32\drivers\tcpip.sys
             Kernel Driver      True      System      Running      OK      Normal
             False True
tdasync   TDASYNC      c:\winnt\system32\drivers\tdasync.sys
             Kernel Driver      False      Manual      Stopped      OK      Ignore
             False False
tdipx     TDIPX      c:\winnt\system32\drivers\tdipx.sys      Kernel Driver      False
             Manual      Stopped      OK      Ignore      False False

```

Appendix C – Tunable Parameters

```

tdnetb      TDNETB      c:\winnt\system32\drivers\tdnetb.sys
            Kernel Driver  False Manual      Stopped      OK      Ignore
            False False

tdpipe      TDPIPE      c:\winnt\system32\drivers\tdpipe.sys
            Kernel Driver  False Manual      Stopped      OK      Ignore
            False False

tdspix      TDSPX      c:\winnt\system32\drivers\tdspix.sys Kernel Driver      False
            Manual      Stopped      OK      Ignore      False False

tdtcp      TDTCP      c:\winnt\system32\drivers\tdtcp.sys Kernel Driver      False
            Manual      Stopped      OK      Ignore      False False

termdd      Terminal Device Driver
            c:\winnt\system32\drivers\termdd.sys      Kernel Driver      False
            Disabled Stopped      OK      Normal      False False

tga      tga      Not Available      Kernel Driver      False System
            Stopped      OK      Ignore      False False

udfs      Udfs      c:\winnt\system32\drivers\udfs.sys      File System Driver
            False Disabled Stopped      OK      Normal      False False

ultra66      ultra66      Not Available      Kernel Driver      False
            Disabled Stopped      OK      Normal      False False

update      Microcode Update Driver
            c:\winnt\system32\drivers\update.sys      Kernel Driver      True
            Manual      Running      OK      Normal      False True

usbhub      Microsoft USB Standard Hub Driver
            c:\winnt\system32\drivers\usbhub.sys      Kernel Driver      False
            Manual      Stopped      OK      Normal      False False

vgasave      VgaSave      c:\winnt\system32\drivers\vga.sys      Kernel
Driver      True System      Running      OK      Ignore      False True

wanarp      Remote Access IP ARP Driver
            c:\winnt\system32\drivers\wanarp.sys      Kernel Driver      True
            Manual      Running      OK      Normal      False True

wdica      WDICA      Not Available      Kernel Driver      False Manual
            Stopped      OK      Ignore      False False

```

[Environment Variables]

```

Variable      Value User Name
ComSpec      %SystemRoot%\system32\cmd.exe <SYSTEM>
NUMBER_OF_PROCESSORS      1      <SYSTEM>
OS      Windows_NT <SYSTEM>
Os2LibPath      %SystemRoot%\system32\os2\dll;      <SYSTEM>
Path
            C:\MKS\mksnt;C:\WINNT\system32;C:\WINNT;C:\WINNT\System32\Wbem;C:
\Program Files\Microsoft SQL
Server\80\Tools\BINN;C:\SQL_2K~1\x86\bin;.;      <SYSTEM>
PATHEXT      .COM;.EXE;.BAT;.CMD;.VBS;.VBE;.JS;.JSE;.WSF;.WSH
            <SYSTEM>
PROCESSOR_ARCHITECTURE      x86      <SYSTEM>
PROCESSOR_IDENTIFIER      x86 Family 6 Model 8 Stepping 6, GenuineIntel
            <SYSTEM>
PROCESSOR_LEVEL      6      <SYSTEM>
PROCESSOR_REVISION      0806 <SYSTEM>
TEMP      %SystemRoot%\TEMP <SYSTEM>
TMP      %SystemRoot%\TEMP <SYSTEM>
windir      %SystemRoot%      <SYSTEM>
ROOTDIR      C:/MKS      <SYSTEM>

```

Appendix C – Tunable Parameters

```
SHELL C:/MKS/mksnt/sh.exe <SYSTEM>
HOME C:/ <SYSTEM>
TMPDIR C:/WINNT/TEMP <SYSTEM>
TEMP %USERPROFILE%\Local Settings\Temp CLIENT2\Administrator
TMP %USERPROFILE%\Local Settings\Temp CLIENT2\Administrator
```

[Jobs]

[Following are sub-categories of this main category]

[Print]

Document	Size	Owner	Notify	Status	Time Submitted	Start
Time	Until	Time	Elapsed	Time	Pages Printed	Job ID
Queue	Priority	Parameters	Driver	Name	Print Processor	Host
Data	Type	Name				Print
Unknown	Unknown	Unknown	Unknown	Unknown	Unknown	Unknown
	Unknown	Unknown	Unknown	Unknown	Unknown	
	Unknown	Unknown	Unknown	Unknown	Unknown	
	Unknown	Unknown				

[Network Connections]

Local Name	Remote Name	Type	Status	User Name
No network connections information				

[Running Tasks]

Name	Path	Process ID	Priority	Min	Working Set	Max
	Start Time	Version	Size	File	Date	
system	idle	process	Not Available	0	0	Not Available
			Not Available	Unknown		Unknown
		Unknown				
system			Not Available	8	8	0
Available			Unknown	Unknown		1413120
smss.exe	c:\winnt\system32\smss.exe			160	11	204800
	1413120	5/23/2002	3:10:38 PM	5.00.2170.1	44.27 KB	(45,328 bytes)
		12/7/1999	6:00:00 AM			
csrss.exe			Not Available	184	13	Not Available
Available			5/23/2002	3:10:44 PM	Unknown	Unknown
winlogon.exe	c:\winnt\system32\winlogon.exe			204	13	
	204800	1413120	5/23/2002	3:10:45 PM	5.00.2182.1	
				173.27 KB	(177,424 bytes)	12/7/1999
						6:00:00 AM
services.exe	c:\winnt\system32\services.exe			232	9	
	204800	1413120	5/23/2002	3:10:47 PM	5.00.2134.1	86.77 KB
						(88,848 bytes)
						12/7/1999
						6:00:00 AM
lsass.exe	c:\winnt\system32\lsass.exe			244	13	204800
	1413120	5/23/2002	3:10:47 PM	5.00.2184.1	32.77 KB	(33,552 bytes)
						12/7/1999
						6:00:00 AM
svchost.exe	c:\winnt\system32\svchost.exe			392	8	204800
	1413120	5/23/2002	3:10:51 PM	5.00.2134.1	7.77 KB	(7,952 bytes)
						12/7/1999
						6:00:00 AM
msdtc.exe	c:\winnt\system32\msdtc.exe			420	8	204800
	1413120	5/23/2002	3:10:52 PM	1999.9.3421.3	6.77 KB	
						(6,928 bytes)
						2/16/2001
						5:17:10 AM

Appendix C – Tunable Parameters

```

tcpsvcs.exe c:\winnt\system32\tcpsvcs.exe 544 8 204800
1413120 5/23/2002 3:10:56 PM 5.00.2134.1 24.77 KB (25,360
bytes) 12/7/1999 6:00:00 AM
winmgmt.exe c:\winnt\system32\wbem\winmgmt.exe 556 8 204800
1413120 5/23/2002 3:10:56 PM 1.50.1085.0001 188.05 KB
(192,567 bytes) 12/7/1999 6:00:00 AM
inetinfo.exe c:\winnt\system32\inetinfo.exe 580 8
204800 1413120 5/23/2002 3:10:57 PM 5.00.0984 14.27
KB (14,608 bytes) 2/16/2001 5:17:51 AM
explorer.exe c:\winnt\explorer.exe 668 8 204800
1413120 5/23/2002 3:11:05 PM 5.00.2920.0000 232.77 KB
(238,352 bytes) 12/7/1999 6:00:00 AM
svchost.exe c:\winnt\system32\svchost.exe 864 8 204800
1413120 5/23/2002 3:11:25 PM 5.00.2134.1 7.77 KB (7,952
bytes) 12/7/1999 6:00:00 AM
svchost.exe c:\winnt\system32\svchost.exe 796 8 204800
1413120 5/23/2002 3:11:28 PM 5.00.2134.1 7.77 KB (7,952
bytes) 12/7/1999 6:00:00 AM
dllhost.exe Not Available 1020 8 Not Available Not
Available 5/23/2002 3:13:51 PM Unknown Unknown Unknown
dllhost.exe Not Available 828 8 Not Available Not
Available 5/23/2002 3:13:54 PM Unknown Unknown Unknown
sh.exe c:\mks\mksnt\sh.exe 644 8 204800 1413120
5/23/2002 3:14:10 PM 5.2 build 64 271.50 KB (278,016
bytes) 2/16/2001 4:08:14 PM
mmc.exe c:\winnt\system32\mmc.exe 888 8 204800
1413120 5/24/2002 4:38:06 PM 5.00.2153.1 589.27 KB
(603,408 bytes) 12/7/1999 6:00:00 AM
rsvp.exe c:\winnt\system32\rsvp.exe 1852 8 204800
1413120 5/24/2002 4:38:41 PM 5.00.2167.1 172.77 KB
(176,912 bytes) 12/7/1999 6:00:00 AM

```

[Loaded Modules]

```

Name Version Size File Date Manufacturer Path
traffic.dll 5.00.2139.1 30.77 KB (31,504 bytes) 12/7/1999 6:00:00 AM
Microsoft Corporation c:\winnt\system32\traffic.dll
rsvp.exe 5.00.2167.1 172.77 KB (176,912 bytes) 12/7/1999 6:00:00
AM Microsoft Corporation c:\winnt\system32\rsvp.exe
wbemprox.dll 1.50.1085.0001 40.05 KB (41,016 bytes) 12/7/1999
6:00:00 AM Microsoft Corporation c:\winnt\system32\wbem\wbemprox.dll
mlang.dll 5.00.2920.0000 510.77 KB (523,024 bytes) 12/7/1999
6:00:00 AM Microsoft Corporation c:\winnt\system32\mlang.dll
rassapi.dll 5.00.2188.1 14.27 KB (14,608 bytes) 12/7/1999 6:00:00 AM
Microsoft Corporation c:\winnt\system32\rassapi.dll
adsnt.dll 5.00.2191.1 194.27 KB (198,928 bytes) 12/7/1999 6:00:00
AM Microsoft Corporation c:\winnt\system32\adsnt.dll
dbghelp.dll 5.00.2195.1 159.27 KB (163,088 bytes) 12/7/1999 6:00:00
AM Microsoft Corporation c:\winnt\system32\dbghelp.dll
localsec.dll 5.00.2134.1 227.27 KB (232,720 bytes) 12/7/1999
6:00:00 AM Microsoft Corporation c:\winnt\system32\localsec.dll
devmgr.dll 5.00.2166.1 215.77 KB (220,944 bytes) 12/7/1999 6:00:00
AM Microsoft Corporation c:\winnt\system32\devmgr.dll
filemgmt.dll 5.00.2134.1 287.27 KB (294,160 bytes) 12/7/1999
6:00:00 AM Microsoft Corporation c:\winnt\system32\filemgmt.dll

```

Appendix C – Tunable Parameters

pdh.dll 5.00.2174.1 143.27 KB (146,704 bytes) 12/7/1999 6:00:00 AM Microsoft Corporation c:\winnt\system32\pdh.dll
smlogcfg.dll 5.00.2163.1 273.27 KB (279,824 bytes) 12/7/1999 6:00:00 AM Microsoft Corporation c:\winnt\system32\smlogcfg.dll
cabinet.dll 5.00.2147.1 54.77 KB (56,080 bytes) 12/7/1999 6:00:00 AM Microsoft Corporation c:\winnt\system32\cabinet.dll
msinfo32.dll 5.00.2177.1 312.27 KB (319,760 bytes) 2/16/2001 11:23:04 AM Microsoft Corporation c:\program files\common files\microsoft shared\msinfo\msinfo32.dll
riched20.dll 5.30.23.1200 421.27 KB (431,376 bytes) 12/7/1999 6:00:00 AM Microsoft Corporation c:\winnt\system32\riched20.dll
riched32.dll 5.00.2134.1 3.77 KB (3,856 bytes) 12/7/1999 6:00:00 AM Microsoft Corporation c:\winnt\system32\riched32.dll
els.dll 5.00.2175.1 151.27 KB (154,896 bytes) 12/7/1999 6:00:00 AM Microsoft Corporation c:\winnt\system32\els.dll
ntmsmgr.dll 1,0,0,1 427.77 KB (438,032 bytes) 12/7/1999 6:00:00 AM Microsoft Corporation and HighGround Systems, Inc. c:\winnt\system32\ntmsmgr.dll
mmfutil.dll 1.50.1085.0000 32.06 KB (32,829 bytes) 12/7/1999 6:00:00 AM Microsoft Corporation c:\winnt\system32\mmfutil.dll
logdrive.dll 1.50.1085.0000 200.06 KB (204,863 bytes) 12/7/1999 6:00:00 AM Microsoft Corporation c:\winnt\system32\logdrive.dll
dfrgres.dll 5.00.2150.1 27.50 KB (28,160 bytes) 12/7/1999 6:00:00 AM Executive Software International, Inc. c:\winnt\system32\dfrgres.dll
dfrgsnap.dll 5.00.2150.1 41.77 KB (42,768 bytes) 12/7/1999 6:00:00 AM Executive Software International, Inc. c:\winnt\system32\dfrgsnap.dll
dmdskres.dll 2191.1.296.2 119.00 KB (121,856 bytes) 12/7/1999 6:00:00 AM Microsoft Corp., VERITAS Software c:\winnt\system32\dmdskres.dll
dmutil.dll 2191.1.296.2 41.77 KB (42,768 bytes) 12/7/1999 6:00:00 AM VERITAS Software Corp. c:\winnt\system32\dmutil.dll
ntmsapi.dll 5.00.1948.1 50.27 KB (51,472 bytes) 12/7/1999 6:00:00 AM Microsoft Corporation c:\winnt\system32\ntmsapi.dll
dmdskmgr.dll 2191.1.296.2 158.77 KB (162,576 bytes) 12/7/1999 6:00:00 AM Microsoft Corp., VERITAS Software c:\winnt\system32\dmdskmgr.dll
mycomput.dll 5.00.2134.1 107.77 KB (110,352 bytes) 12/7/1999 6:00:00 AM Microsoft Corporation c:\winnt\system32\mycomput.dll
mmcndmgr.dll 5.00.2178.1 815.27 KB (834,832 bytes) 12/7/1999 6:00:00 AM Microsoft Corporation c:\winnt\system32\mmcndmgr.dll
mfc42u.dll 6.00.8665.0 972.05 KB (995,384 bytes) 12/7/1999 6:00:00 AM Microsoft Corporation c:\winnt\system32\mfc42u.dll
mmc.exe 5.00.2153.1 589.27 KB (603,408 bytes) 12/7/1999 6:00:00 AM Microsoft Corporation c:\winnt\system32\mmc.exe
sh.exe 5.2 build 64 271.50 KB (278,016 bytes) 2/16/2001 4:08:14 PM Mortice Kern Systems Inc. c:\mks\mksnt\sh.exe
tapisrv.dll 5.00.2186.1 168.77 KB (172,816 bytes) 12/7/1999 6:00:00 AM Microsoft Corporation c:\winnt\system32\tapisrv.dll
rasdlg.dll 5.00.2194.1 514.27 KB (526,608 bytes) 12/7/1999 6:00:00 AM Microsoft Corporation c:\winnt\system32\rasdlg.dll

Appendix C – Tunable Parameters

netcfgx.dll 5.00.2175.1 533.77 KB (546,576 bytes) 12/7/1999 6:00:00 AM Microsoft Corporation c:\winnt\system32\netcfgx.dll
sens.dll 5.00.2163.1 36.77 KB (37,648 bytes) 12/7/1999 6:00:00 AM Microsoft Corporation c:\winnt\system32\sens.dll
rasmans.dll 5.00.2188.1 146.77 KB (150,288 bytes) 12/7/1999 6:00:00 AM Microsoft Corporation c:\winnt\system32\rasmans.dll
netman.dll 5.00.2175.1 88.77 KB (90,896 bytes) 12/7/1999 6:00:00 AM Microsoft Corporation c:\winnt\system32\netman.dll
es.dll 1999.9.3422.21 231.77 KB (237,328 bytes) 12/7/1999 6:00:00 AM Microsoft Corporation c:\winnt\system32\es.dll
ntshrui.dll 5.00.2134.1 46.77 KB (47,888 bytes) 12/7/1999 6:00:00 AM Microsoft Corporation c:\winnt\system32\ntshrui.dll
linkinfo.dll 5.00.2134.1 15.77 KB (16,144 bytes) 12/7/1999 6:00:00 AM Microsoft Corporation c:\winnt\system32\linkinfo.dll
wininet.dll 5.00.2920.0000 456.77 KB (467,728 bytes) 12/7/1999 6:00:00 AM Microsoft Corporation c:\winnt\system32\wininet.dll
shdoclc.dll 5.00.2920.0000 324.50 KB (332,288 bytes) 12/7/1999 6:00:00 AM Microsoft Corporation c:\winnt\system32\shdoclc.dll
msi.dll 1.10.1029.0 1.71 MB (1,794,320 bytes) 12/7/1999 6:00:00 AM Microsoft Corporation c:\winnt\system32\msi.dll
powrprof.dll 5.00.2920.0000 13.27 KB (13,584 bytes) 12/7/1999 6:00:00 AM Microsoft Corporation c:\winnt\system32\powrprof.dll
batmeter.dll 5.00.2920.0000 20.27 KB (20,752 bytes) 12/7/1999 6:00:00 AM Microsoft Corporation c:\winnt\system32\batmeter.dll
stobject.dll 5.00.2144.1 81.77 KB (83,728 bytes) 12/7/1999 6:00:00 AM Microsoft Corporation c:\winnt\system32\stobject.dll
webcheck.dll 5.00.2920.0000 251.77 KB (257,808 bytes) 12/7/1999 6:00:00 AM Microsoft Corporation c:\winnt\system32\webcheck.dll
netshell.dll 5.00.2176.1 456.77 KB (467,728 bytes) 12/7/1999 6:00:00 AM Microsoft Corporation c:\winnt\system32\netshell.dll
browseui.dll 5.00.2920.0000 793.27 KB (812,304 bytes) 12/7/1999 6:00:00 AM Microsoft Corporation c:\winnt\system32\browseui.dll
shdocvw.dll 5.00.2920.0000 1.05 MB (1,104,144 bytes) 12/7/1999 6:00:00 AM Microsoft Corporation c:\winnt\system32\shdocvw.dll
explorer.exe 5.00.2920.0000 232.77 KB (238,352 bytes) 12/7/1999 6:00:00 AM Microsoft Corporation c:\winnt\explorer.exe
tpcc_com_all.dll 1, 0, 0, 1 80.00 KB (81,920 bytes) 7/2/2001 11:45:41 AM c:\inetpub\wwwroot\tpcc_c~2.dll
dbnetlib.dll 2000.080.0194.00 84.06 KB (86,082 bytes) 2/16/2001 3:52:07 PM Microsoft Corporation c:\winnt\system32\dbnetlib.dll
ntwdblib.dll 2000.080.0194.00 268.06 KB (274,489 bytes) 2/16/2001 3:52:12 PM Microsoft Corporation c:\winnt\system32\ntwdblib.dll
tpcc_dblib.dll Not Available 28.00 KB (28,672 bytes) 7/2/2001 11:45:39 AM Not Available c:\inetpub\wwwroot\tpcc_dblib.dll
tpcc_com.dll Not Available 24.00 KB (24,576 bytes) 7/2/2001 11:45:40 AM Not Available c:\inetpub\wwwroot\tpcc_com.dll
tpcc.dll 0, 4, 0, 0 92.00 KB (94,208 bytes) 7/2/2001 11:45:39 AM Microsoft c:\inetpub\wwwroot\tpcc.dll
iwrps.dll 5.00.2182.1 8.77 KB (8,976 bytes) 2/16/2001 5:17:56 AM Microsoft Corporation c:\winnt\system32\inetsrv\iwrps.dll

Appendix C – Tunable Parameters

wamps.dll 5.00.2159.1 7.27 KB (7,440 bytes) 2/16/2001 5:17:57 AM
Microsoft Corporation c:\winnt\system32\inetsrv\wamps.dll
wshom.ocx 5.1.0.4615 72.05 KB (73,776 bytes) 12/7/1999 6:00:00 AM
Microsoft Corporation c:\winnt\system32\wshom.ocx
wamregps.dll 5.00.2159.1 7.27 KB (7,440 bytes) 2/16/2001 5:17:52
AM Microsoft Corporation c:\winnt\system32\wamregps.dll
scrrun.dll 5.1.0.4615 144.05 KB (147,512 bytes) 12/7/1999 6:00:00
AM Microsoft Corporation c:\winnt\system32\scrrun.dll
iisext.dll 5.00.2159.1 41.77 KB (42,768 bytes) 2/16/2001 5:17:52 AM
Microsoft Corporation c:\winnt\system32\iisext.dll
adsiis.dll 5.00.2159.1 238.77 KB (244,496 bytes) 2/16/2001 5:17:52
AM Microsoft Corporation c:\winnt\system32\adsiis.dll
vbscript.dll 5.1.0.4615 428.06 KB (438,330 bytes) 12/7/1999
6:00:00 AM Microsoft Corporation c:\winnt\system32\vbscript.dll
asptxn.dll 5.00.0954 29.77 KB (30,480 bytes) 2/16/2001 5:17:55 AM
Microsoft Corporation c:\winnt\system32\inetsrv\asptxn.dll
asp.dll 5.00.0984 326.77 KB (334,608 bytes) 2/16/2001 5:17:55
AM Microsoft Corporation c:\winnt\system32\inetsrv\asp.dll
mfc42.dll 6.00.8665.0 972.05 KB (995,383 bytes) 12/7/1999 6:00:00
AM Microsoft Corporation c:\winnt\system32\mfc42.dll
wam.dll 5.00.0984 71.27 KB (72,976 bytes) 2/16/2001 5:17:57 AM
Microsoft Corporation c:\winnt\system32\inetsrv\wam.dll
odbcint.dll 3.520.6526.0 88.00 KB (90,112 bytes) 2/16/2001 3:52:03
PM Microsoft Corporation c:\winnt\system32\odbcint.dll
comdlg32.dll 5.00.2920.0000 236.77 KB (242,448 bytes)
12/7/1999 6:00:00 AM Microsoft Corporation
c:\winnt\system32\comdlg32.dll
odbc32.dll 3.520.6526.0 216.27 KB (221,456 bytes) 2/16/2001
3:52:03 PM Microsoft Corporation c:\winnt\system32\odbc32.dll
comsvcs.dll 1999.9.3422.14 1.16 MB (1,219,856 bytes) 2/16/2001
5:17:06 AM Microsoft Corporation c:\winnt\system32\comsvcs.dll
iislog.dll 5.00.0984 76.27 KB (78,096 bytes) 2/16/2001 5:17:51 AM
Microsoft Corporation c:\winnt\system32\inetsrv\iislog.dll
ntlsapi.dll 5.00.2134.1 6.77 KB (6,928 bytes) 12/7/1999 6:00:00 AM
Microsoft Corporation c:\winnt\system32\ntlsapi.dll
httpext.dll 0.9.3939.9 418.27 KB (428,304 bytes) 2/16/2001 5:17:50
AM Microsoft Corporation c:\winnt\system32\inetsrv\httpext.dll
rpcproxy.dll 5.00.2176.1 16.27 KB (16,656 bytes) 2/16/2001 5:17:05
AM Microsoft Corporation c:\winnt\system32\rpcproxy\rpcproxy.dll
fpexedll.dll 4.0.2.3406 20.06 KB (20,541 bytes) 2/16/2001 5:19:40
AM Microsoft Corporation c:\program files\common files\microsoft
shared\web server extensions\40\bin\fpexedll.dll
md5filt.dll 5.00.0984 32.77 KB (33,552 bytes) 2/16/2001 5:17:56 AM
Microsoft Corporation c:\winnt\system32\inetsrv\md5filt.dll
gzip.dll 5.00.0984 30.27 KB (30,992 bytes) 2/16/2001 5:17:56 AM
Microsoft Corporation c:\winnt\system32\inetsrv\gzip.dll
compfilt.dll 5.00.0984 22.27 KB (22,800 bytes) 2/16/2001 5:17:55
AM Microsoft Corporation c:\winnt\system32\inetsrv\compfilt.dll
sspifilt.dll 5.00.0984 43.27 KB (44,304 bytes) 2/16/2001 5:17:57
AM Microsoft Corporation c:\winnt\system32\inetsrv\sspifilt.dll
iscomlog.dll 5.00.0984 24.77 KB (25,360 bytes) 2/16/2001 5:17:51
AM Microsoft Corporation c:\winnt\system32\inetsrv\iscomlog.dll
lonsint.dll 5.00.0984 11.77 KB (12,048 bytes) 2/16/2001 5:17:51 AM
Microsoft Corporation c:\winnt\system32\inetsrv\lonsint.dll

Appendix C – Tunable Parameters

inetsloc.dll	5.00.0984	20.27 KB (20,752 bytes)	2/16/2001 5:17:52 AM
Microsoft Corporation		c:\winnt\system32\inetsloc.dll	
iisfecnv.dll	5.00.0984	7.27 KB (7,440 bytes)	2/16/2001 5:17:51 AM
Microsoft Corporation		c:\winnt\system32\inetsrv\iisfecnv.dll	
isatq.dll	5.00.0984	61.27 KB (62,736 bytes)	2/16/2001 5:17:53 AM
Microsoft Corporation		c:\winnt\system32\inetsrv\isatq.dll	
infocomm.dll	5.00.0984	234.27 KB (239,888 bytes)	2/16/2001 5:17:51 AM
Microsoft Corporation		c:\winnt\system32\inetsrv\infocomm.dll	
w3svc.dll	5.00.0984	347.27 KB (355,600 bytes)	2/16/2001 5:17:57 AM
Microsoft Corporation		c:\winnt\system32\inetsrv\w3svc.dll	
security.dll	5.00.2154.1	5.77 KB (5,904 bytes)	12/7/1999 6:00:00 AM
Microsoft Corporation		c:\winnt\system32\security.dll	
svcext.dll	5.00.0984	39.77 KB (40,720 bytes)	2/16/2001 5:17:51 AM
Microsoft Corporation		c:\winnt\system32\inetsrv\svcext.dll	
admexs.dll	5.00.0984	27.77 KB (28,432 bytes)	2/16/2001 5:17:50 AM
Microsoft Corporation		c:\winnt\system32\inetsrv\admexs.dll	
wamreg.dll	5.00.0984	46.27 KB (47,376 bytes)	2/16/2001 5:17:57 AM
Microsoft Corporation		c:\winnt\system32\inetsrv\wamreg.dll	
metadata.dll	5.00.0984	70.77 KB (72,464 bytes)	2/16/2001 5:17:51 AM
Microsoft Corporation		c:\winnt\system32\inetsrv\metadata.dll	
iismap.dll	5.00.0984	56.27 KB (57,616 bytes)	2/16/2001 5:17:52 AM
Microsoft Corporation		c:\winnt\system32\iismap.dll	
nsepm.dll	5.00.0984	43.27 KB (44,304 bytes)	2/16/2001 5:17:51 AM
Microsoft Corporation		c:\winnt\system32\inetsrv\nsepm.dll	
admwprox.dll	5.00.0984	31.77 KB (32,528 bytes)	2/16/2001 5:17:52 AM
Microsoft Corporation		c:\winnt\system32\admwprox.dll	
coadmin.dll	5.00.0984	39.77 KB (40,720 bytes)	2/16/2001 5:17:52 AM
Microsoft Corporation		c:\winnt\system32\inetsrv\coadmin.dll	
iisadmin.dll	5.00.0984	14.77 KB (15,120 bytes)	2/16/2001 5:17:50 AM
Microsoft Corporation		c:\winnt\system32\inetsrv\iisadmin.dll	
rpcref.dll	5.00.0984	4.27 KB (4,368 bytes)	2/16/2001 5:17:51 AM
Microsoft Corporation		c:\winnt\system32\inetsrv\rpcref.dll	
iisrtl.dll	5.00.0984	120.77 KB (123,664 bytes)	2/16/2001 5:17:52 AM
Microsoft Corporation		c:\winnt\system32\iisrtl.dll	
inetinfo.exe	5.00.0984	14.27 KB (14,608 bytes)	2/16/2001 5:17:51 AM
Microsoft Corporation		c:\winnt\system32\inetsrv\inetinfo.exe	
netui1.dll	5.00.2134.1	210.27 KB (215,312 bytes)	12/7/1999 6:00:00 AM
Microsoft Corporation		c:\winnt\system32\netui1.dll	
netui0.dll	5.00.2134.1	70.27 KB (71,952 bytes)	12/7/1999 6:00:00 AM
Microsoft Corporation		c:\winnt\system32\netui0.dll	
ntlanman.dll	5.00.2157.1	35.27 KB (36,112 bytes)	12/7/1999 6:00:00 AM
Microsoft Corporation		c:\winnt\system32\ntlanman.dll	
wshnetbs.dll	5.00.2134.1	7.77 KB (7,952 bytes)	12/7/1999 6:00:00 AM
Microsoft Corporation		c:\winnt\system32\wshnetbs.dll	
rapilib.dll	5.00.2167.1	25.27 KB (25,872 bytes)	12/7/1999 6:00:00 AM
Microsoft Corporation		c:\winnt\system32\rapilib.dll	
rsvpsp.dll	5.00.2167.1	74.77 KB (76,560 bytes)	12/7/1999 6:00:00 AM
Microsoft Corporation		c:\winnt\system32\rsvpsp.dll	
ntmarta.dll	5.00.2158.1	98.77 KB (101,136 bytes)	12/7/1999 6:00:00 AM
Microsoft Corporation		c:\winnt\system32\ntmarta.dll	
provthrd.dll	1.50.1085.0000	68.07 KB (69,708 bytes)	2/16/2001 11:22:56 AM
Microsoft Corporation		c:\winnt\system32\wbem\provthrd.dll	
ntevt.dll	1.50.1085.0000	192.06 KB (196,669 bytes)	12/7/1999 6:00:00 AM
Microsoft Corporation		c:\winnt\system32\wbem\ntevt.dll	

Appendix C – Tunable Parameters

perfos.dll 5.00.2155.1 21.27 KB (21,776 bytes) 12/7/1999 6:00:00 AM
Microsoft Corporation c:\winnt\system32\perfos.dll

wmi.dll 5.00.2191.1 6.27 KB (6,416 bytes) 12/7/1999 6:00:00 AM
Microsoft Corporation c:\winnt\system32\wmi.dll

psapi.dll 5.00.2134.1 28.27 KB (28,944 bytes) 12/7/1999 6:00:00 AM
Microsoft Corporation c:\winnt\system32\psapi.dll

framedyn.dll 1.50.1085.0000 164.05 KB (167,992 bytes)
12/7/1999 6:00:00 AM Microsoft Corporation
c:\winnt\system32\wbem\framedyn.dll

cimwin32.dll 1.50.1085.0000 1.03 MB (1,077,306 bytes)
12/7/1999 6:00:00 AM Microsoft Corporation
c:\winnt\system32\wbem\cimwin32.dll

wbemsvc.dll 1.50.1085.0000 140.07 KB (143,430 bytes) 12/7/1999
6:00:00 AM Microsoft Corporation c:\winnt\system32\wbem\wbemsvc.dll

wbemess.dll 1.50.1085.0001 352.05 KB (360,503 bytes) 12/7/1999
6:00:00 AM Microsoft Corporation c:\winnt\system32\wbem\wbemess.dll

fastprox.dll 1.50.1085.0001 144.08 KB (147,534 bytes)
12/7/1999 6:00:00 AM Microsoft Corporation
c:\winnt\system32\wbem\fastprox.dll

wbemcore.dll 1.50.1085.0001 632.05 KB (647,224 bytes)
12/7/1999 6:00:00 AM Microsoft Corporation
c:\winnt\system32\wbem\wbemcore.dll

wbemcomn.dll 1.50.1085.0001 684.05 KB (700,472 bytes)
12/7/1999 6:00:00 AM Microsoft Corporation
c:\winnt\system32\wbem\wbemcomn.dll

winmgmt.exe 1.50.1085.0001 188.05 KB (192,567 bytes) 12/7/1999
6:00:00 AM Microsoft Corporation c:\winnt\system32\wbem\winmgmt.exe

simptcp.dll 5.00.2134.1 19.27 KB (19,728 bytes) 2/16/2001 5:17:05 AM
Microsoft Corporation c:\winnt\system32\simptcp.dll

tcpsvcs.exe 5.00.2134.1 24.77 KB (25,360 bytes) 12/7/1999 6:00:00 AM
Microsoft Corporation c:\winnt\system32\tcpsvcs.exe

mtxoci.dll 1999.9.3421.3 109.27 KB (111,888 bytes) 2/16/2001
5:17:13 AM Microsoft Corporation c:\winnt\system32\mtxoci.dll

resutils.dll 5.00.2191.1 39.77 KB (40,720 bytes) 12/7/1999 6:00:00
AM Microsoft Corporation c:\winnt\system32\resutils.dll

clusapi.dll 5.00.2179.1 50.27 KB (51,472 bytes) 12/7/1999 6:00:00 AM
Microsoft Corporation c:\winnt\system32\clusapi.dll

msvc50.dll 5.00.7051 552.50 KB (565,760 bytes) 12/7/1999 6:00:00
AM Microsoft Corporation c:\winnt\system32\msvc50.dll

xolehlp.dll 1999.9.3421.3 17.27 KB (17,680 bytes) 2/16/2001 5:17:12
AM Microsoft Corporation c:\winnt\system32\xolehlp.dll

msdtclog.dll 1999.9.3421.3 89.77 KB (91,920 bytes) 2/16/2001
5:17:10 AM Microsoft Corporation c:\winnt\system32\msdtclog.dll

mtxclu.dll 1999.9.3421.3 50.27 KB (51,472 bytes) 12/7/1999 6:00:00
AM Microsoft Corporation c:\winnt\system32\mtxclu.dll

msdtcprx.dll 1999.9.3422.10 619.27 KB (634,128 bytes)
2/16/2001 5:17:12 AM Microsoft Corporation
c:\winnt\system32\msdtcprx.dll

txfaux.dll 1999.9.3422.24 341.27 KB (349,456 bytes) 2/16/2001
5:17:11 AM Microsoft Corporation c:\winnt\system32\txfaux.dll

msdtctm.dll 1999.9.3422.12 1.02 MB (1,070,864 bytes) 2/16/2001
5:17:12 AM Microsoft Corporation c:\winnt\system32\msdtctm.dll

msdtc.exe 1999.9.3421.3 6.77 KB (6,928 bytes) 2/16/2001 5:17:10
AM Microsoft Corporation c:\winnt\system32\msdtc.exe

Appendix C – Tunable Parameters

```
rasadhlp.dll      5.00.2168.1 7.27 KB (7,440 bytes) 12/7/1999 6:00:00
AM Microsoft Corporation c:\winnt\system32\rasadhlp.dll
winrnr.dll 5.00.2160.1 18.77 KB (19,216 bytes) 12/7/1999 6:00:00 AM
Microsoft Corporation c:\winnt\system32\winrnr.dll
dhcpcsvc.dll 5.00.2153.1 88.77 KB (90,896 bytes) 12/7/1999 6:00:00
AM Microsoft Corporation c:\winnt\system32\dhcpcsvc.dll
tapi32.dll 5.00.2182.1 123.27 KB (126,224 bytes) 12/7/1999 6:00:00
AM Microsoft Corporation c:\winnt\system32\tapi32.dll
rasman.dll 5.00.2188.1 54.77 KB (56,080 bytes) 12/7/1999 6:00:00 AM
Microsoft Corporation c:\winnt\system32\rasman.dll
rasapi32.dll 5.00.2188.1 189.77 KB (194,320 bytes) 12/7/1999
6:00:00 AM Microsoft Corporation c:\winnt\system32\rasapi32.dll
icmp.dll 5.00.2134.1 7.27 KB (7,440 bytes) 12/7/1999 6:00:00 AM
Microsoft Corporation c:\winnt\system32\icmp.dll
iphlpapi.dll 5.00.2173.2 67.77 KB (69,392 bytes) 12/7/1999 6:00:00
AM Microsoft Corporation c:\winnt\system32\iphlpapi.dll
rnr20.dll 5.00.2152.1 35.77 KB (36,624 bytes) 12/7/1999 6:00:00 AM
Microsoft Corporation c:\winnt\system32\rnr20.dll
wshtcpip.dll 5.00.2134.1 17.27 KB (17,680 bytes) 12/7/1999 6:00:00
AM Microsoft Corporation c:\winnt\system32\wshtcpip.dll
msafd.dll 5.00.2153.1 54.27 KB (55,568 bytes) 12/7/1999 6:00:00 AM
Microsoft Corporation c:\winnt\system32\msafd.dll
rpcss.dll 5.00.2181.1 229.27 KB (234,768 bytes) 12/7/1999 6:00:00
AM Microsoft Corporation c:\winnt\system32\rpcss.dll
svchost.exe 5.00.2134.1 7.77 KB (7,952 bytes) 12/7/1999 6:00:00 AM
Microsoft Corporation c:\winnt\system32\svchost.exe
iissuba.dll 5.00.0984 9.77 KB (10,000 bytes) 12/7/1999 6:00:00 AM
Microsoft Corporation c:\winnt\system32\iissuba.dll
scecli.dll 5.00.2191.1 105.27 KB (107,792 bytes) 12/7/1999 6:00:00
AM Microsoft Corporation c:\winnt\system32\scecli.dll
atl.dll 3.00.8449 57.56 KB (58,938 bytes) 12/7/1999 6:00:00 AM
Microsoft Corporation c:\winnt\system32\atl.dll
certcli.dll 5.00.2175.1 132.27 KB (135,440 bytes) 12/7/1999 6:00:00
AM Microsoft Corporation c:\winnt\system32\certcli.dll
esent.dll 6.0.3939.6 1.07 MB (1,120,016 bytes) 12/7/1999 6:00:00
AM Microsoft Corporation c:\winnt\system32\esent.dll
mswsock.dll 5.00.2152.1 62.27 KB (63,760 bytes) 12/7/1999 6:00:00 AM
Microsoft Corporation c:\winnt\system32\mswsock.dll
ntdsatq.dll 5.00.2181.1 31.27 KB (32,016 bytes) 12/7/1999 6:00:00 AM
Microsoft Corporation c:\winnt\system32\ntdsatq.dll
ntdsa.dll 5.00.2195.1 993.27 KB (1,017,104 bytes) 12/7/1999 6:00:00
AM Microsoft Corporation c:\winnt\system32\ntdsa.dll
kdcsvc.dll 5.00.2181.1 133.77 KB (136,976 bytes) 12/7/1999 6:00:00
AM Microsoft Corporation c:\winnt\system32\kdcsvc.dll
sfmapi.dll 5.00.2134.1 38.77 KB (39,696 bytes) 12/7/1999 6:00:00 AM
Microsoft Corporation c:\winnt\system32\sfmapi.dll
rtutils.dll 5.00.2168.1 43.77 KB (44,816 bytes) 12/7/1999 6:00:00 AM
Microsoft Corporation c:\winnt\system32\rtutils.dll
adslrpc.dll 5.00.2172.1 127.77 KB (130,832 bytes) 12/7/1999 6:00:00
AM Microsoft Corporation c:\winnt\system32\adslrpc.dll
activeds.dll 5.00.2172.1 172.77 KB (176,912 bytes) 12/7/1999
6:00:00 AM Microsoft Corporation c:\winnt\system32\activeds.dll
mprapi.dll 5.00.2181.1 79.27 KB (81,168 bytes) 12/7/1999 6:00:00 AM
Microsoft Corporation c:\winnt\system32\mprapi.dll
```

Appendix C – Tunable Parameters

```
rassfm.dll 5.00.2168.1 21.27 KB (21,776 bytes) 12/7/1999 6:00:00 AM
Microsoft Corporation c:\winnt\system32\rassfm.dll
mpr.dll 5.00.2146.1 53.27 KB (54,544 bytes) 12/7/1999 6:00:00 AM
Microsoft Corporation c:\winnt\system32\mpr.dll
schannel.dll 5.00.2170.1 139.77 KB (143,120 bytes) 12/7/1999
6:00:00 AM Microsoft Corporation c:\winnt\system32\schannel.dll
netlogon.dll 5.00.2182.1 347.77 KB (356,112 bytes) 12/7/1999
6:00:00 AM Microsoft Corporation c:\winnt\system32\netlogon.dll
msv1_0.dll 5.00.2164.1 94.77 KB (97,040 bytes) 12/7/1999 6:00:00 AM
Microsoft Corporation c:\winnt\system32\msv1_0.dll
kerberos.dll 5.00.2181.1 196.77 KB (201,488 bytes) 12/7/1999
6:00:00 AM Microsoft Corporation c:\winnt\system32\kerberos.dll
msprivs.dll 5.00.2154.1 41.50 KB (42,496 bytes) 12/7/1999 6:00:00 AM
Microsoft Corporation c:\winnt\system32\msprivs.dll
samsrv.dll 5.00.2192.1 357.77 KB (366,352 bytes) 12/7/1999 6:00:00
AM Microsoft Corporation c:\winnt\system32\samsrv.dll
lsasrv.dll 5.00.2184.1 487.77 KB (499,472 bytes) 12/7/1999 6:00:00
AM Microsoft Corporation c:\winnt\system32\lsasrv.dll
lsass.exe 5.00.2184.1 32.77 KB (33,552 bytes) 12/7/1999 6:00:00 AM
Microsoft Corporation c:\winnt\system32\lsass.exe
wmicore.dll 5.00.2178.1 70.77 KB (72,464 bytes) 12/7/1999 6:00:00 AM
Microsoft Corporation c:\winnt\system32\wmicore.dll
psbase.dll 5.00.2146.1 111.77 KB (114,448 bytes) 12/7/1999 6:00:00
AM Microsoft Corporation c:\winnt\system32\psbase.dll
cryptsvc.dll 5.00.2181.1 61.77 KB (63,248 bytes) 12/7/1999 6:00:00
AM Microsoft Corporation c:\winnt\system32\cryptsvc.dll
cryptdll.dll 5.00.2135.1 41.27 KB (42,256 bytes) 12/7/1999 6:00:00
AM Microsoft Corporation c:\winnt\system32\cryptdll.dll
wkssvc.dll 5.00.2181.1 95.27 KB (97,552 bytes) 12/7/1999 6:00:00 AM
Microsoft Corporation c:\winnt\system32\wkssvc.dll
srvsvc.dll 5.00.2178.1 79.27 KB (81,168 bytes) 12/7/1999 6:00:00 AM
Microsoft Corporation c:\winnt\system32\srvsvc.dll
cfgmgr32.dll 5.00.2134.1 16.77 KB (17,168 bytes) 12/7/1999 6:00:00
AM Microsoft Corporation c:\winnt\system32\cfgmgr32.dll
dmserver.dll 2191.1.296.2 11.77 KB (12,048 bytes) 12/7/1999
6:00:00 AM VERITAS Software Corp. c:\winnt\system32\dmserver.dll
winsta.dll 5.00.2134.1 36.27 KB (37,136 bytes) 12/7/1999 6:00:00 AM
Microsoft Corporation c:\winnt\system32\winsta.dll
eventlog.dll 5.00.2178.1 43.77 KB (44,816 bytes) 12/7/1999 6:00:00
AM Microsoft Corporation c:\winnt\system32\eventlog.dll
ntdsapi.dll 5.00.2160.1 56.27 KB (57,616 bytes) 12/7/1999 6:00:00 AM
Microsoft Corporation c:\winnt\system32\ntdsapi.dll
scesrv.dll 5.00.2188.1 225.77 KB (231,184 bytes) 12/7/1999 6:00:00
AM Microsoft Corporation c:\winnt\system32\scesrv.dll
umpnpgmgr.dll 5.00.2182.1 86.27 KB (88,336 bytes) 12/7/1999 6:00:00
AM Microsoft Corporation c:\winnt\system32\umpnpgmgr.dll
services.exe 5.00.2134.1 86.77 KB (88,848 bytes) 12/7/1999 6:00:00
AM Microsoft Corporation c:\winnt\system32\services.exe
clbcatq.dll 1999.9.3422.14 479.27 KB (490,768 bytes) 2/16/2001
5:17:05 AM Microsoft Corporation c:\winnt\system32\clbcatq.dll
oleaut32.dll 2.40.4512 600.27 KB (614,672 bytes) 12/7/1999
6:00:00 AM Microsoft Corporation c:\winnt\system32\oleaut32.dll
cscui.dll 5.00.2172.1 227.27 KB (232,720 bytes) 12/7/1999 6:00:00
AM Microsoft Corporation c:\winnt\system32\cscui.dll
```

Appendix C – Tunable Parameters

winspool.drv 5.00.2167.1 109.77 KB (112,400 bytes) 12/7/1999 6:00:00 AM Microsoft Corporation c:\winnt\system32\winspool.drv
winscard.dll 5.00.2134.1 77.27 KB (79,120 bytes) 12/7/1999 6:00:00 AM Microsoft Corporation c:\winnt\system32\winscard.dll
wlnotify.dll 5.00.2164.1 53.27 KB (54,544 bytes) 12/7/1999 6:00:00 AM Microsoft Corporation c:\winnt\system32\wlnotify.dll
cscdll.dll 5.00.2189.1 98.27 KB (100,624 bytes) 12/7/1999 6:00:00 AM Microsoft Corporation c:\winnt\system32\cscdll.dll
lz32.dll 5.00.2134.1 9.77 KB (10,000 bytes) 12/7/1999 6:00:00 AM Microsoft Corporation c:\winnt\system32\lz32.dll
version.dll 5.00.2134.1 15.77 KB (16,144 bytes) 12/7/1999 6:00:00 AM Microsoft Corporation c:\winnt\system32\version.dll
rsabase.dll 5.00.2150.1 128.77 KB (131,856 bytes) 12/7/1999 6:00:00 AM Microsoft Corporation c:\winnt\system32\rsabase.dll
mscat32.dll 5.131.2134.1 7.77 KB (7,952 bytes) 12/7/1999 6:00:00 AM Microsoft Corporation c:\winnt\system32\mscat32.dll
ole32.dll 5.00.2181.1 966.27 KB (989,456 bytes) 12/7/1999 6:00:00 AM Microsoft Corporation c:\winnt\system32\ole32.dll
imagehlp.dll 5.00.2195.1 125.27 KB (128,272 bytes) 12/7/1999 6:00:00 AM Microsoft Corporation c:\winnt\system32\imagehlp.dll
msasn1.dll 5.00.2134.1 51.27 KB (52,496 bytes) 12/7/1999 6:00:00 AM Microsoft Corporation c:\winnt\system32\msasn1.dll
crypt32.dll 5.131.2173.1 465.77 KB (476,944 bytes) 12/7/1999 6:00:00 AM Microsoft Corporation c:\winnt\system32\crypt32.dll
wintrust.dll 5.131.2143.1 162.27 KB (166,160 bytes) 12/7/1999 6:00:00 AM Microsoft Corporation c:\winnt\system32\wintrust.dll
setupapi.dll 5.00.2183.1 554.27 KB (567,568 bytes) 12/7/1999 6:00:00 AM Microsoft Corporation c:\winnt\system32\setupapi.dll
winmm.dll 5.00.2161.1 184.77 KB (189,200 bytes) 12/7/1999 6:00:00 AM Microsoft Corporation c:\winnt\system32\winmm.dll
comctl32.dll 5.81 540.27 KB (553,232 bytes) 12/7/1999 6:00:00 AM Microsoft Corporation c:\winnt\system32\comctl32.dll
shlwapi.dll 5.00.2920.0000 282.77 KB (289,552 bytes) 12/7/1999 6:00:00 AM Microsoft Corporation c:\winnt\system32\shlwapi.dll
shell32.dll 5.00.2920.0000 2.24 MB (2,352,400 bytes) 12/7/1999 6:00:00 AM Microsoft Corporation c:\winnt\system32\shell32.dll
msgina.dll 5.00.2191.1 309.77 KB (317,200 bytes) 12/7/1999 6:00:00 AM Microsoft Corporation c:\winnt\system32\msgina.dll
wsock32.dll 5.00.2152.1 21.27 KB (21,776 bytes) 12/7/1999 6:00:00 AM Microsoft Corporation c:\winnt\system32\wsock32.dll
dnsapi.dll 5.00.2181.1 129.77 KB (132,880 bytes) 12/7/1999 6:00:00 AM Microsoft Corporation c:\winnt\system32\dnsapi.dll
wldap32.dll 5.00.2168.1 155.77 KB (159,504 bytes) 12/7/1999 6:00:00 AM Microsoft Corporation c:\winnt\system32\wldap32.dll
ws2help.dll 5.00.2134.1 17.77 KB (18,192 bytes) 12/7/1999 6:00:00 AM Microsoft Corporation c:\winnt\system32\ws2help.dll
ws2_32.dll 5.00.2134.1 69.77 KB (71,440 bytes) 12/7/1999 6:00:00 AM Microsoft Corporation c:\winnt\system32\ws2_32.dll
samlib.dll 5.00.2160.1 46.27 KB (47,376 bytes) 12/7/1999 6:00:00 AM Microsoft Corporation c:\winnt\system32\samlib.dll
netrap.dll 5.00.2134.1 11.27 KB (11,536 bytes) 12/7/1999 6:00:00 AM Microsoft Corporation c:\winnt\system32\netrap.dll
netapi32.dll 5.00.2194.1 302.77 KB (310,032 bytes) 12/7/1999 6:00:00 AM Microsoft Corporation c:\winnt\system32\netapi32.dll

Appendix C – Tunable Parameters

```

profmap.dll 5.00.2181.1 29.27 KB (29,968 bytes) 12/7/1999 6:00:00 AM
    Microsoft Corporation c:\winnt\system32\profmap.dll
secur32.dll 5.00.2154.1 46.77 KB (47,888 bytes) 12/7/1999 6:00:00 AM
    Microsoft Corporation c:\winnt\system32\secur32.dll
sfc.dll 5.00.2164.1 84.27 KB (86,288 bytes) 12/7/1999 6:00:00 AM
    Microsoft Corporation c:\winnt\system32\sfc.dll
nddeapi.dll 5.00.2137.1 15.27 KB (15,632 bytes) 12/7/1999 6:00:00 AM
    Microsoft Corporation c:\winnt\system32\nddeapi.dll
userenv.dll 5.00.2185.1 361.27 KB (369,936 bytes) 12/7/1999 6:00:00
AM Microsoft Corporation c:\winnt\system32\userenv.dll
user32.dll 5.00.2180.1 393.27 KB (402,704 bytes) 12/7/1999 6:00:00
AM Microsoft Corporation c:\winnt\system32\user32.dll
gdi32.dll 5.00.2180.1 228.77 KB (234,256 bytes) 12/7/1999 6:00:00
AM Microsoft Corporation c:\winnt\system32\gdi32.dll
rpcrt4.dll 5.00.2193.1 434.27 KB (444,688 bytes) 12/7/1999 6:00:00
AM Microsoft Corporation c:\winnt\system32\rpcrt4.dll
advapi32.dll 5.00.2191.1 349.27 KB (357,648 bytes) 12/7/1999
6:00:00 AM Microsoft Corporation c:\winnt\system32\advapi32.dll
kernel32.dll 5.00.2191.1 715.27 KB (732,432 bytes) 12/7/1999
6:00:00 AM Microsoft Corporation c:\winnt\system32\kernel32.dll
msvcrt.dll 6.10.8637.0 288.09 KB (295,000 bytes) 12/7/1999 6:00:00
AM Microsoft Corporation c:\winnt\system32\msvcrt.dll
winlogon.exe 5.00.2182.1 173.27 KB (177,424 bytes) 12/7/1999
6:00:00 AM Microsoft Corporation c:\winnt\system32\winlogon.exe
sfcfiles.dll 5.00.2195.1 973.27 KB (996,624 bytes) 12/7/1999
6:00:00 AM Microsoft Corporation c:\winnt\system32\sfcfiles.dll
ntdll.dll 5.00.2163.1 469.77 KB (481,040 bytes) 12/7/1999 6:00:00
AM Microsoft Corporation c:\winnt\system32\ntdll.dll
smss.exe 5.00.2170.1 44.27 KB (45,328 bytes) 12/7/1999 6:00:00 AM
    Microsoft Corporation c:\winnt\system32\smss.exe

```

[Services]

Display Name	Name	State	Start Mode	Service Type	Path	Error
Control	Start Name	Tag ID				
Alerter	Alerter	Stopped	Manual	Share Process	c:\winnt\system32\services.exe	Normal LocalSystem 0
Application Management Process	AppMgmt	Stopped	Manual	Share	c:\winnt\system32\services.exe	Normal LocalSystem 0
Computer Browser	Browser	Stopped	Manual	Share Process	c:\winnt\system32\services.exe	Normal LocalSystem 0
Indexing Service	cisvc	Stopped	Manual	Share Process	c:\winnt\system32\cisvc.exe	Normal LocalSystem 0
ClipBook	ClipSrv	Stopped	Manual	Own Process	c:\winnt\system32\clipsrv.exe	Normal LocalSystem 0
Distributed File System	Dfs	Stopped	Manual	Own Process	c:\winnt\system32\dfssvc.exe	Normal LocalSystem 0
DHCP Client	Dhcp	Stopped	Manual	Share Process	c:\winnt\system32\services.exe	Normal LocalSystem 0
Logical Disk Manager	Administrative	Service	Manual	dmadmin	Stopped	c:\winnt\system32\dmadmin.exe /com Normal LocalSystem 0
Logical Disk Manager	dmserver	Running	Auto	Share Process	c:\winnt\system32\services.exe	Normal LocalSystem 0

Appendix C – Tunable Parameters

DNS Client	Dnscache	Stopped	Manual	Share Process	
	c:\winnt\system32\services.exe		Normal	LocalSystem	0
Event Log	Eventlog	Running	Auto	Share Process	
	c:\winnt\system32\services.exe		Normal	LocalSystem	0
COM+ Event System	EventSystem	Running	Manual	Share Process	
	c:\winnt\system32\svchost.exe	-k netsvcs	Normal	LocalSystem	0
Fax Service	Fax	Stopped	Manual	Own Process	
	c:\winnt\system32\faxsvc.exe		Normal	LocalSystem	0
cLAN Connection Manager	GniConMgr	Stopped	Manual	Own Process	
	c:\winnt\system32\gnconmgr.exe		Normal	LocalSystem	0
Internet Authentication Service	IAS	Stopped	Manual	Share Process	
	c:\winnt\system32\svchost.exe	-k netsvcs	Normal	LocalSystem	0
IIS Admin Service	IISADMIN	Running	Auto	Share Process	
	c:\winnt\system32\inetrv\inetinfo.exe		Normal	LocalSystem	0
Intersite Messaging	IsmServ	Stopped	Disabled	Own Process	
	c:\winnt\system32\ismserv.exe		Normal	LocalSystem	0
Kerberos Key Distribution Center	kdc	Stopped	Disabled	Share Process	
	c:\winnt\system32\lsass.exe		Normal	LocalSystem	0
Server	lanmanserver	Running	Auto	Share Process	
	c:\winnt\system32\services.exe		Normal	LocalSystem	0
Workstation	lanmanworkstation	Running	Auto	Share Process	
	c:\winnt\system32\services.exe		Normal	LocalSystem	0
License Logging Service	LicenseService	Stopped	Manual	Own Process	
	c:\winnt\system32\llssrv.exe		Normal	LocalSystem	0
TCP/IP NetBIOS Helper Service	LmHosts	Stopped	Manual	Share Process	
	c:\winnt\system32\services.exe		Normal	LocalSystem	0
Messenger	Messenger	Stopped	Manual	Share Process	
	c:\winnt\system32\services.exe		Normal	LocalSystem	0
NetMeeting Remote Desktop Sharing	mnmsrvc	Stopped	Manual	Own Process	
	c:\winnt\system32\mnmsrvc.exe		Normal	LocalSystem	0
Distributed Transaction Coordinator	MSDTC	Running	Auto	Own Process	
	c:\winnt\system32\msdtc.exe		Normal	LocalSystem	0
Windows Installer	MSIServer	Stopped	Manual	Share Process	
	c:\winnt\system32\msiexec.exe	/v	Normal	LocalSystem	0
Network DDE	NetDDE	Stopped	Manual	Share Process	
	c:\winnt\system32\netdde.exe		Normal	LocalSystem	0
Network DDE DSDM	NetDDEdsdm	Stopped	Manual	Share Process	
	c:\winnt\system32\netdde.exe		Normal	LocalSystem	0
Net Logon	Netlogon	Stopped	Manual	Share Process	
	c:\winnt\system32\lsass.exe		Normal	LocalSystem	0
Network Connections	Netman	Running	Manual	Share Process	
	c:\winnt\system32\svchost.exe	-k netsvcs	Normal	LocalSystem	0
File Replication	NtFrs	Stopped	Manual	Own Process	
	c:\winnt\system32\ntfrs.exe		Ignore	LocalSystem	0
NT LM Security Support Provider	NtLmSsp	Stopped	Manual	Share Process	
	c:\winnt\system32\lsass.exe		Normal	LocalSystem	0

Appendix C – Tunable Parameters

```

Removable Storage NtmsSvc      Stopped      Manual      Share Process
      c:\winnt\system32\svchost.exe -k netsvcs Normal      LocalSystem
0
Plug and Play      PlugPlay     Running     Auto      Share Process
      c:\winnt\system32\services.exe      Normal      LocalSystem 0
IPSEC Policy Agent      PolicyAgent Stopped     Manual      Share
Process      c:\winnt\system32\lsass.exe Normal      LocalSystem 0
Protected Storage ProtectedStorage Running     Auto      Share Process
      c:\winnt\system32\services.exe      Normal      LocalSystem 0
Remote Access Auto Connection Manager      RasAuto     Stopped
Manual      Share Process      c:\winnt\system32\svchost.exe -k
netsvcs Normal      LocalSystem 0
Remote Access Connection Manager      RasMan      Stopped     Manual
Share Process      c:\winnt\system32\svchost.exe -k netsvcs
Normal      LocalSystem 0
Routing and Remote Access      RemoteAccess Stopped     Disabled
Share Process      c:\winnt\system32\svchost.exe -k netsvcs
Normal      LocalSystem 0
Remote Registry Service RemoteRegistry Stopped     Manual      Own
Process      c:\winnt\system32\regsvc.exe Normal      LocalSystem 0
Remote Command Service RMSYS Stopped     Manual      Own Process
      c:\benchmark\rsys.exe Normal      LocalSystem 0
Remote Procedure Call (RPC) Locator RpcLocator Stopped     Manual
Own Process      c:\winnt\system32\locator.exe Normal      LocalSystem
0
Remote Procedure Call (RPC)      RpcSs      Running     Auto      Share Process
      c:\winnt\system32\svchost -k rpcss Normal      LocalSystem 0
QoS RSVP      RSVP      Running     Manual     Own Process
      c:\winnt\system32\rsvp.exe -s Normal      LocalSystem 0
Security Accounts Manager      SamSs      Running     Auto      Share Process
      c:\winnt\system32\lsass.exe Normal      LocalSystem 0
Smart Card Helper SCardDrv Stopped     Manual      Share Process
      c:\winnt\system32\scardsvr.exe Ignore      LocalSystem 0
Smart Card SCardSvr Stopped     Manual      Share Process
      c:\winnt\system32\scardsvr.exe Ignore      LocalSystem 0
Task Scheduler      Schedule    Stopped     Manual      Share Process
      c:\winnt\system32\mstask.exe Normal      LocalSystem 0
RunAs Service      seclogon   Stopped     Manual      Share Process
      c:\winnt\system32\services.exe Ignore      LocalSystem 0
System Event Notification SENS Stopped     Manual      Share
Process      c:\winnt\system32\svchost.exe -k netsvcs Normal
LocalSystem 0
Internet Connection Sharing      SharedAccess Stopped     Manual
Share Process      c:\winnt\system32\svchost.exe -k netsvcs
Normal      LocalSystem 0
Simple TCP/IP Services SimpTcp Running     Auto      Share Process
      c:\winnt\system32\tcpsvcs.exe Normal      LocalSystem 0
Print Spooler      Spooler     Stopped     Manual      Own Process
      c:\winnt\system32\spoolsv.exe Normal      LocalSystem 0
Performance Logs and Alerts SysmonLog Stopped     Manual      Own
Process      c:\winnt\system32\smlogsvc.exe Normal      LocalSystem
0
Telephony      TapiSrv     Running     Manual      Share Process
      c:\winnt\system32\svchost.exe -k tapisrv Normal      LocalSystem
0

```

Appendix C – Tunable Parameters

Terminal Services	TermService	Stopped	Disabled	Own Process
	c:\winnt\system32\termsrv.exe	Normal	LocalSystem	0
Telnet	TlntSvr	Stopped	Manual	Own Process
	c:\winnt\system32\tlntsvr.exe	Normal	LocalSystem	0
Distributed Link Tracking Server	TrkSvr	Stopped	Manual	Share Process
	c:\winnt\system32\services.exe	Normal	LocalSystem	0
Distributed Link Tracking Client	TrkWks	Stopped	Manual	Share Process
	c:\winnt\system32\services.exe	Normal	LocalSystem	0
Uninterruptible Power Supply	UPS	Stopped	Manual	Own Process
	c:\winnt\system32\ups.exe	Normal	LocalSystem	0
Utility Manager	UtilMan	Stopped	Manual	Own Process
	c:\winnt\system32\utilman.exe	Normal	LocalSystem	0
Windows Time	W32Time	Stopped	Manual	Share Process
	c:\winnt\system32\services.exe	Normal	LocalSystem	0
World Wide Web Publishing Service	W3SVC	Running	Auto	Share Process
	c:\winnt\system32\inet_srv\inetinfo.exe	Normal	LocalSystem	0
Windows Management Instrumentation	WinMgmt	Running	Auto	Own Process
	c:\winnt\system32\wbem\winmgmt.exe	Ignore	LocalSystem	0
Windows Management Instrumentation Driver Extensions	Wmi	Running	Manual	Share Process
	c:\winnt\system32\services.exe	Normal	LocalSystem	0

[Program Groups]

Group Name	Name	User Name
Accessories	Default	User:Accessories Default User
Accessories\Accessibility	Default	User:Accessories\Accessibility Default User
Accessories\Entertainment	Default	User:Accessories\Entertainment Default User
Accessories\System Tools	Default	User:Accessories\System Tools Default User
Administrative Tools	Default	User:Administrative Tools Default User
Startup	Default	User:Startup Default User
Accessories All Users	Accessories	All Users
Accessories\Accessibility	All Users	:Accessories\Accessibility All Users
Accessories\Communications	All Users	:Accessories\Communications All Users
Accessories\Entertainment	All Users	:Accessories\Entertainment All Users
Accessories\Games	All Users	:Accessories\Games All Users
Accessories\System Tools	All Users	:Accessories\System Tools All Users
Administrative Tools	All Users	:Administrative Tools All Users
Microsoft Office Tools	All Users	:Microsoft Office Tools All Users
Microsoft SQL Server	All Users	:Microsoft SQL Server All Users
MKS Toolkit	All Users	:MKS Toolkit All Users
Startup	All Users	:Startup All Users
WinZip	All Users	:WinZip All Users

Appendix C – Tunable Parameters

Accessories CLIENT2\Administrator:Accessories CLIENT2\Administrator
Accessories\Accessibility
 CLIENT2\Administrator:Accessories\Accessibility
 CLIENT2\Administrator
Accessories\Entertainment
 CLIENT2\Administrator:Accessories\Entertainment
 CLIENT2\Administrator
Accessories\System Tools CLIENT2\Administrator:Accessories\System
Tools CLIENT2\Administrator
Administrative Tools CLIENT2\Administrator:Administrative Tools
 CLIENT2\Administrator
Startup CLIENT2\Administrator:Startup CLIENT2\Administrator

[Startup Programs]

Program	Command	User Name	Location
Microsoft Office	c:\progra~1\micros~3\office\osa9.exe -b -l	All	
Users Common Startup			

[OLE Registration]

Object	Local Server
Microsoft Graph 2000 Chart	C:\PROGRA~1\MICROS~3\Office\GRAPH9.EXE
Microsoft Excel Worksheet	Not Available
Microsoft Excel Chart	Not Available
Microsoft Excel Worksheet	C:\PROGRA~1\MICROS~3\Office\EXCEL.EXE
Microsoft Excel Chart	C:\PROGRA~1\MICROS~3\Office\EXCEL.EXE
Microsoft Word 6.0 - 7.0 Document	Not Available
Microsoft Word 6.0 - 7.0 Picture	Not Available
Microsoft Word Document	C:\PROGRA~1\MICROS~3\Office\WINWORD.EXE
Microsoft Word Picture	C:\PROGRA~1\MICROS~3\Office\WINWORD.EXE
Sound (OLE2)	sndrec32.exe
Microsoft Clip Gallery	C:\PROGRA~1\COMMON~1\MICROS~1\Artgalry\artgalrY.exe
Media Clip	mplay32.exe
Video Clip	mplay32.exe /avi
MIDI Sequence	mplay32.exe /mid
	Not Available
Microsoft Excel Chart	Not Available
Microsoft Excel 4.0 Macro	Not Available
Sound	Not Available
Media Clip	Not Available
	Not Available
	Not Available
Image Document	"C:\Program Files\Windows NT\Accessories\ImageVue\KodakImg.exe"
Microsoft PowerPoint Presentation	C:\PROGRA~1\MICROS~3\Office\POWERPNT.EXE
Microsoft PowerPoint Slide	C:\PROGRA~1\MICROS~3\Office\POWERPNT.EXE
WordPad Document	"%ProgramFiles%\Windows NT\Accessories\WORDPAD.EXE"
Windows Media Services DRM Storage object	Not Available
Bitmap Image	C:\WINNT\System32\mspaint.exe
	Not Available
	Not Available

Appendix C – Tunable Parameters

[Internet Explorer 5]

[Following are sub-categories of this main category]

[Summary]

Item Value
Version 5.00.2920.0000
Build 52920
Product ID 51876-OEM-0000007-00000
Application Path C:\Program Files\Internet Explorer
Language English (United States)
Active Printer Not Available

Cipher Strength 56-bit
Content Advisor Disabled
IEAK Install No

[File Versions]

File	Version	Size	Date	Path	Company
advapi32.dll	5.0.2191.1	349 KB	12/7/1999 7:00:00 AM	C:\WINNT\system32	Microsoft Corporation
advapi32.dll	5.0.2191.1	349 KB	12/7/1999 7:00:00 AM	.	Microsoft Corporation
advpack.dll	5.0.2920.0	87 KB	12/7/1999 7:00:00 AM	C:\WINNT\system32	Microsoft Corporation
advpack.dll	5.0.2920.0	87 KB	12/7/1999 7:00:00 AM	.	Microsoft Corporation
browseui.dll	5.0.2920.0	793 KB	12/7/1999 7:00:00 AM	C:\WINNT\system32	Microsoft Corporation
browseui.dll	5.0.2920.0	793 KB	12/7/1999 7:00:00 AM	.	Microsoft Corporation
ckcnv.exe	5.0.2189.1	9 KB	12/7/1999 7:00:00 AM	C:\WINNT\system32	Microsoft Corporation
ckcnv.exe	5.0.2189.1	9 KB	12/7/1999 7:00:00 AM	.	Microsoft Corporation
comctl32.dll	5.81.2920.0	540 KB	12/7/1999 7:00:00 AM	C:\WINNT\system32	Microsoft Corporation
comctl32.dll	5.81.2920.0	540 KB	12/7/1999 7:00:00 AM	.	Microsoft Corporation
crypt32.dll	5.131.2173.1	466 KB	12/7/1999 7:00:00 AM	C:\WINNT\system32	Microsoft Corporation
crypt32.dll	5.131.2173.1	466 KB	12/7/1999 7:00:00 AM	.	Microsoft Corporation
enhsg.dll	<File Missing>	Not Available	Not Available	Not Available	Not Available
iemigrat.dll	<File Missing>	Not Available	Not Available	Not Available	Not Available
iesetup.dll	5.0.2920.0	57 KB	12/7/1999 7:00:00 AM	C:\WINNT\system32	Microsoft Corporation

Appendix C – Tunable Parameters

iesetup.dll	5.0.2920.0	57 KB	12/7/1999 7:00:00 AM	.	Microsoft Corporation
iexplore.exe	5.0.2920.0	59 KB	12/7/1999 7:00:00 AM		C:\Program Files\Internet Explorer Microsoft Corporation
imagehlp.dll	5.0.2195.1	125 KB	12/7/1999 7:00:00 AM		C:\WINNT\system32 Microsoft Corporation
imagehlp.dll	5.0.2195.1	125 KB	12/7/1999 7:00:00 AM	.	Microsoft Corporation
imghelp.dll	<File Missing>	Not Available	Not Available	Not Available	Not Available
inseng.dll	5.0.2920.0	72 KB	12/7/1999 7:00:00 AM		C:\WINNT\system32 Microsoft Corporation
inseng.dll	5.0.2920.0	72 KB	12/7/1999 7:00:00 AM	.	Microsoft Corporation
jobexec.dll	5.0.0.1	47 KB	12/7/1999 7:00:00 AM		C:\WINNT\system32 Microsoft Corporation
jobexec.dll	5.0.0.1	47 KB	12/7/1999 7:00:00 AM	.	Microsoft Corporation
jscript.dll	5.1.0.4615	476 KB	12/7/1999 7:00:00 AM		C:\WINNT\system32 Microsoft Corporation
jscript.dll	5.1.0.4615	476 KB	12/7/1999 7:00:00 AM	.	Microsoft Corporation
jsproxy.dll	5.0.2920.0	13 KB	12/7/1999 7:00:00 AM		C:\WINNT\system32 Microsoft Corporation
jsproxy.dll	5.0.2920.0	13 KB	12/7/1999 7:00:00 AM	.	Microsoft Corporation
mssahtml.dll	<File Missing>	Not Available	Not Available	Not Available	Not Available
mshtml.dll	5.0.2920.0	2302 KB	12/7/1999 7:00:00 AM		C:\WINNT\system32 Microsoft Corporation
mshtml.dll	5.0.2920.0	2302 KB	12/7/1999 7:00:00 AM	.	Microsoft Corporation
msjava.dll	5.0.3234.0	918 KB	12/7/1999 7:00:00 AM		C:\WINNT\system32 Microsoft Corporation
msjava.dll	5.0.3234.0	918 KB	12/7/1999 7:00:00 AM	.	Microsoft Corporation
msoss.dll	<File Missing>	Not Available	Not Available	Not Available	Not Available
msxml.dll	5.0.2920.0	521 KB	12/7/1999 7:00:00 AM		C:\WINNT\system32 Microsoft Corporation
msxml.dll	5.0.2920.0	521 KB	12/7/1999 7:00:00 AM	.	Microsoft Corporation
occache.dll	5.0.2920.0	86 KB	12/7/1999 7:00:00 AM		C:\WINNT\system32 Microsoft Corporation
occache.dll	5.0.2920.0	86 KB	12/7/1999 7:00:00 AM	.	Microsoft Corporation
ole32.dll	5.0.2181.1	966 KB	12/7/1999 7:00:00 AM		C:\WINNT\system32 Microsoft Corporation
ole32.dll	5.0.2181.1	966 KB	12/7/1999 7:00:00 AM	.	Microsoft Corporation
oleaut32.dll	2.40.4512.1	600 KB	12/7/1999 7:00:00 AM		C:\WINNT\system32 Microsoft Corporation
oleaut32.dll	2.40.4512.1	600 KB	12/7/1999 7:00:00 AM	.	Microsoft Corporation

Appendix C – Tunable Parameters

```

olepro32.dll      5.0.4512.1 160 KB      12/7/1999 7:00:00 AM
                  C:\WINNT\system32 Microsoft Corporation
olepro32.dll      5.0.4512.1 160 KB      12/7/1999 7:00:00 AM      .
                  Microsoft Corporation
rsabase.dll 5.0.2150.1 129 KB      12/7/1999 7:00:00 AM
                  C:\WINNT\system32 Microsoft Corporation
rsabase.dll 5.0.2150.1 129 KB      12/7/1999 7:00:00 AM      .
                  Microsoft Corporation
rsaenh.dll <File Missing> Not Available Not Available Not
Available Not Available
rsapi32.dll <File Missing> Not Available Not Available Not
Available Not Available
rsasig.dll <File Missing> Not Available Not Available Not
Available Not Available
schannel.dll      5.0.2170.0 140 KB      12/7/1999 7:00:00 AM
                  C:\WINNT\system32 Microsoft Corporation
schannel.dll      5.0.2170.0 140 KB      12/7/1999 7:00:00 AM      .
                  Microsoft Corporation
shdoc401.dll      <File Missing> Not Available Not Available
Not Available Not Available
shdocvw.dll 5.0.2920.0 1078 KB     12/7/1999 7:00:00 AM
                  C:\WINNT\system32 Microsoft Corporation
shdocvw.dll 5.0.2920.0 1078 KB     12/7/1999 7:00:00 AM      .
                  Microsoft Corporation
shell32.dll 5.0.2920.0 2297 KB     12/7/1999 7:00:00 AM
                  C:\WINNT\system32 Microsoft Corporation
shell32.dll 5.0.2920.0 2297 KB     12/7/1999 7:00:00 AM      .
                  Microsoft Corporation
shlwapi.dll 5.0.2920.0 283 KB      12/7/1999 7:00:00 AM
                  C:\WINNT\system32 Microsoft Corporation
shlwapi.dll 5.0.2920.0 283 KB      12/7/1999 7:00:00 AM      .
                  Microsoft Corporation
url.dll 5.0.2920.0 82 KB 12/7/1999 7:00:00 AM C:\WINNT\system32
                  Microsoft Corporation
url.dll 5.0.2920.0 82 KB 12/7/1999 7:00:00 AM      . Microsoft
Corporation
urlmon.dll 5.0.2920.0 427 KB      12/7/1999 7:00:00 AM
                  C:\WINNT\system32 Microsoft Corporation
urlmon.dll 5.0.2920.0 427 KB      12/7/1999 7:00:00 AM      .
                  Microsoft Corporation
vbscript.dll      5.1.0.4615 428 KB      12/7/1999 7:00:00 AM
                  C:\WINNT\system32 Microsoft Corporation
vbscript.dll      5.1.0.4615 428 KB      12/7/1999 7:00:00 AM      .
                  Microsoft Corporation
webcheck.dll      5.0.2920.0 252 KB      12/7/1999 7:00:00 AM
                  C:\WINNT\system32 Microsoft Corporation
webcheck.dll      5.0.2920.0 252 KB      12/7/1999 7:00:00 AM      .
                  Microsoft Corporation
win.com 5.0.2134.1 24 KB 12/7/1999 7:00:00 AM C:\WINNT\system32
                  Microsoft Corporation
win.com 5.0.2134.1 24 KB 12/7/1999 7:00:00 AM      . Microsoft
Corporation
wininet.dll 5.0.2920.0 457 KB      12/7/1999 7:00:00 AM
                  C:\WINNT\system32 Microsoft Corporation

```

Appendix C – Tunable Parameters

wininet.dll	5.0.2920.0	457 KB	12/7/1999 7:00:00 AM	.	
	Microsoft Corporation				
winsock.dll	3.10.0.103	3 KB	12/7/1999 7:00:00 AM	C:\WINNT\system32	
	Microsoft Corporation				
winsock.dll	3.10.0.103	3 KB	12/7/1999 7:00:00 AM	.	Microsoft Corporation
wintrust.dll	5.131.2143.1	162 KB	12/7/1999 7:00:00 AM		
	C:\WINNT\system32 Microsoft Corporation				
wintrust.dll	5.131.2143.1	162 KB	12/7/1999 7:00:00 AM		
	Microsoft Corporation				
wsock.vxd	<File Missing>	Not Available	Not Available	Not Available	Not Available
wsock32.dll	5.0.2152.1	21 KB	12/7/1999 7:00:00 AM	C:\WINNT\system32	
	Microsoft Corporation				
wsock32.dll	5.0.2152.1	21 KB	12/7/1999 7:00:00 AM	.	Microsoft Corporation
wsock32n.dll	<File Missing>	Not Available	Not Available	Not Available	Not Available
	Not Available	Not Available			

[Connectivity]

Item	Value
Connection Preference	Never dial
EnableHttp1.1	1
ProxyHttp1.1	0

LAN Settings

AutoConfigProxy	Not Available
AutoProxyDetectMode	Enabled
AutoConfigURL	
Proxy	Disabled
ProxyServer	
ProxyOverride	

[Cache]

[Following are sub-categories of this main category]

[Summary]

Item	Value
Page Refresh Type	Automatic
Temporary Internet Files Folder	C:\Documents and Settings\Administrator\Local Settings\Temporary Internet Files
Total Disk Space	4345 MB
Available Disk Space	1221 MB
Maximum Cache Size	135 MB
Available Cache Size	135 MB

[List of Objects]

Program File	Status	CodeBase
No cached object information available		

Appendix C – Tunable Parameters

[Content]

[Following are sub-categories of this main category]

[Summary]

Item Value
Content Advisor Disabled

[Personal Certificates]

Issued To	Issued By	Validity	Signature Algorithm
Administrator	Administrator	2/16/2001 to 1/23/2101	sha1RSA

[Other People Certificates]

Issued To	Issued By	Validity	Signature Algorithm
No other people certificate information available			

[Publishers]

Name
No publisher information available

[Security]

Zone	Security Level
Local intranet	Medium-low
Trusted sites	Low
Internet	Medium
Restricted sites	High

[Applications]

[Microsoft Word 2000]

[Summary]

Item Value
Microsoft Word 2000 has not been started or is not installed. Install and/or start application then press F5 to refresh.

[Active Document]

Item Value
Microsoft Word 2000 has not been started or is not installed. Install and/or start application then press F5 to refresh.

[Fields]

Item Value

Appendix C – Tunable Parameters

Microsoft Word 2000 has not been started or is not installed. Install and/or start application then press F5 to refresh.

[File Converters]

Item Value

Microsoft Word 2000 has not been started or is not installed. Install and/or start application then press F5 to refresh.

[Fonts]

Item Value

Microsoft Word 2000 has not been started or is not installed. Install and/or start application then press F5 to refresh.

[Headers and Footers]

Item Value

Microsoft Word 2000 has not been started or is not installed. Install and/or start application then press F5 to refresh.

[Hyperlinks]

Item Value

Microsoft Word 2000 has not been started or is not installed. Install and/or start application then press F5 to refresh.

[Mail Merge]

Item Value

Microsoft Word 2000 has not been started or is not installed. Install and/or start application then press F5 to refresh.

[Page Numbers]

Item Value

Microsoft Word 2000 has not been started or is not installed. Install and/or start application then press F5 to refresh.

[Page Setup]

Item Value

Microsoft Word 2000 has not been started or is not installed. Install and/or start application then press F5 to refresh.

[Styles]

Item Value

Microsoft Word 2000 has not been started or is not installed. Install and/or start application then press F5 to refresh.

[Settings]

Item Value

Appendix C – Tunable Parameters

Microsoft Word 2000 has not been started or is not installed. Install and/or start application then press F5 to refresh.

[Tables]

Item Value

Microsoft Word 2000 has not been started or is not installed. Install and/or start application then press F5 to refresh.

[Microsoft Excel 2000]

[Summary]

Item Value

Microsoft Excel 2000 has not been started or is not installed. Install and/or start application then press F5 to refresh.

[Active Workbook]

Item Value

Microsoft Excel 2000 has not been started or is not installed. Install and/or start application then press F5 to refresh.

[Add-Ins]

Item Value

Microsoft Excel 2000 has not been started or is not installed. Install and/or start application then press F5 to refresh.

[Charts in Active Workbook]

Item Value

Microsoft Excel 2000 has not been started or is not installed. Install and/or start application then press F5 to refresh.

[Microsoft PowerPoint 2000]

[Summary]

Item Value

Microsoft PowerPoint 2000 has not been started or is not installed. Install and/or start application then press F5 to refresh.

[Active Presentation]

Item Value

Microsoft PowerPoint 2000 has not been started or is not installed. Install and/or start application then press F5 to refresh.

[Microsoft Outlook 2000]

Appendix C – Tunable Parameters

[Summary]

Item Value

Microsoft Outlook 2000 has not been started or is not installed.
Install and/or start application then press F5 to refresh.

[Microsoft Access 2000]

[Summary]

Item Value

Microsoft Access 2000 has not been started or is not installed. Install
and/or start application then press F5 to refresh.

[Microsoft Publisher 2000]

[Summary]

Item Value

Microsoft Publisher 2000 has not been started or is not installed.
Install and/or start application then press F5 to refresh.

[Microsoft FrontPage 2000]

[Summary]

Item Value

Microsoft FrontPage 2000 has not been started or is not installed.
Install and/or start application then press F5 to refresh.

[Active Web]

Item Value

Microsoft FrontPage 2000 has not been started or is not installed.
Install and/or start application then press F5 to refresh.

[Active Page]

Item Value

Microsoft FrontPage 2000 has not been started or is not installed.
Install and/or start application then press F5 to refresh.

[COM Add-Ins]

Item Value

Microsoft FrontPage 2000 has not been started or is not installed.
Install and/or start application then press F5 to refresh.

Appendix C – Tunable Parameters

[Themes]

Item Value

Microsoft FrontPage 2000 has not been started or is not installed.
Install and/or start application then press F5 to refresh.

[Microsoft Office Environment]

[Last Web Connection Error]

Item Value

No error messages have been generated

[Local Web Server Extensions]

Item Value

Server type msiis

Port number /LM/W3SVC/1:

Version 4.0.2.3406

Path C:\Program Files\Common Files\Microsoft Shared\Web Server
Extensions\40

[Transport]

Item Value

Microsoft OLE DB Provider for Internet Publishing True

Microsoft Office Internet Publishing False

[ODBC Drivers]

[Core Components]

Item Value

Description Administrator

Version 3.520.6526.0

File C:\WINNT\System32\odbccp32.dll

Description Control Panel Device

Version 3.520.6526.0

File C:\WINNT\System32\odbccp32.cpl

Description Control Panel Startup

Version 3.520.6526.0

File C:\WINNT\System32\odbcad32.exe

Description Cursor Library

Version 3.520.6526.0

File C:\WINNT\System32\odbccr32.dll

Appendix C – Tunable Parameters

Description Driver Manager
Version 3.520.6526.0
File C:\WINNT\System32\odbc32.dll

Description Localized Resource DLL
Version 3.520.6526.0
File C:\WINNT\System32\odbcint.dll

Description Unicode Cursor Library
Version 3.520.6526.0
File C:\WINNT\System32\odbccu32.dll

[Drivers]

Item Value

Name SQL Server
File SQLSRV32.dll
Date 8/6/2000 2:51:44 AM
Version 2000.80.194.0

Name Microsoft Access Driver (*.mdb)
File odbcjt32.dll
Date 12/7/1999 7:00:00 AM
Version 4.0.4403.2

Name Microsoft Text Driver (*.txt; *.csv)
File odbcjt32.dll
Date 12/7/1999 7:00:00 AM
Version 4.0.4403.2

Name Microsoft Excel Driver (*.xls)
File odbcjt32.dll
Date 12/7/1999 7:00:00 AM
Version 4.0.4403.2

Name Microsoft dBase Driver (*.dbf)
File odbcjt32.dll
Date 12/7/1999 7:00:00 AM
Version 4.0.4403.2

Name Microsoft Paradox Driver (*.db)
File odbcjt32.dll
Date 12/7/1999 7:00:00 AM
Version 4.0.4403.2

Name Microsoft Visual FoxPro Driver
File vfpodbc.dll
Date 12/7/1999 7:00:00 AM
Version 6.1.8629.1

Name Microsoft FoxPro VFP Driver (*.dbf)
File vfpodbc.dll
Date 12/7/1999 7:00:00 AM
Version 6.1.8629.1

Appendix C – Tunable Parameters

Name Microsoft dBase VFP Driver (*.dbf)
File vfpodbc.dll
Date 12/7/1999 7:00:00 AM
Version 6.1.8629.1

Name Microsoft Access-Treiber (*.mdb)
File odbcjt32.dll
Date 12/7/1999 7:00:00 AM
Version 4.0.4403.2

Name Microsoft Text-Treiber (*.txt; *.csv)
File odbcjt32.dll
Date 12/7/1999 7:00:00 AM
Version 4.0.4403.2

Name Microsoft Excel-Treiber (*.xls)
File odbcjt32.dll
Date 12/7/1999 7:00:00 AM
Version 4.0.4403.2

Name Microsoft dBase-Treiber (*.dbf)
File odbcjt32.dll
Date 12/7/1999 7:00:00 AM
Version 4.0.4403.2

Name Microsoft Paradox-Treiber (*.db)
File odbcjt32.dll
Date 12/7/1999 7:00:00 AM
Version 4.0.4403.2

Name Microsoft Visual FoxPro-Treiber
File vfpodbc.dll
Date 12/7/1999 7:00:00 AM
Version 6.1.8629.1

Name Driver do Microsoft Access (*.mdb)
File odbcjt32.dll
Date 12/7/1999 7:00:00 AM
Version 4.0.4403.2

Name Driver da Microsoft para arquivos texto (*.txt; *.csv)
File odbcjt32.dll
Date 12/7/1999 7:00:00 AM
Version 4.0.4403.2

Name Driver do Microsoft Excel(*.xls)
File odbcjt32.dll
Date 12/7/1999 7:00:00 AM
Version 4.0.4403.2

Name Driver do Microsoft dBase (*.dbf)
File odbcjt32.dll
Date 12/7/1999 7:00:00 AM
Version 4.0.4403.2

Appendix C – Tunable Parameters

Name Driver do Microsoft Paradox (*.db)
File odbcjt32.dll
Date 12/7/1999 7:00:00 AM
Version 4.0.4403.2

Name Driver para o Microsoft Visual FoxPro
File vfpodbc.dll
Date 12/7/1999 7:00:00 AM
Version 6.1.8629.1

Name Microsoft ODBC for Oracle
File msorcl32.dll
Date 7/26/2000 4:37:04 PM
Version 2.573.6526.0

[OLE DB Providers]

Item	Value
Microsoft OLE DB Provider for SQL Server	2000.80.194.0
MSDataShape	2.60.6526.0
OLE DB Provider for Microsoft Directory Services	5.0.2172.1
Microsoft OLE DB Provider for OLAP Services	7.0.1073.1114
Microsoft OLE DB Provider for OLAP Services	7.0.1073.1114
Microsoft OLE DB Provider for Internet Publishing	8.103.2016.0
Microsoft OLE DB Provider for ODBC Drivers	2.60.6526.0
Microsoft OLE DB Enumerator for ODBC Drivers	2.60.6526.0
Microsoft Jet 4.0 OLE DB Provider	4.0.2927.2
Microsoft OLE DB Enumerator for SQL Server	2000.80.194.0
Microsoft OLE DB Simple Provider	2.60.6526.0
Microsoft OLE DB Provider for Oracle	2.60.6526.0
Microsoft OLE DB Provider for Indexing Service	5.0.2135.1

Appendix C – Tunable Parameters

RTE Input Parameters

BenchCraft Configuration File

Profile: 2808_18_3_01
File Path: C:\benchcrf_421\2808_18_3_01.pro
Version: 1.0.1

Number of Engines: 6

Name: DRIVER1
Description: RTE1
Directory: c:\tpcclog\rte1.log
Machine: RTE1
Parameter Set: PARAM2
Index: 0
Seed: 11257
Configured Users: 4680
Pipe Name: DRIVER112029367
Connect Rate: 2000
Start Rate: 0
CLIENT_NURAND: 208
CPU: 0

Name: DRIVER2
Description: RTE2
Directory: c:\tpcclog\rte2.log
Machine: RTE2
Parameter Set: PARAM2
Index: 100000000
Seed: 11257
Configured Users: 4680
Pipe Name: DRIVER212324862
Connect Rate: 2000
Start Rate: 0
CLIENT_NURAND: 208
CPU: 0

Name: DRIVER3
Description: RTE3
Directory: c:\tpcclog\rte3.log
Machine: RTE3
Parameter Set: PARAM2
Index: 200000000
Seed: 11257
Configured Users: 4680
Pipe Name: DRIVER312355025
Connect Rate: 2000
Start Rate: 0
CLIENT_NURAND: 208
CPU: 0

Appendix C – Tunable Parameters

Name: DRIVER4
Description: RTE4
Directory: c:\tpcclog\rte4.log
Machine: RTE4
Parameter Set: PARAM2
Index: 300000000
Seed: 11257
Configured Users: 4680
Pipe Name: DRIVER412388303
Connect Rate: 2000
Start Rate: 0
CLIENT_NURAND: 208
CPU: 0

Name: DRIVER5
Description: RTE5
Directory: c:\tpcclog\rte5.log
Machine: RTE5
Parameter Set: PARAM2
Index: 400000000
Seed: 11257
Configured Users: 4680
Pipe Name: DRIVER512418176
Connect Rate: 2000
Start Rate: 0
CLIENT_NURAND: 208
CPU: 0

Name: DRIVER6
Description: RTE6
Directory: c:\tpcclog\rte6.log
Machine: RTE6
Parameter Set: PARAM2
Index: 500000000
Seed: 11257
Configured Users: 4680
Pipe Name: DRIVER612449902
Connect Rate: 2000
Start Rate: 0
CLIENT_NURAND: 208
CPU: 0

Number of User groups: 18

Driver Engine: DRIVER1
IIS Server: CLIENT2_1
SQL Server: PE6500
User: sa
Protocol: Html
w_id Range: 1 - 156
w_id Max Warehouse: 2808
Scale: Normal
User Count: 1560
District id: 1

Appendix C – Tunable Parameters

Scale Down: No

Driver Engine: DRIVER1
IIS Server: CLIENT3_1
SQL Server: PE6500
User: sa
Protocol: Html
w_id Range: 157 - 312
w_id Max Warehouse: 2808
Scale: Normal
User Count: 1560
District id: 1
Scale Down: No

Driver Engine: DRIVER1
IIS Server: CLIENT4_1
SQL Server: PE6500
User: sa
Protocol: Html
w_id Range: 313 - 468
w_id Max Warehouse: 2808
Scale: Normal
User Count: 1560
District id: 1
Scale Down: No

Driver Engine: DRIVER2
IIS Server: CLIENT2_1
SQL Server: PE6500
User: sa
Protocol: Html
w_id Range: 469 - 624
w_id Max Warehouse: 2808
Scale: Normal
User Count: 1560
District id: 1
Scale Down: No

Driver Engine: DRIVER2
IIS Server: CLIENT3_1
SQL Server: PE6500
User: sa
Protocol: Html
w_id Range: 625 - 780
w_id Max Warehouse: 2808
Scale: Normal
User Count: 1560
District id: 1
Scale Down: No

Driver Engine: DRIVER2
IIS Server: CLIENT4_1
SQL Server: PE6500
User: sa
Protocol: Html

Appendix C – Tunable Parameters

w_id Range: 781 - 936
w_id Max Warehouse: 2808
Scale: Normal
User Count: 1560
District id: 1
Scale Down: No

Driver Engine: DRIVER3
IIS Server: CLIENT2_1
SQL Server: PE6500
User: sa
Protocol: Html
w_id Range: 937 - 1092
w_id Max Warehouse: 2808
Scale: Normal
User Count: 1560
District id: 1
Scale Down: No

Driver Engine: DRIVER3
IIS Server: CLIENT3_1
SQL Server: PE6500
User: sa
Protocol: Html
w_id Range: 1093 - 1248
w_id Max Warehouse: 2808
Scale: Normal
User Count: 1560
District id: 1
Scale Down: No

Driver Engine: DRIVER3
IIS Server: CLIENT4_1
SQL Server: PE6500
User: sa
Protocol: Html
w_id Range: 1249 - 1404
w_id Max Warehouse: 2808
Scale: Normal
User Count: 1560
District id: 1
Scale Down: No

Driver Engine: DRIVER4
IIS Server: CLIENT2_1
SQL Server: PE6500
User: sa
Protocol: Html
w_id Range: 1405 - 1560
w_id Max Warehouse: 2808
Scale: Normal
User Count: 1560
District id: 1
Scale Down: No

Appendix C – Tunable Parameters

Driver Engine: DRIVER4
IIS Server: CLIENT3_1
SQL Server: PE6500
User: sa
Protocol: Html
w_id Range: 1561 - 1716
w_id Max Warehouse: 2808
Scale: Normal
User Count: 1560
District id: 1
Scale Down: No

Driver Engine: DRIVER4
IIS Server: CLIENT4_1
SQL Server: PE6500
User: sa
Protocol: Html
w_id Range: 1717 - 1872
w_id Max Warehouse: 2808
Scale: Normal
User Count: 1560
District id: 1
Scale Down: No

Driver Engine: DRIVER5
IIS Server: CLIENT2_1
SQL Server: PE6500
User: sa
Protocol: Html
w_id Range: 1873 - 2028
w_id Max Warehouse: 2808
Scale: Normal
User Count: 1560
District id: 1
Scale Down: No

Driver Engine: DRIVER5
IIS Server: CLIENT3_1
SQL Server: PE6500
User: sa
Protocol: Html
w_id Range: 2029 - 2184
w_id Max Warehouse: 2808
Scale: Normal
User Count: 1560
District id: 1
Scale Down: No

Driver Engine: DRIVER5
IIS Server: CLIENT4_1
SQL Server: PE6500
User: sa
Protocol: Html
w_id Range: 2185 - 2340
w_id Max Warehouse: 2808

Appendix C – Tunable Parameters

Scale: Normal
User Count: 1560
District id: 1
Scale Down: No

Driver Engine: DRIVER6
IIS Server: CLIENT2_1
SQL Server: PE6500
User: sa
Protocol: Html
w_id Range: 2341 - 2496
w_id Max Warehouse: 2808
Scale: Normal
User Count: 1560
District id: 1
Scale Down: No

Driver Engine: DRIVER6
IIS Server: CLIENT3_1
SQL Server: PE6500
User: sa
Protocol: Html
w_id Range: 2497 - 2652
w_id Max Warehouse: 2808
Scale: Normal
User Count: 1560
District id: 1
Scale Down: No

Driver Engine: DRIVER6
IIS Server: CLIENT4_1
SQL Server: PE6500
User: sa
Protocol: Html
w_id Range: 2653 - 2808
w_id Max Warehouse: 2808
Scale: Normal
User Count: 1560
District id: 1
Scale Down: No

Number of Parameter Sets: 2

PARAM2

Slightly tweaked parameter set

	Txn Weight	Think Time	Key Time	RT Delay	RT Delay	Menu Fence	Menu Delay
New Order	44.84	12.04	12.04	18.02	0.10	5.00	0.10
Payment	43.04	12.04	12.04	3.02	0.10	5.00	0.10
Delivery	4.04	5.04	5.04	2.02	0.10	5.00	0.10
Stock Level	4.04	5.04	5.04	2.02	0.10	20.00	0.10
Order Status	4.04	10.04	10.04	2.02	0.10	5.00	0.10

Appendix C – Tunable Parameters

~Default

Default Parameter Set

	Txn	Think	Key	RT	RT	Menu	
	Weight	Time	Time	Delay	Fence	Delay	
New Order	10.00	10.00	12.05	18.01	0.10	5.00	0.10
Payment	10.00	10.00	12.05	3.01	0.10	5.00	0.10
Delivery	1.00	1.00	5.05	2.01	0.10	5.00	0.10
Stock Level	1.00	1.00	5.05	2.01	0.10	20.00	0.10
Order Status	1.00	1.00	10.05	2.01	0.10	5.00	0.10

Appendix D – Disk Storage

Appendix D – Disk Storage

TPC-C 180 Day Space Requirements						
Warehouses	1000				TpmC	34,914.92
Table	Rows	Data KB	Index KB	Extra 5% KB	8hr Space	Total Space KB
Warehouse	3000	320	40	18		378
District	30000	3336	48	169		3553
Customer	90000000	65454552	3903072	3,467,881		72825505
History	90000000	5000008	80		2,793,198	5000088
NewOrder	27000000	426880	1016			427896
Orders	90000000	2758624	1254488		1,541,074	4013112
OrderLine	899996621	56249792	119096		31,423,312	56368888
Item	100000	9528	64	480		10072
Stock	300000000	96000000	179480	4,808,974		100988454
Total		225,903,040	5,457,384	8,277,522	35,757,584	239,637,946
MB						
Dynamic Space	62,508	Sum of Data for Order, Orderline and History				
Static Space	171,513	Sum of Data+Index+5%-Dynamic Space				
Free Space	na	Total Allocated Spac - (Dynamic + Static Space)				
Daily Growth	34,920	(Dynamic Space/(W*62.5))*tpmc				
Daily Spread	-	(Free Space -1.5*Daily Growth) Zero Assumed				
60 Day Space MB	2,266,684					
60 Day Space GB	2,213.56	GB				
Log Size	100,000	MB				
KB Per New Order	5.0455	KB				
8 hr log MB	82,577	MB				
8 hr log GB	80.6413	GB				
Space Usage	GB Needed	Disks Measured	GB Priced	Disk Size	Formatted Size	
60 Day Space DB	2,213.56	140	2402.40	18GB	17.160	
		0	0.00	9GB	8.195	
		0	0.00	4GB	3.999	
Total DB		140.00	2402.40	9GB		
8-hr log + mirror	161.2825	6	203.38	36GB	33.897	
OS, Swap	3	1	3.999	4GB		
Total Storage	2,377.84	GB	2,609.78	GB		

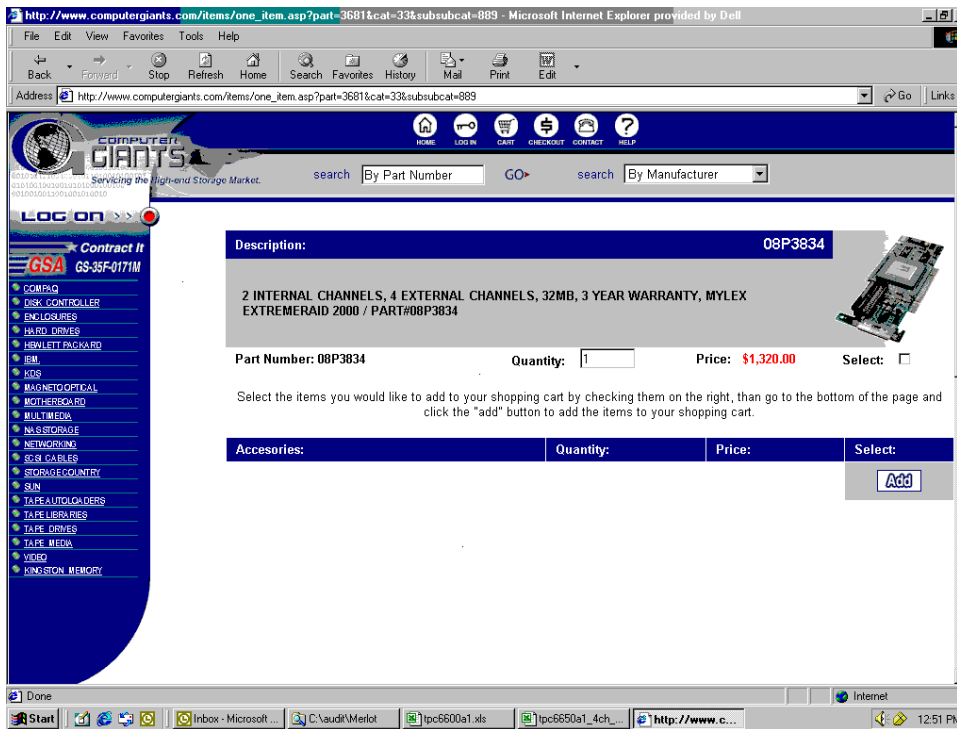
Appendix E – Price Quotations

Log Space OK	231.94	2,377.84
Total Space OK		

Appendix E – Price Quotations

Appendix E - Price Quotations

Mylex ExtremeRAID 2000 Quotation



Appendix E – Price Quotations

The screenshot shows a web browser window displaying the Computer Giants website. The browser's address bar shows the URL: http://www.computergiants.com/items/one_item.asp?part=7013&cat=33&subcat=878. The website header includes the Computer Giants logo and navigation links: HOME, LOGIN, CART, CHECKOUT, CONTACT, and HELP. A search bar is present with options to search by Part Number or By Manufacturer. A sidebar on the left lists various product categories such as COMPAQ, DISK CONTROLLER, ENCLUSURES, HARD DRIVES, HEWLETT PACKARD, IBM, IBS, MAGNETO OPTICAL, MOTHERBOARD, MULTIMEDIA, NAS STORAGE, NETWORKING, SCSI CABLES, STORAGE COUNTRY, SUN, TAPE AUTOCADERS, TAPE LIBRARIES, TAPE DRIVES, TAPE MEDIA, VIDEO, and KINGSTON MEMORY. The main content area features a product description for part number 08P2420: ACCELA RAID A352 2 CHANNEL PCI U160 SCSI RAID ADPTR 32MB NO BBU. Below the description, there is a table for accessories with columns for Accessories, Quantity, Price, and Select. The price for the main item is listed as \$598.00. An 'Add' button is visible at the bottom right of the accessories table.

Accessories:	Quantity:	Price:	Select:
			<input type="checkbox"/>

Appendix E – Price Quotations

Microsoft Corporation
One Microsoft Way
Redmond, WA 98052-6399

Tel 425 882 8080
Fax 425 936 7329
<http://www.microsoft.com/>

Microsoft

May 21, 2002

Dell Computer
Corporation
Nicholas Wakou
RR5
One Dell Way
Round Rock, TX 78682

Nicholas:

Here is the information you requested regarding pricing for several Microsoft products to be used in conjunction with your TPC-C benchmark testing.

All pricing shown is in US Dollars (\$).

Part Number	Description	Unit Price	Quantity	Price
810-00846	SQL Server 2000 Enterprise Edition <i>Per processor licensing</i> <i>Discount schedule: Open Program Level C</i>	\$16,541	4	\$66,164
C11-00821	Windows 2000 Server <i>Server license only - No CALs</i> <i>Discount schedule: Open Program - No Level</i>	\$738	3	\$2,214
C10-00475	Windows 2000 Advanced Server <i>Server license only - No CALs</i> <i>Discount schedule: Open Program - No Level</i>	\$2,399	1	\$2,399
048-00317	Visual C++ Professional 6.0 Win32	\$ 549	1	\$ 549
	3-year maintenance for above software	\$1,950	1	\$5,850

All products are currently orderable through Microsoft's normal distribution channels.

This quote is valid for the next 90 days.

If we can be of any further assistance, please contact Jamie Reding at (425) 703-0510 or jamiere@microsoft.com.

Reference ID: PCniwa0221057167

Please include this Reference ID in any correspondence regarding this price quote.